

Ciaz

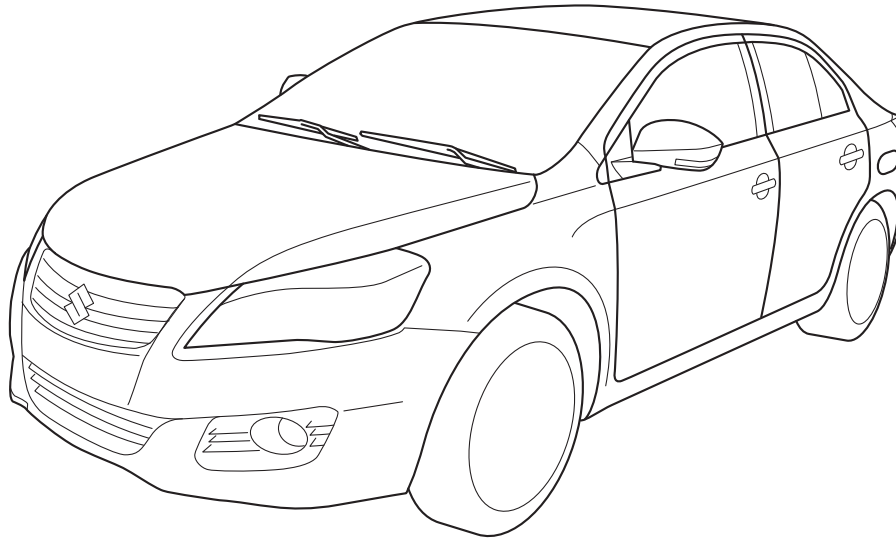
OWNER'S MANUAL

**Keep With Vehicle At All Times.
Contains Important Information
On Safety, Operation & Maintenance.**



Way of Life!

This owner's manual applies to the Ciaz series.



79PS1A001

NOTE: The illustrated model is one of the Ciaz series.

Copyright © **SUZUKI (MYANMAR) MOTOR CO., LTD.** 2017 All Rights Reserved
No part of this document may be reproduced or transmitted in any form or by any means, electronic or mechanical, for any purpose, without the express written permission of SUZUKI (MYANMAR) MOTOR CO., LTD.

FOREWORD

This manual should be considered a permanent part of the vehicle and should remain with the vehicle when resold or otherwise transferred to a new owner or operator. Please read this manual carefully before operating your new SUZUKI and review the manual from time to time. It contains important information on safety, operation and maintenance.

SUZUKI (MYANMAR) MOTOR CO., LTD.

All information in this manual is based on the latest product information available at the time of publication. Due to improvements or other changes, there may be discrepancies between information in this manual and your vehicle. SUZUKI (MYANMAR) MOTOR CO., LTD. reserves the right to make production changes at any time, without notice and without incurring any obligation to make the same or similar changes to vehicles previously built or sold.

This vehicle may not comply with standards or regulations of other countries. Before attempting to register this vehicle in any other country, check all applicable regulations and make any necessary modifications.

NOTE:

Please see the warning label of which name is "Air bag symbol meaning" in the "BEFORE DRIVING" section for a frontal protection air bag.

IMPORTANT

▲ WARNING/▲ CAUTION/NOTICE/NOTE

Please read this manual and follow its instructions carefully. To emphasize special information, the symbol ▲ and the words **WARNING**, **CAUTION**, **NOTICE** and **NOTE** have special meanings. Pay particular attention to messages highlighted by these signal words:

▲ WARNING

Indicates a potential hazard that could result in death or serious injury.

▲ CAUTION

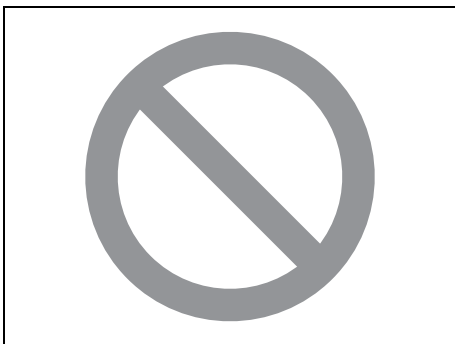
Indicates a potential hazard that could result in minor or moderate injury.

NOTICE

Indicates a potential hazard that could result in vehicle damage.

NOTE:

Indicates special information to make maintenance easier or instructions clearer.



75F135

The circle with a slash in this manual means “Don’t do this” or “Don’t let this happen”.

MODIFICATION WARNING

WARNING

Do not modify this vehicle. Modification could adversely affect safety, handling, performance, or durability and may violate governmental regulations. In addition, damage or performance problems resulting from modification may not be covered under warranty.

NOTICE

Improper installation of mobile communication equipment such as cellular telephones or CB (Citizen’s Band) radios may cause electronic interference with your vehicle’s ignition system, resulting in vehicle performance problems. Consult your SUZUKI dealer or qualified service technician for advice on installing such mobile communication equipment.

INTRODUCTION

Thank you for choosing SUZUKI and welcome to our growing family. Your choice was a wise one; SUZUKI products are a great value that will give you years of driving pleasure.

This Owner's Manual was prepared to help you have a safe, enjoyable, and trouble-free experience with your SUZUKI. In it you will learn about the vehicle's operation, its safety features and maintenance requirements. Please read it carefully before operating your vehicle. Afterwards, keep this Manual in the glove box for future reference.

Should you resell the vehicle, please leave this Manual with it for the next owner.

In addition to the Owner's Manual, the other booklets provided with your SUZUKI explain the vehicle's warranties. We recommend you read them as well to familiarize yourself with this important information.

When planning the regular scheduled maintenance of your SUZUKI, we recommend you visit your local SUZUKI dealership. Their factory-trained technicians will provide the best possible service and use only genuine SUZUKI parts and accessories.

RECOMMENDATION OF GENUINE SUZUKI PARTS AND ACCESSORIES USE

SUZUKI strongly recommends the use of genuine SUZUKI parts* and accessories. Genuine SUZUKI parts and accessories are built to the highest standards of quality and performance, and are designed to fit your vehicle's exact specifications.

A wide variety of non-genuine replacement parts and accessories for SUZUKI vehicles are currently available in the market. Using these parts and accessories can affect the vehicle performance and shorten its useful life. Therefore, installation of non-genuine SUZUKI parts and accessories is not covered under warranty.

Non-Genuine SUZUKI Parts and Accessories

Some parts and accessories may be approved by certain authorities in your country.

Some parts and accessories are sold as SUZUKI-authorized replacement parts and accessories. Some genuine SUZUKI parts and accessories are sold as re-use parts and accessories. These parts and accessories are non-genuine SUZUKI parts and accessories and use of these parts is not covered under warranty.

Re-use of Genuine SUZUKI Parts and Accessories

The resale or re-use of the following items which could give rise to safety hazards for users is expressly forbidden:

- Air bag components and all other pyrotechnic items, including their components (e.g. cushion, control devices and sensors)
- Seat belt system, including their components (e.g. webbing, buckles, and retractors)

The air bag and seat belt pretensioner components contain explosive chemicals. These components should be removed and disposed of properly by SUZUKI-authorized service shop or scrap yard to avoid unintended explosion before scrapping.

*The parts remanufactured under SUZUKI's approval can be used as genuine SUZUKI parts in Europe.



 **KEEP it REAL!**

Suzuki recommends genuine parts and oil/chemical to maintain high levels of safety, reliability, comfort and performance.

Periodic maintenance and the replacement of consumable parts and oil/chemicals are key for you to enjoy a safe and comfortable driving experience with your Suzuki for your many years to come.

Consumable parts range from oil filters to air filters, brake pads and oil/chemicals.

Suzuki recommends genuine parts. They're designed for Suzuki and are fully tested to maximize performance and service life.



Authorized Suzuki dealers will be pleased to help you with Suzuki service. With their expertise and experience, Suzuki dealers can offer you the best service to ensure a safe and comfortable driving experience.

SERVICE STATION GUIDE

1. Fuel (see section 1)
2. Engine hood (see section 5)
3. Tire changing tools (see section 8)
4. Engine oil dipstick <Yellow> (see section 7)
5. Automatic transaxle fluid dipstick <Orange> (see section 7)
6. Engine coolant (see section 7)
7. Windshield washer fluid (see section 7)
8. Battery (see section 7)
9. Tire pressure (see Tire Information Label on driver's door lock pillar)
10. Spare tire (see section 7)

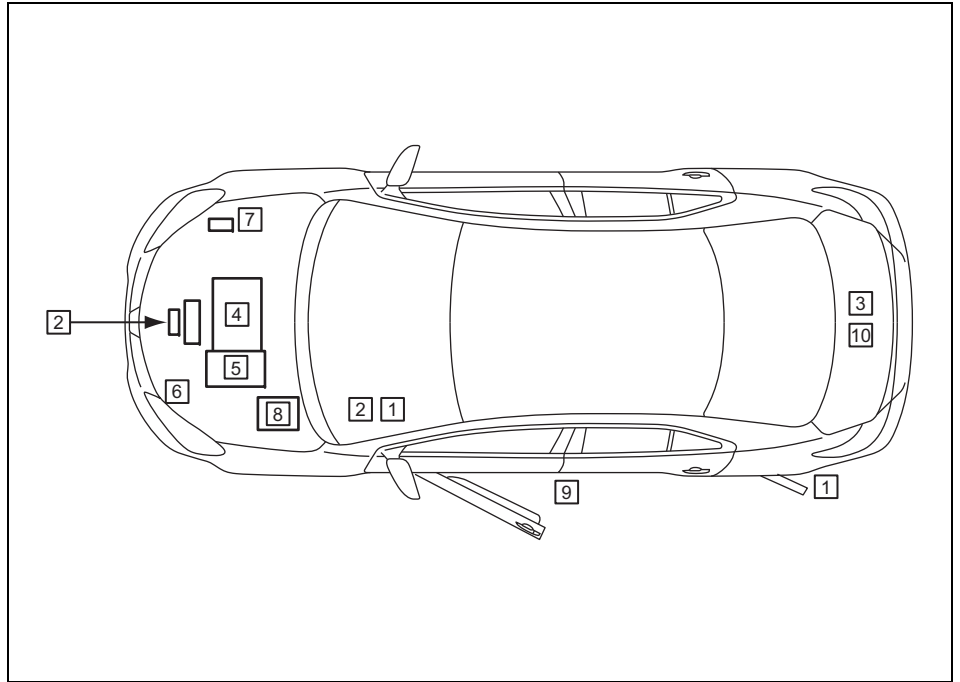


TABLE OF CONTENTS

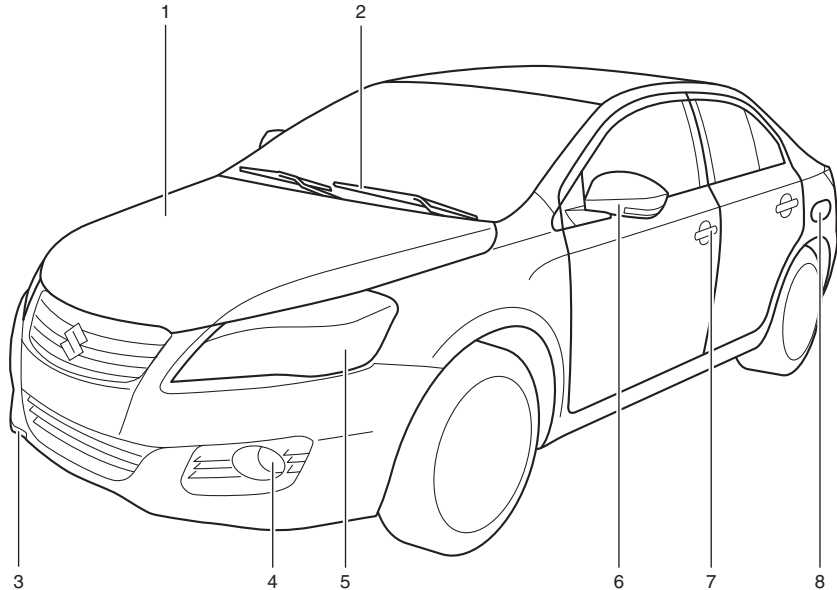
FUEL RECOMMENDATION	1
BEFORE DRIVING	2
OPERATING YOUR VEHICLE	3
DRIVING TIPS	4
OTHER CONTROLS AND EQUIPMENT	5
VEHICLE LOADING AND TOWING	6
INSPECTION AND MAINTENANCE	7
EMERGENCY SERVICE	8
APPEARANCE CARE	9
GENERAL INFORMATION	10
SPECIFICATIONS	11
INDEX	12

ILLUSTRATED TABLE OF CONTENTS

EXTERIOR, FRONT

EXAMPLE

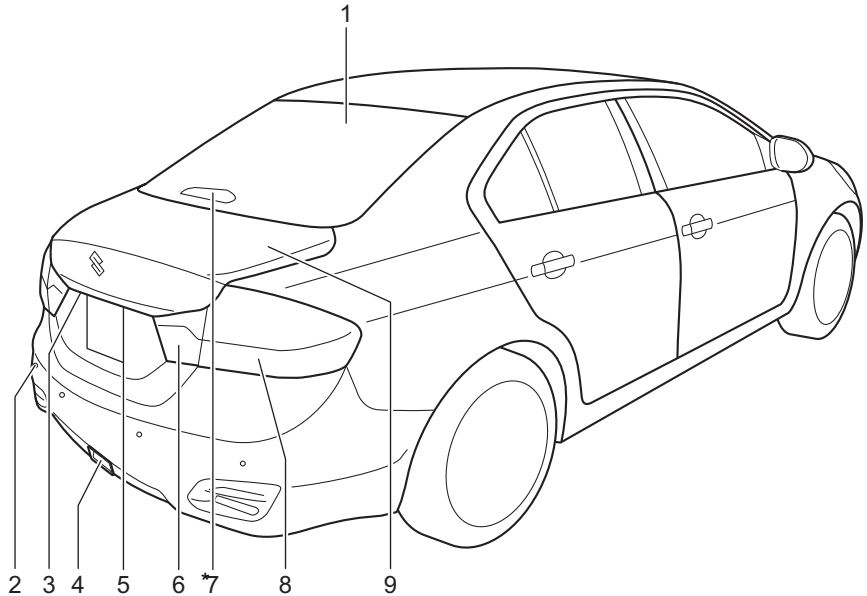
1. Engine Hood (P.5-2)
2. Windshield Wiper (P.2-67)
3. Frame Hook (P.5-14)
4. Front Fog Light (if equipped)
(P.2-64, 7-28)
5. Headlight (P.2-63, 7-26)
6. Outside Rearview Mirror (P.2-19)
7. Door Locks (P.2-2)
8. Fuel Filler Cap (P.5-1)



EXTERIOR, REAR

EXAMPLE

1. Radio Antenna (P.5-24)
2. Parking Sensor (if equipped) (P.3-16)
3. Rearview Camera (if equipped) (P.3-22)
4. Rear Fog Light (if equipped) (P.2-64, 7-31)
5. License Plate Light (P.7-30)
6. Reversing Light (P.7-29)
7. High-mount Stop Light
8. Rear Combination Light (P.7-29)
9. Trunk Lid (P.2-4)



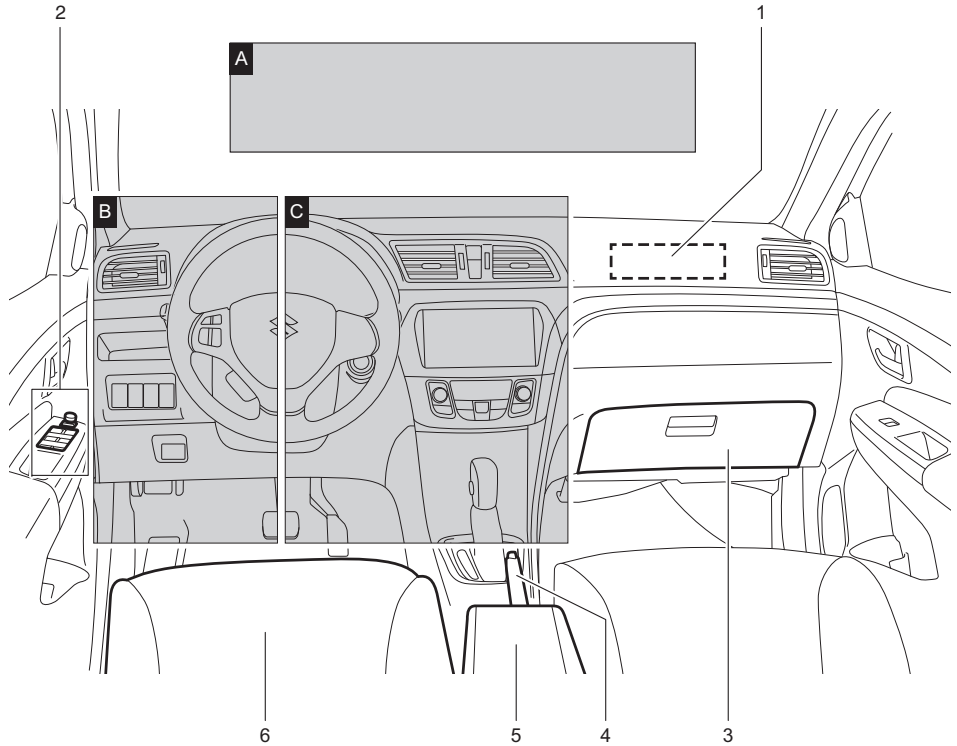
* If your vehicle is equipped with rear spoiler, High-mount Stop Light is built into rear spoiler.

ILLUSTRATED TABLE OF CONTENTS

INTERIOR, FRONT

EXAMPLE

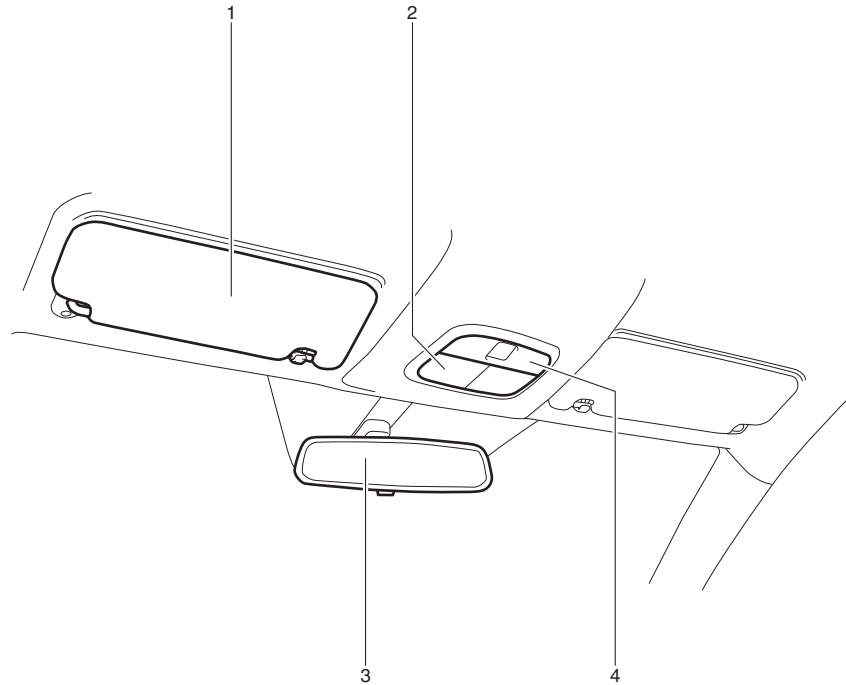
1. Front Passenger's Front Air Bag (P.2-40)
2. Electric Window Controls (P.2-15)/ Electric Mirrors Control Switch (P.2-19)/ Outside Rearview Mirrors Folding Switch (if equipped) (P.2-20)
3. Glove Box (P.5-9)
4. Parking Brake Lever (P.3-8)
5. Front Armrest with Console Box (P.5-11)
6. Front Seats (P.2-20)



1. Sun Visor (P.5-4)
2. Front Interior Light (P.5-5, 7-31)
3. Inside Rearview Mirror (P.2-18)
4. Hands-free Microphone (if equipped)
(P.5-48)

VIEW A

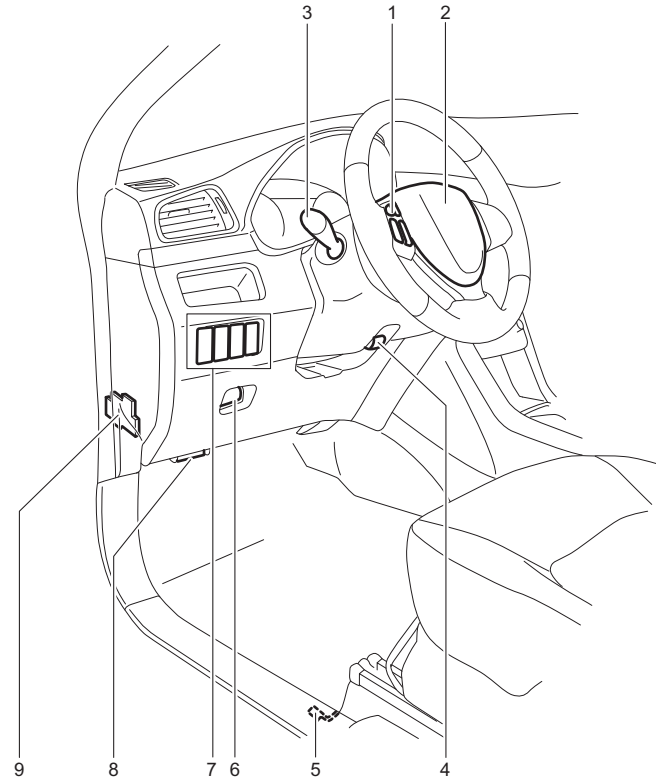
EXAMPLE



ILLUSTRATED TABLE OF CONTENTS

1. Remote Audio Controls (if equipped)
(P.5-66)
2. Driver's Front Air Bag (P.2-39)
3. Lighting Control Lever (P.2-63)/
Turn Signal Control Lever (P.2-65)/
Rear Fog Light Switch (if equipped)
(P.2-64)
4. Tilt Steering Lock Lever (P.2-68)
5. Fuel Lid Opener Lever (P.5-1)
6. Trunk Lid Unlatch Switch (P.2-4)
7. Headlight Leveling Switch
(if equipped) (P.2-65)/
Front Fog Light Switch (if equipped)
(P.2-64)/
Parking Sensor Switch (if equipped)
(P.3-16)
8. Engine Hood Release Handle (P.5-2)
9. Fuses (P.7-24)

VIEW B

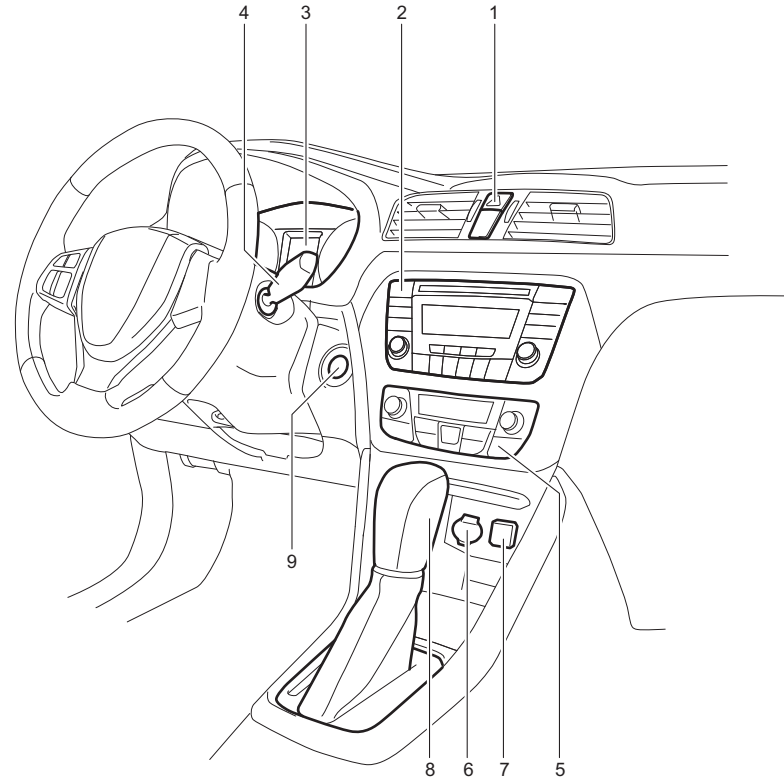


EXAMPLE

1. Hazard Warning Switch (P.2-67)
2. Audio (if equipped) (P.5-25)
3. Instrument Cluster (P.2-45)/
Information Display (P.2-48)
4. Windshield Wiper and Washer
Lever (P.2-67)
5. Heating (if equipped) and Air
Conditioning System (P.5-15)/
Heated Rear Window Switch
(P.2-69)
6. Accessory Socket (P.5-7)
7. AUX/USB Socket (if equipped) (P.5-8)
8. Gearshift Lever (P.3-14)
9. Engine Switch (Vehicle with Keyless
Push Start System) (P.3-3)

VIEW C

EXAMPLE

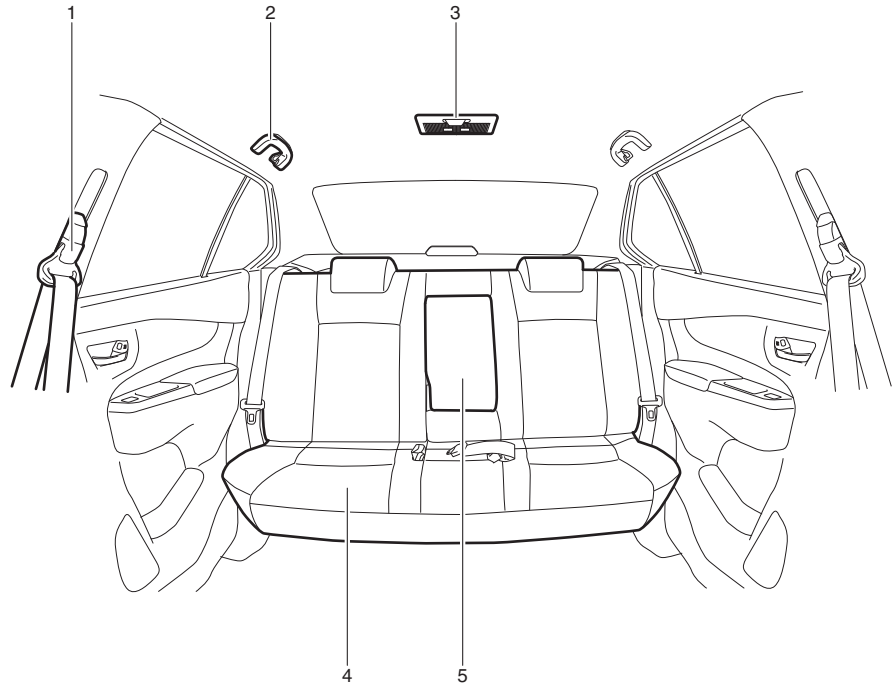


ILLUSTRATED TABLE OF CONTENTS

INTERIOR, REAR

EXAMPLE

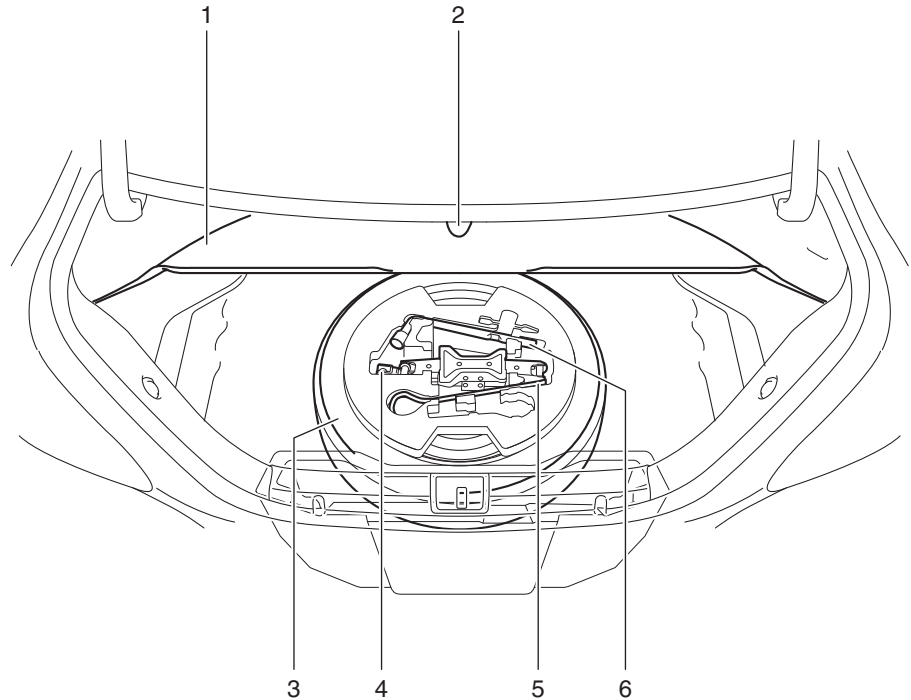
1. Seat Belts (P.2-23)
2. Assist Grip (if equipped) (P.5-8)
3. Center Interior Light (P.5-5, 7-31)
4. Rear Seats (P.2-22)
5. Rear Armrest with Cup Holders (P.5-12)



LUGGAGE COMPARTMENT

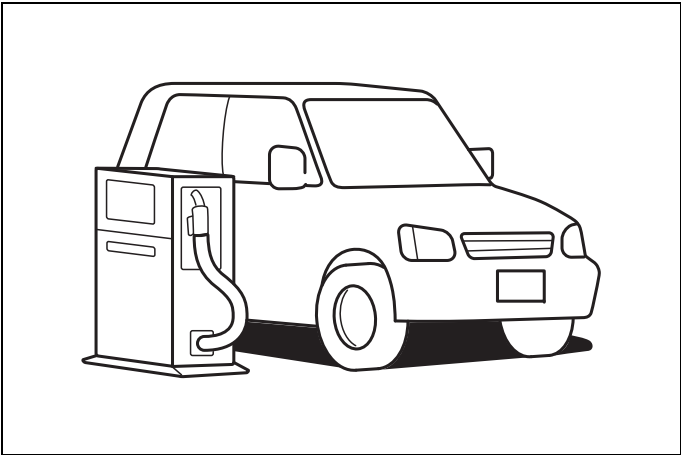
EXAMPLE

1. Luggage Compartment Carpet
2. Trunk Lid Light (P.5-5, 7-31)
3. Spare Tire (P.7-20, 8-1)
4. Jack (P.8-1)
5. Jack Handle (P.8-1)
6. Wheel Brace (P.8-1)



FUEL RECOMMENDATION

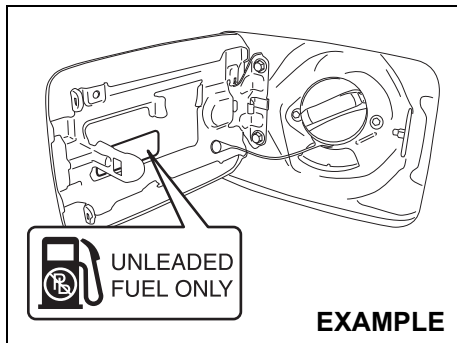
Fuel Recommendation 1-1



65D394

FUEL RECOMMENDATION

Fuel Recommendation



You **must** use unleaded gasoline with an octane number (RON) of 91 or higher (or RON of 95 or higher if it is stated on the fuel filler lid). These vehicles are also identified by a label attached near the fuel filler pipe that states: “UNLEADED FUEL ONLY”.

If the “RON 95” label is attached, you must use unleaded gasoline with an octane number (RON) of **95** or higher.

Gasoline/Ethanol blends

Blends of unleaded gasoline and ethanol (grain alcohol), also known as gasohol, are commercially available in some areas. Blends of this type may be used in your vehicle if they are no more than 10% ethanol. Make sure this gasoline-ethanol blend has octane ratings no lower than those recommended for gasoline.

Gasoline/Methanol blends

Blends of unleaded gasoline and methanol (wood alcohol) are also commercially available in some areas. **DO NOT USE** fuels containing more than 5% methanol under any circumstances. Fuel system damage or vehicle performance problems resulting from the use of such fuels are not the responsibility of SUZUKI and may not be covered under the New Vehicle Warranty.

Fuels containing 5% or less methanol may be suitable for use in your vehicle if they contain cosolvents and corrosion inhibitors.

NOTE:

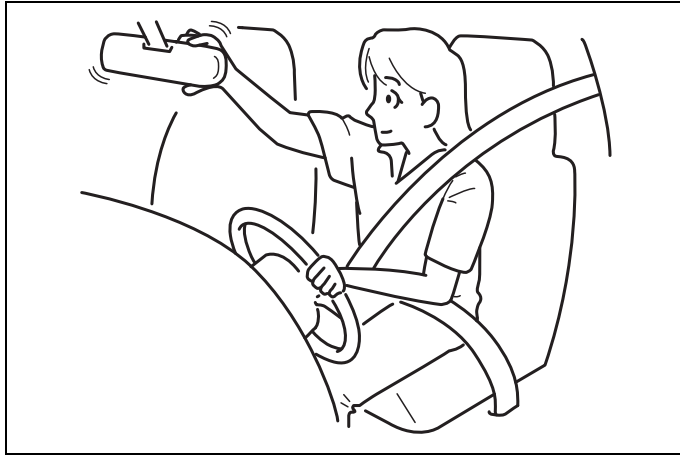
If you are not satisfied with the driveability or fuel economy of your vehicle when you are using a gasoline/alcohol blend, you should switch back to unleaded gasoline containing no alcohol.

NOTICE

The fuel tank has an air space to allow for fuel expansion in hot weather. If you continue to add fuel after the filler nozzle has automatically shut off or an initial blowback occurs, the air chamber will become full. Exposure to heat when fully fuelled in this manner will result in leakage due to fuel expansion. To prevent such fuel leakage, stop filling after the filler nozzle has automatically shut off, or when using an alternative non-automatic system, initial vent blowback occurs.

NOTICE

Be careful not to spill fuel containing alcohol while refueling. If fuel is spilled on the vehicle body, wipe it up immediately. Fuels containing alcohol can cause paint damage, which is not covered under the New Vehicle Limited Warranty.



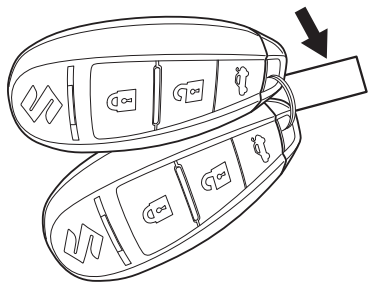
60G404

BEFORE DRIVING

Keys	2-1
Door Locks	2-2
Keyless Push Start System Remote Controller	2-5
Theft Deterrent Alarm System	2-12
Windows	2-15
Mirrors	2-18
Front Seats	2-20
Rear Seats	2-22
Seat Belts and Child Restraint Systems	2-23
Supplemental Restraint System (air bags)	2-38
Instrument Cluster	2-45
Speedometer	2-46
Tachometer	2-46
Fuel Gauge	2-46
Temperature Gauge	2-47
Brightness Control	2-47
Information Display	2-48
Warning and Indicator Lights	2-56
Lighting Control Lever.....	2-63
Front Fog Light Switch (if equipped)	2-64
Headlight Leveling Switch (if equipped)	2-65
Turn Signal Control Lever	2-65
Hazard Warning Switch	2-67
Windshield Wiper and Washer Lever	2-67
Tilt Steering Lock Lever	2-68
Horn	2-69
Heated Rear Window Switch	2-69

Keys

EXAMPLE



79PS121

Your vehicle comes with a pair of identical keys. Keep the spare key in a safe place. One key can open all of the locks on the vehicle.

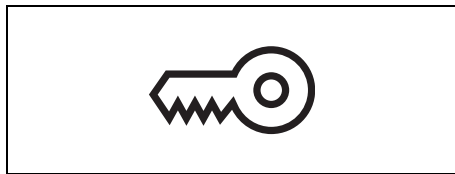
The key identification number is stamped on a metal tag provided with the keys or on the keys. Keep the tag (if equipped) in a safe place. If you lose your keys, you will need this number to have new keys made. Write the number below for your future reference.

KEY NUMBER:

Immobilizer System

This system is designed to help prevent vehicle theft by electronically disabling the engine starting system.

The engine can be started only with your vehicle's original immobilizer ignition key or keyless push start system remote controller which has an electronic identification code programmed into it. The key or remote controller communicates the identification code to the vehicle when the ignition switch is turned to the "ON" position or the engine switch is pressed to change the ignition mode to "ON". If you need to make spare keys or remote controllers, see your SUZUKI dealer. The vehicle must be programmed with the correct identification code for the spare. A key made by an ordinary locksmith will not work.



80JM122

If the immobilizer/keyless push start system warning light blinks when the ignition switch is in the "ON" position or the ignition mode is "ON", the engine will not start.

If this light blinks, change the ignition mode to "LOCK" (OFF), then change back to "ON". Also refer to "If the PUSH indicator light blinks and the engine cannot be started" in "Starting the Engine (Vehicle with Keyless Push Start System)" in the "OPERATING YOUR VEHICLE" section. If the light still blinks after the ignition mode is changed back to "ON", there may be something wrong with your key or with the immobilizer system. Ask your SUZUKI dealer to have the system inspected.

The immobilizer/keyless push start system warning light may also blink if the remote controller is not in the vehicle when you close the door or attempt to start the engine.

NOTE:

- If you lose your immobilizer ignition key or remote controller, see your SUZUKI dealer as soon as possible to have the lost one deactivated, then have the new key or remote controller made by them.
- If you own other vehicles with immobilizer keys, keep those keys away from the ignition switch or the engine switch when using your SUZUKI, or the engine may not be started because they may interfere with your SUZUKI's immobilizer system.
- If you attach any metal objects to the immobilizer key or remote controller, it may not start the engine.

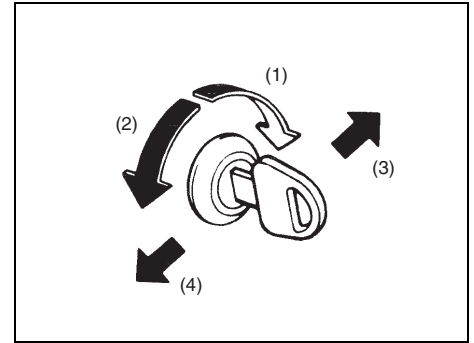
NOTICE

The immobilizer key and remote controller are sensitive electronic instruments. To avoid damaging them:

- Do not expose them to impacts, moisture or high temperature such as on the dashboard under direct sunlight.
- Keep them away from magnetic objects.

Ignition Key Reminder (if equipped)

A buzzer sounds intermittently to remind you to remove the ignition key if it is in the ignition switch when the driver's door is opened.

Door Locks**Side Door Locks**

79MH0201

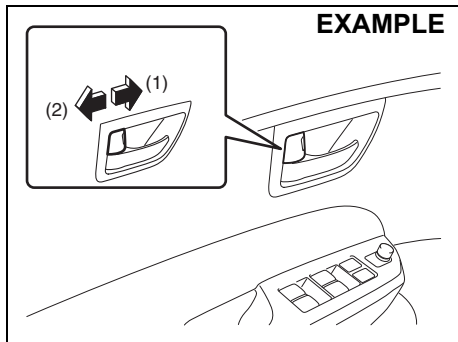
- (1) LOCK
- (2) UNLOCK
- (3) Front
- (4) Rear

To lock a driver's door from outside the vehicle:

- Insert the key and turn the top of the key toward the front of the vehicle, or
- Turn the lock knob forward, then pull and hold the door handle as you close the door.

BEFORE DRIVING

To unlock a driver's door from outside the vehicle, insert the key and turn the top of the key toward the rear of the vehicle.



EXAMPLE

79MS00201

- (1) LOCK
- (2) UNLOCK

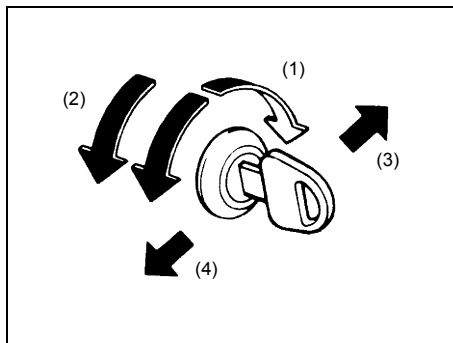
To lock a door from inside the vehicle, turn the lock knob forward. Turn the lock knob rearward to unlock the door.

To lock a rear door from outside the vehicle, turn the lock knob forward and close the door. You do not need to pull and hold the door handle as you close the door.

NOTE:

Be sure to hold the door handle when you close a locked front door, or the door will not remain locked.

Central Door Locking System



54G294

- (1) LOCK
- (2) UNLOCK
- (3) Front
- (4) Rear

You can lock and unlock all doors simultaneously by using the key in the driver's door lock.

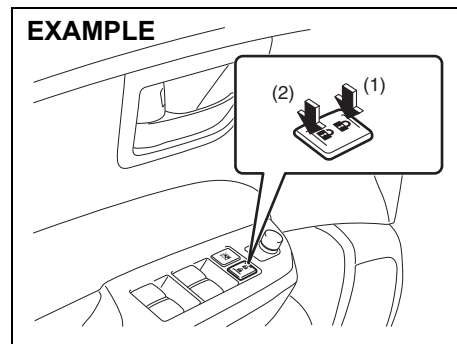
To lock all doors simultaneously, insert the key in the driver's door lock and turn the top of the key toward the front of the vehicle once.

To unlock all doors simultaneously, insert the key in the driver's door lock and turn the top of the key toward the rear of the vehicle twice.

NOTE:

You can switch the function that unlocks all doors from twice operations to once operation, and vice versa, via the setting mode of the information display. For details on how to use the information display, refer to "Information Display" in this section.

To unlock the driver's door only, insert the key in that door lock and turn the top of the key toward the rear of the vehicle once.



EXAMPLE

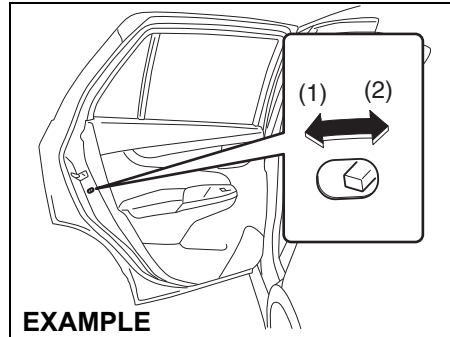
79PS1A201

- (1) LOCK
- (2) UNLOCK

You can also lock or unlock all doors by depressing the front or rear of the switch, respectively.

NOTE:

- You can also lock or unlock all doors by operating the transmitter or remote controller. Refer to “Keyless Push Start System Remote Controller” in this section.
- If your vehicle is equipped with the keyless push start system, you can also lock or unlock all doors by pushing the request switch. Refer to “Keyless Push Start System Remote Controller” in this section.

Child-Proof Locks (rear door)

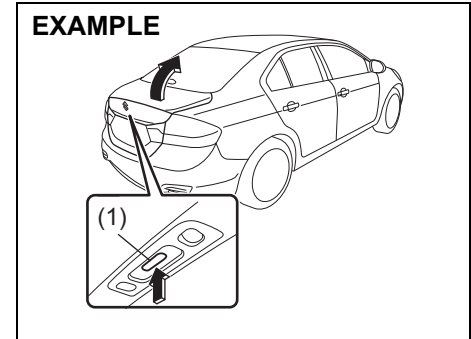
79MH0236

- (1) LOCK
(2) UNLOCK

Each of the rear doors is equipped with a child-proof lock which can be used to help prevent unwanted opening of the door from inside the vehicle. When the lock lever is in the “LOCK” position (1), the rear door can only be opened from outside. When the lock lever is in the “UNLOCK” position (2), the rear door can be opened from inside or outside.

⚠ WARNING

Be sure to place the child-proof lock in the “LOCK” position whenever children are seated in the rear.

Trunk Lid

79MS0T210

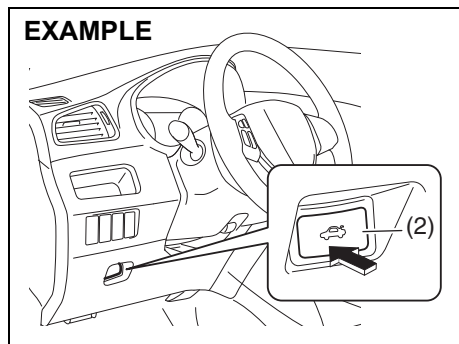
Push the trunk lid unlatch switch (1) and lift the trunk lid to open the trunk lid.

The trunk lid unlatch switch (1) operates when the keyless push start system remote controller is within the switch’s operating range.

The trunk lid unlatch switch (1) operates only to open the trunk lid.

If you close the trunk lid with the keyless push start system remote controller left in the trunk with all the doors locked, the trunk will be automatically unlatched.

BEFORE DRIVING

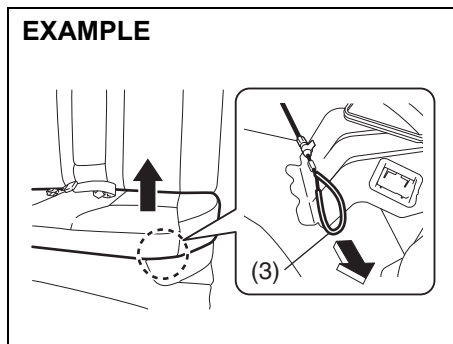


You can unlock the lid by pushing the trunk lid unlatch switch (2).

⚠ WARNING

Always make sure that the trunk lid is closed and latched securely. Otherwise, it may open unexpectedly while driving. Completely closing it also helps keep exhaust gases from entering the vehicle.

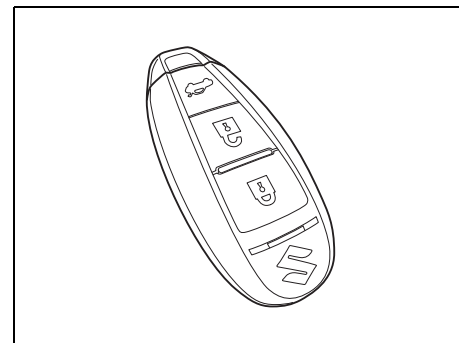
If you cannot unlatch the trunk lid by pushing the unlatch switch (1) or (2) due to a discharged battery or malfunction, follow the procedures below to unlatch the trunk lid from inside the vehicle.



- 1) Lift up the left side of rear seat cushion.
- 2) Pull the emergency lever (3).

If the trunk lid cannot be unlatched by pushing the unlatch switch (1) or (2), have the vehicle inspected by your SUZUKI dealer.

Keyless Push Start System Remote Controller



Your vehicle is equipped with a keyless push start system remote controller. The remote controller has a keyless entry system and a keyless push start system. For details, refer to the following explanations.

⚠ WARNING

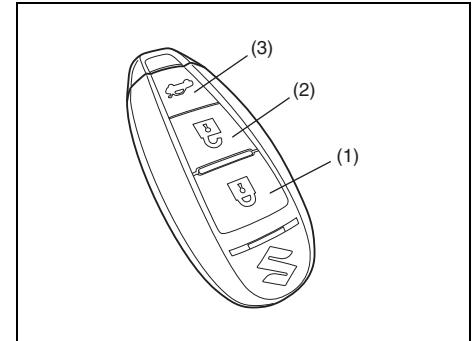
Radio waves from the keyless push start system antenna(s) may interfere with operation of electrical medical equipment such as pacemakers. Failure to take the precautions listed below can increase the risk of severe injury or death due to radio wave interference.

- Anyone who uses electrical medical equipment such as a pacemaker should consult the medical equipment supplier or their medical advisor about whether radio waves from the antenna(s) can interfere with the medical equipment.
- If radio wave interference is a concern, have the function of the antenna(s) disabled by your SUZUKI dealer.

Keyless Push Start System Remote Controller

The remote controller enables the following operations:

- You can lock or unlock the doors by operating the LOCK/UNLOCK buttons on the remote controller. Refer to the explanation in this section.
- You can lock or unlock the doors by pushing the request switch. For details, refer to the explanation in this section.
- You can start the engine without using an ignition key. For details, refer to "Engine Switch" in the "OPERATING YOUR VEHICLE" section.
- You can unlatch and let the trunk lid slightly open by pushing and holding the TRUNK LID UNLOCK button on the remote controller. Refer to the explanation in this section.



79MH0206

- (1) "LOCK" button
- (2) "UNLOCK" button
- (3) "TRUNK LID UNLOCK" button

You can lock or unlock all doors simultaneously by operating the remote controller near the vehicle.

BEFORE DRIVING

Central door locking system

- To lock all doors, push the “LOCK” button (1) once.
- To unlock only the driver’s door, push the “UNLOCK” button (2) once.
- To unlock other doors, push the “UNLOCK” button (2) once again.

NOTE:

You can switch the function that unlocks all doors from twice operations to once operation, and vice versa, via the setting mode of the information display. For details on how to use the information display, refer to “Information Display” in this section.

The turn signal lights will flash once and the buzzer will sound once when the doors are locked.

When the doors are unlocked:

- The turn signal lights will flash twice and the buzzer will sound twice.
- If the interior light switch is in the “DOOR” position, the interior light will turn on for about 15 seconds and then fade out. If you press the engine switch during this time, the light will start to fade out immediately.

Be sure the doors are locked after you operate the “LOCK” button (1).

If no door is opened within about 30 seconds after the “UNLOCK” button (2) is operated, the doors will automatically lock again.

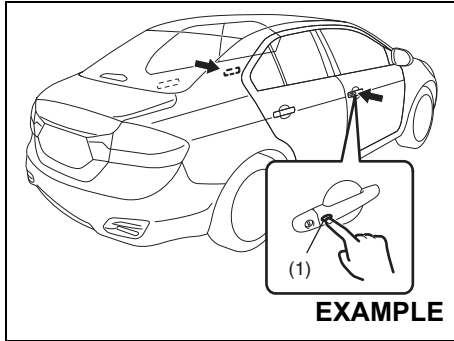
TRUNK LID UNLOCK button (3) function

Push and hold the “TRUNK LID UNLOCK” button pressed for more than 1 second; the trunk lid will be unlatched and open slightly.

NOTE:

- *The maximum operating distance of the remote controller is about 5 m (16 ft.), but this can vary depending on the surroundings, especially near other transmitting devices such as radio towers or CB (Citizen’s Band) radios.*
- *The door locks cannot be operated with the remote controller if the ignition mode is other than the “LOCK” (OFF).*
- *If any door is open, you cannot lock the door by operating the remote controller, however unlock the door.*
- *If you lose one of the remote controllers, ask your SUZUKI dealer as soon as possible for a replacement. Be sure to have your dealer program the new remote controller code in your vehicle’s memory so that the old code is erased.*

Keyless unlocking/locking using the request switches



79MH0207

When the remote controller is within the operating range described in this section, you can lock or unlock the doors by pushing the request switch (1) on the driver's door handle or front passenger's door handle.

To lock all doors when all doors are unlocked:

- To lock all doors, push one of the request switches once.

The turn signal lights will flash once and the exterior buzzer will sound once when the doors are locked.

To unlock a door or all doors:

- Push one of the request switches once to unlock only one door.
- Push one of the request switches twice to unlock all doors.

NOTE:

You can switch the function that unlocks all doors from twice operations to once operation, and vice versa, via the setting mode of the information display. For details on how to use the information display, refer to "Information Display" in this section.

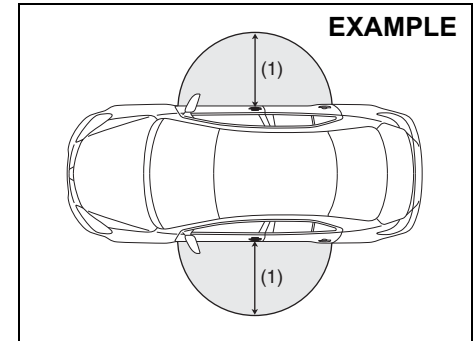
When the doors are unlocked:

- The turn signal lights will flash twice and the exterior buzzer will sound twice.
- If the interior light switch is in the "DOOR" position, the interior light will turn on for about 15 seconds and then fade out. If you press the engine switch during this time, the light will start to fade out immediately.

Be sure the doors are locked after you operate the request switch to lock the doors.

NOTE:

- The door locks cannot be operated by the request switch under the following conditions:
 - If any door is open or is not completely closed.
 - If the ignition mode is other than "LOCK" (OFF).
- If no doors are opened within about 30 seconds after unlocking the doors by pushing the request switch, the doors will be locked again automatically.



79MH0208

(1) 80 cm (2 1/2 feet)

When the remote controller is within approximately 80 cm (2 1/2 feet) from a front door handle, you can lock or unlock the doors by pushing the request switch.

BEFORE DRIVING

NOTE:

- If the remote controller is outside the request switch operating range described above, you will not be able to operate the request switch.
- If the battery of the remote controller runs down or there are strong radio waves or noise, the request switch operating range may be reduced or the remote controller may be inoperative.
- If the remote controller is too close to the door glass, the request switches may not operate.
- If a spare remote controller is in the vehicle, the request switches may not operate normally.
- The remote controller will only operate a request switch if it is within the switch's operating range. For example, if the remote controller is within the operating range of the driver's door request switch but not the front passenger's door request switch, the driver's door switch can be operated but the front passenger's door switch cannot be operated.

NOTICE

The remote controller is a sensitive electronic instrument. To avoid damaging the remote controller:

- Do not expose it to impacts, moisture or high temperature such as by leaving it on the dashboard under direct sunlight.
- Keep the remote controller away from magnetic objects such as a television.

NOTE:

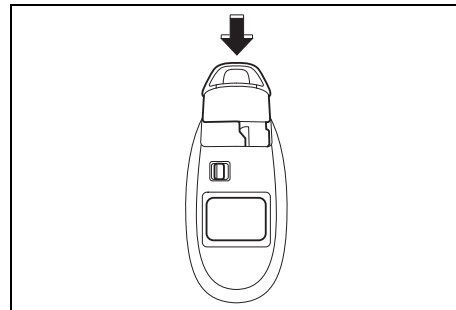
The keyless push start system may not function correctly in certain environments or under certain operating conditions such as the following:

- When there are strong signals coming from a television, power station or a cellular phone.
- When the remote controller is in contact with or covered by a metal object.
- When a radio wave type remote keyless entry is used nearby.
- When the remote controller is placed near an electronic device such as personal computer.

Some additional precautions you should take and information you should be aware of are:

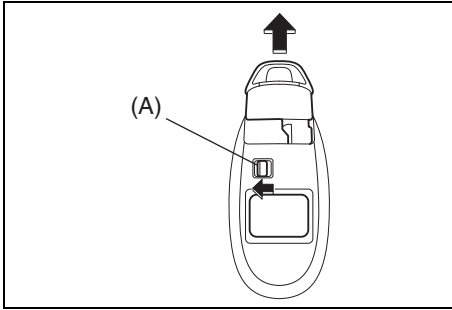
- Make sure the key is stowed in the remote controller. If the remote controller becomes unreliable, you will not be able to lock or unlock the doors.

- Be sure that the driver always carries the remote controller.
- If you lose one of the remote controllers, ask your SUZUKI dealer as soon as possible for a replacement. Be sure to have your dealer program the new remote controller code in your vehicle's memory so that the old code is erased.
- You can use up to four remote controllers and the keys for your vehicle. Ask your SUZUKI dealer for details.
- The battery life of the remote controller is about two years, but it can vary depending on usage conditions.



57L21016

To stow the key into the remote controller, push the key in the remote controller until you hear a click.



68LM247

To remove the key from the remote controller, push the button (A) in the direction of the arrow and pull the key out from the remote controller.

Request switch warning buzzer

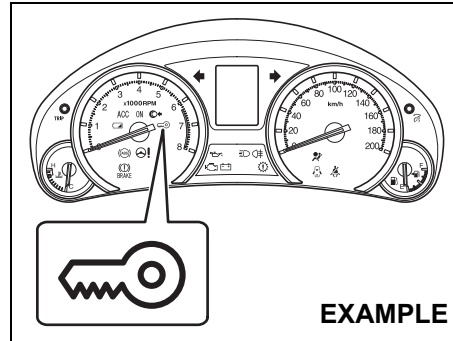
This exterior buzzer beeps for about 2 seconds in the following conditions to warn you that the request switch is not working:

- The request switch is pressed after all doors are closed with the ignition mode changed to “ACC” or “ON” by pressing the engine switch.
- The request switch is pressed in any of the following conditions after changing the ignition mode to “LOCK” (OFF) by pressing the engine switch.
 - The remote controller is left inside the vehicle.
 - Any door is open.

Press the request switch again after doing the following:

With the ignition mode changed to “LOCK” (OFF) by pressing the engine switch, bring out the remote controller if it is inside the vehicle and check that all doors are completely closed.

Reminder function



79PS00201

If the remote controller is not in the vehicle under the following conditions, the buzzer sounds intermittently for about 2 seconds and the immobilizer/keyless push start system warning light on the instrument cluster blinks:

When one or more doors are opened and all of the doors are later closed with the ignition mode is other than “LOCK”.

The indicator light will turn off within several seconds after the remote controller is returned to an area of the vehicle other than the trunk.

If the remote controller is left in the vehicle and you lock the driver’s door or front passenger’s door as described below, the door will be automatically unlocked.

- If you open the driver’s door and lock the door by turning the lock knob forward or pushing the power door locking switch, the driver’s door will be automatically unlocked.
- If you open the front passenger’s door and lock the door by turning the lock knob forward or pushing the power door locking switch, the front passenger’s door will be automatically unlocked.

If you close the trunk lid with the remote controller left in the trunk with all the doors locked, the trunk will be automatically unlatched.

NOTE:

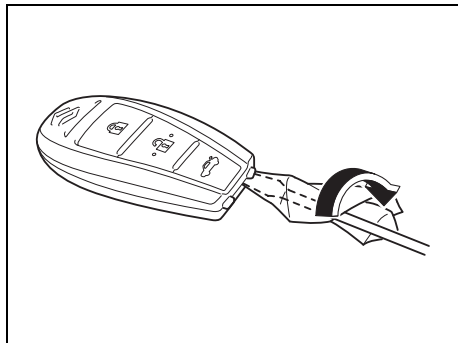
- *The reminder will not operate when the remote controller is on the instrument panel, in the glove box, in a storage compartment, in the sun visor or on the floor etc.*
- *Be sure that the driver always carries the remote controller.*
- *Do not leave the remote controller in the vehicle when leaving the vehicle.*

BEFORE DRIVING

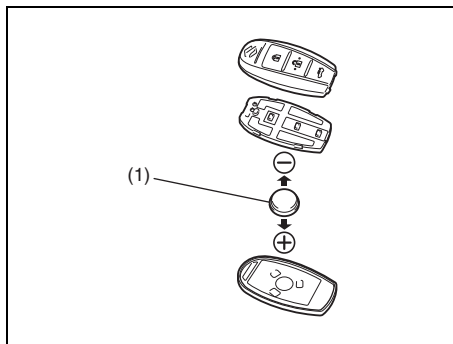
Replacement of the battery

If the remote controller becomes unreliable, replace the battery.

To replace the battery of the remote controller:



- 1) Pull the key out from the remote controller.
- 2) Insert a flat blade screwdriver covered with a soft cloth in the slot of the remote controller and pry it open.



(1) Lithium disc type battery:
CR2032 or equivalent

- 3) Replace the battery (1) so its + terminal faces the bottom of the case as shown in the illustration.
- 4) Close the remote controller firmly.
- 5) Make sure the door locks can be operated with the remote controller.
- 6) Dispose of the used battery properly according to applicable rules or regulations. Do not dispose of lithium batteries with ordinary household trash.

WARNING

Swallowing a lithium battery may cause serious internal injury. Do not allow anyone to swallow a lithium battery. Keep lithium batteries away from children and pets. If swallowed, contact a physician immediately.

NOTICE

The remote controller is a sensitive electronic instrument. To avoid damaging it, do not expose it to dust or moisture or tamper with internal parts.

NOTE:

Used batteries must be disposed properly according to applicable rules or regulations and must not be disposed with ordinary household trash.

Theft Deterrent Alarm System

The theft deterrent alarm system is armed in about 20 seconds after you lock the doors. (The system, however, is not armed when the trunk lid is open.)

Keyless push start system – Use the remote controller or push the request switch on the driver's door handle, front passenger's door handle or trunk lid.

Once the system is armed, any attempt to open a door by using any other means (*) than the request switch of the keyless push start system remote controller will cause the alarm to be triggered.

* These means include the following:

- The key
- The lock knob on a door
- The center door locking switch
- The trunk lid unlatch button
- The trunk lid emergency lever

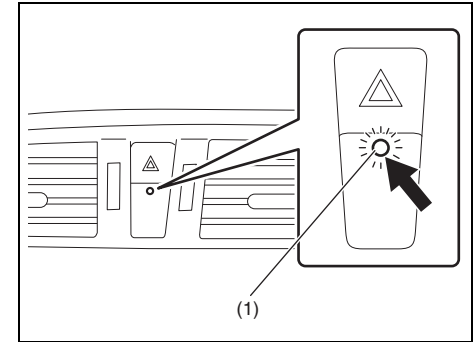
NOTE:

- *The theft deterrent alarm system generates alarms when any of the predetermined conditions is met. However, the system does not have any function of blocking unauthorized entry into your vehicle.*
- *Always use the request switch of the keyless push start system remote controller to unlock the doors when the theft deterrent alarm system has been armed. Using a key instead will trigger the alarm.*
- *If a person who does not know the theft deterrent alarm system is going to drive your vehicle, we recommend you explain the system and its operation to the person, or disable the system beforehand. Mistakenly triggering the alarm may cause a nuisance to others.*
- *Even if the theft deterrent alarm system is armed, you should still be careful to guard against theft. Do not leave money or things of value in your vehicle.*

How to arm the theft deterrent alarm system (when enabled)

Lock all doors (including the trunk lid) using the request switch of the keyless push start system remote controller. The theft deterrent light (1) will start blinking, and the theft deterrent alarm system will be armed in about 20 seconds.

While the system is being armed, the indicator continues to blink at intervals of approximately 2 seconds.



79MH0210

BEFORE DRIVING

NOTE:

- *To prevent the alarm from being accidentally triggered, avoid arming it while anyone remains inside the vehicle. The alarm will be triggered if any person inside unlocks a door by operating the lock knob or center door locking switch.*
- *The theft deterrent alarm system is not armed when all doors are locked using the key from outside, or using the door lock knobs or the center door locking switch from inside.*
- *If any door is not operated within approximately 30 seconds after the doors have been unlocked using the request switch of the keyless push start system remote controller the doors are automatically locked again. At the same time, the theft deterrent alarm system is armed if the system is in the enabled state.*

How to disarm the theft deterrent alarm system

Simply unlock the doors using the request switch of the keyless push start system remote controller. The theft deterrent light will go out, indicating that the theft deterrent alarm system is disarmed.

How to stop the alarm

Should the alarm be triggered accidentally, unlock the doors using the request switch of the keyless push start system remote controller or press the engine switch to change the ignition mode to “ON” or turn the ignition switch to “ON” position. The alarm will then stop.

NOTE:

- *Even after the alarm has stopped, if you lock the doors using the request switch of the keyless push start system remote controller the theft deterrent alarm system will be rearmed with a delay of about 20 seconds.*
- *If you disconnect the battery while the theft deterrent alarm system is in the armed condition or the alarm is actually in operation, the alarm will be triggered or re-triggered when the battery is then reconnected, although, in the latter case, the alarm remains stopped for the period between disconnection and reconnection of the battery.*
- *Even after the alarm has stopped at the end of the predetermined operation time, it will be triggered again if any door is opened without disarming the theft deterrent alarm system.*

Checking whether the alarm has been triggered during parking

If the alarm was triggered due to an unauthorized entry into the vehicle and you then press the engine switch to change the ignition mode to “ON” or turn the ignition switch to “ON” position, the theft deterrent light will blink rapidly for about 8 seconds and a buzzer will beep 4 times during this period. If this happens, check whether your vehicle has been broken into while you were away from it.

Enabling and disabling the theft deterrent alarm system

The theft deterrent alarm system can be either “enabled” or “disabled”.

When enabled (factory setting)

When the system is enabled, it causes the hazard warning lights to flash for about 40 seconds if any of the alarm trigger conditions is met. The system also causes the interior buzzer to beep intermittently for about 10 seconds, which is followed by intermittent sounding of the horn for about 30 seconds.

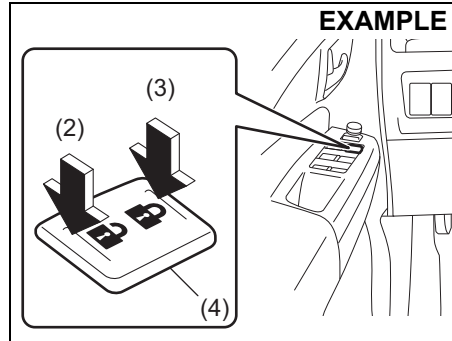
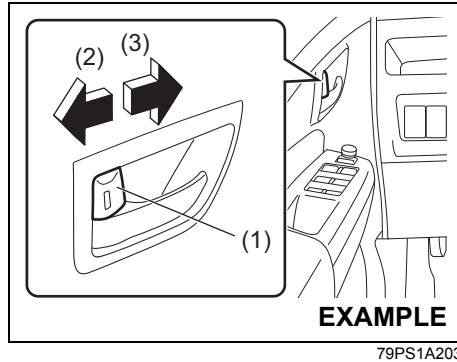
The theft deterrent light continues to blink during this time.

When disabled

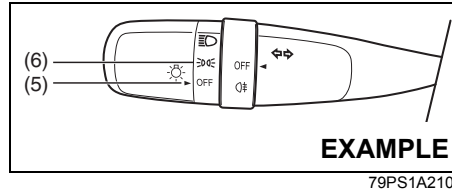
When the system is disabled, it stays disarmed even if you perform any system arming operation.

How to switch the state of the theft deterrent alarm system

You can switch the theft deterrent alarm system from the enabled state to the disabled state, and vice versa, using the following method.



- (2) UNLOCK
- (3) LOCK



- 1) With the ignition mode “ON” or the ignition switch in the “ON” position, close all the doors and turn the lock knob (1) on the driver’s door in the unlocking direction (2) (rearward). Turn the knob on the lighting control lever to the OFF position (5).

NOTE:
All operations included in the following steps 2) and 3) must be completed within 15 seconds.

- 2) Turn the knob on the lighting control lever to the \Rightarrow position (6) and then to the OFF position (5). Repeat this operation 4 times with the control finally lever set to the OFF position.
- 3) Push the lock end (3) (forward end) of the power door lock switch (4) to lock the doors, and then the unlock end (2) (backward end) to unlock the doors. Repeat these operations 3 times and finally push the lock end of the switch.

BEFORE DRIVING

Every time you perform the series of the above steps, the state of the theft deterrent alarm system changes from the currently selected one to the other. You can check whether the system is enabled or disabled by the number of interior buzzer beeps at the end of the procedure as follows.

System state	Number of beeps
Disabled	Once
	↕
Enabled	4 times

NOTE:

- You cannot disable the theft deterrent alarm system while it is in the armed condition.
- If you fail to complete the operations in step 2) and 3) within 15 seconds, perform the procedure again from the beginning.
- Make sure all doors are closed when performing the above procedure.

NOTE:

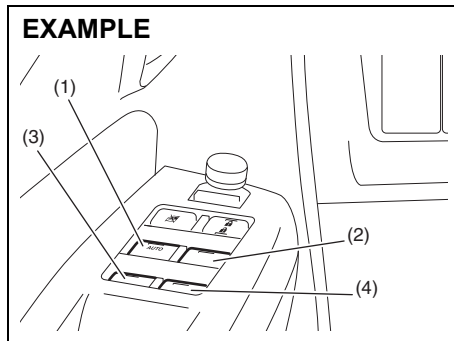
You can also switch the theft deterrent alarm system from the enabled state to the disabled state, and vice versa, via the setting mode of the information display. For details on how to use the information display, refer to “Information Display” in the “BEFORE DRIVING” section.

Windows

Electric Window Controls

The electric windows can only be operated when the ignition switch is in the “ON” position or the ignition mode is “ON”.

Driver’s side

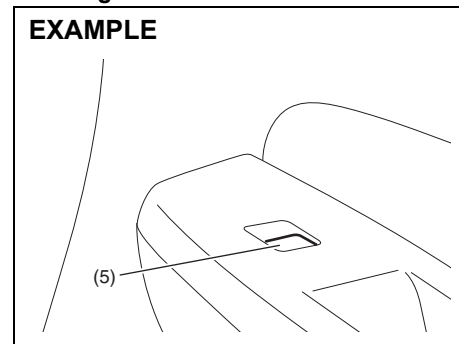


79PS1A205

The driver’s door has a switch (1) to operate the driver’s window, and a switch (2) to operate the front passenger’s window or there are switches (3), (4), to operate the rear left and right passenger windows, respectively.

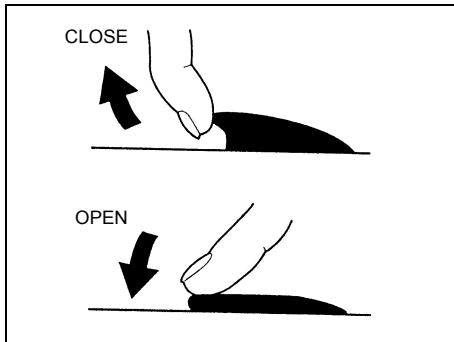
Passenger’s door

EXAMPLE



79MS00209

The passenger’s door has a switch (5) to operate the passenger’s window.

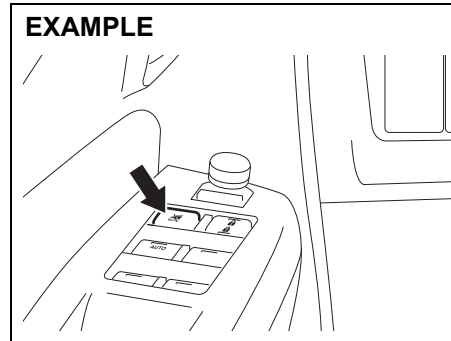


81A009

To open a window, push the top part of the switch and to close the window lift up the top part of the switch.

The driver's window has "auto-down" and "auto-up" features for added convenience (at toll booths or drive-through restaurants, for example). This means the driver can open or close the window without holding the window switch in the "Down" or "Up" position. Press down or lift up the driver's window switch completely and release it. To stop the window before it reaches the full-down or full-up position, pull up or push down the switch briefly.

Lock switch



79PS1A206

The driver's door also has a lock switch for the passenger's window(s). When you push in the lock switch, the passenger's window(s) cannot be raised or lowered by operating any of the switches (2), (3), (4) or (5). To restore normal operation, release the lock switch by pushing again.

⚠ WARNING

- You should always lock the passenger's window operation when there are children in the vehicle. Children can be seriously injured if they get part of their body caught by the window during operation.
- To avoid injuring an occupant by window entrapment, be sure no part of the occupant's body such as hands or head is in the path of the electric windows when closing them.
- Always remove the ignition key or take the keyless push start system remote controller with you when leaving the vehicle even if only for a short time. Also do not leave children alone in a parked vehicle. Unattended children could use the electric window switches and get trapped by the window.

NOTE:

If you drive with one of the rear windows open, you may hear a loud sound caused by air vibration. To reduce the sound, open the driver's or front passenger's window, or narrow the rear window opening.

Pinching Prevention Function

The driver's window is equipped with the pinching prevention function. The function detects a foreign object caught in the window while being closed by the "auto-up" feature, which you can close the window without holding the window switch in the "Up" position, and stops the window closing to prevent damage.

WARNING

To avoid injuring an occupant by window entrapment, be sure no part of the occupant's body such as hands or head is in the path of the electric window when closing it. The function may not detect the object depending on size, hardness, and position of the object caught by the closing window.

CAUTION

- **The pinching prevention function does not act while you are holding the window switch in the "Up" position.**
- **The pinching prevention function may not detect an object caught in the window just before the window is fully closed.**

NOTE:

Even if you cannot close the window by the auto-up feature because there may be something wrong with the pinching prevention function, you can close the window by holding the window switch in the "Up" position.

If you drive in extreme off-road condition, the pinching prevention function may operate accidentally because the window react to vehicle jolting.

The Pinching Prevention Function Initialization

When you disconnect and re-connect the battery or replace the fuse, the function will be deactivated. In this condition, the auto-down feature will be deactivated, while the auto-up feature may remain being activated. The pinching prevention function needs to be initialized.

To initialize the pinching prevention function, use the following procedure:

- 1) Turn the ignition switch to the "ON" position or press the engine switch to change the ignition mode to "ON".
- 2) Open the driver's window fully by holding the window switch in the "Down" position.
- 3) Close the driver's window by holding the switch in the "Up" position, and keep holding the switch for 2 seconds after the window fully closed.
- 4) Check the driver's window if the auto-down/up feature work.

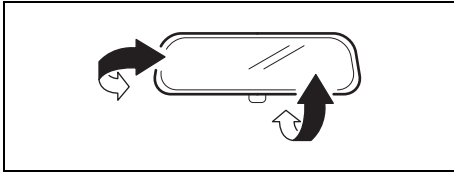
WARNING

Whenever you disconnect and reconnect the battery or replace the fuse, the pinching prevention function needs to be initialized. The pinching prevention function will not be activated until the initialization complete.

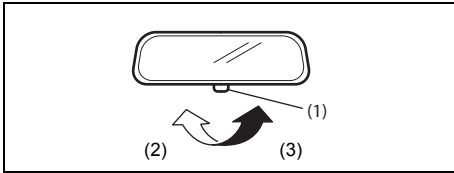
If the auto-down/up feature would not work after initialization, there might be something wrong with the pinching prevention function. Have your vehicle inspected by an authorized SUZUKI dealer.

Mirrors

Inside Rearview Mirror



68LMT0205



68LMT0206

- (2) Day driving
- (3) Night driving

You can adjust the inside rearview mirror by hand so as to see the rear of your vehicle in the mirror. To adjust the mirror, set the selector tab (1) to the day position, then move the mirror up, down or sideways by hand to obtain the best view.

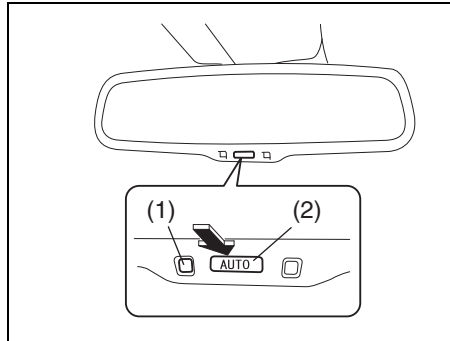
When driving at night, you can move the selector tab to the night position to reduce glare from the headlights of vehicles behind you.

⚠ WARNING

- Always adjust the mirror with the selector set to the day position.
- Only use the night position if it is necessary to reduce glare from the headlights of vehicles behind you. Be aware that in this position you may not be able to see some objects that could be seen in the day position.

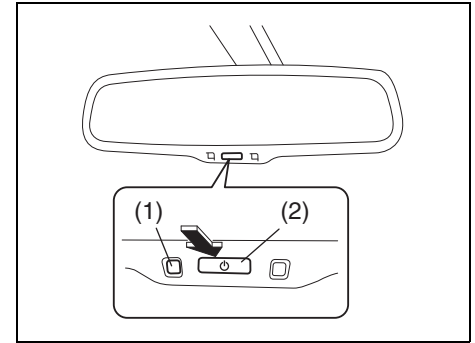
Auto Dimming Rearview Mirror (if equipped)

Without monitor



57L30019

With monitor

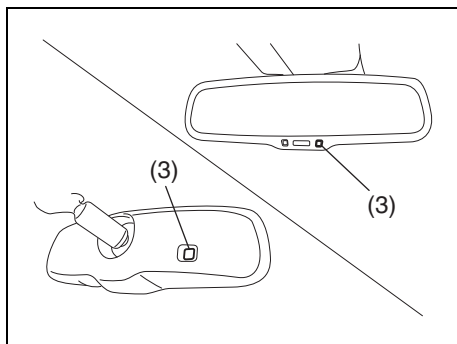


79MH0216

You can adjust the auto dimming rearview mirror by hand so you can see to the rear of your vehicle in the mirror. This rearview mirror has a function of automatically reducing glare from the lights of vehicles behind you. The function works when the ignition mode has been changed to "ON" by pressing the engine switch.

- The mirror is always set to the automatic dimming mode when the ignition mode is "ON".
- When the switch (2) is pushed, the green indicator (1) is lit, indicating that the mirror is set to the automatic dimming mode. To cancel the automatic dimming mode, push the switch (2); the indicator (1) then goes out.
- The auto dimming rearview mirror is automatically deactivated while the gear-shift lever is in the "R" position.

BEFORE DRIVING



57L30020

⚠ WARNING

Do not touch or cover the sensor (3) since this may impair normal operation of the system. Blocking glare from the sensor with an object such as a shade, sticker, accessory or baggage may also impair proper operation of the system.

NOTICE

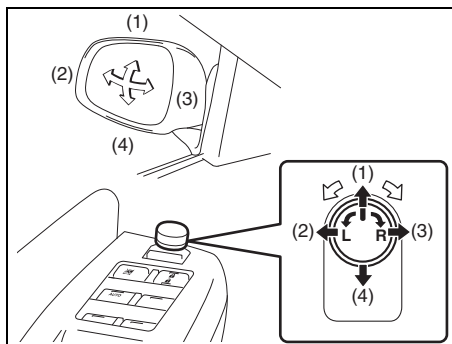
Do not hook anything heavy on the mirror, or the mirror may break under the weight.

Outside Rearview Mirrors

Adjust the outside rearview mirrors so you can just see the side of your vehicle in the mirrors.

⚠ WARNING

Be careful when judging the size or distance of a vehicle or other object seen in the side convex mirror. Be aware that objects look smaller and appear farther away than when seen in a flat mirror.

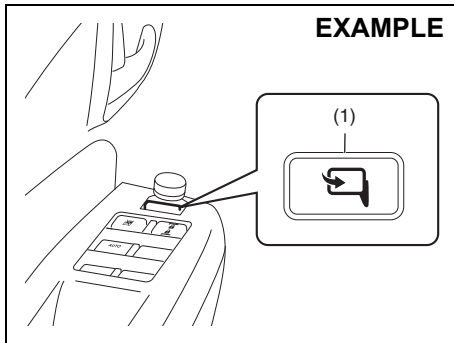


79MS00211

The switch to control the electric mirrors is located on the driver's door panel. You can adjust the mirrors when the ignition switch is in the "ACC" or "ON" position, or the ignition mode is "ACC" or "ON". To adjust the mirrors:

- 1) Move the selector switch to the left or right to select the mirror you wish to adjust.
- 2) Press the outer part of the switch that corresponds to the direction in which you wish to move the mirror.
- 3) Return the selector switch to the center position to help prevent unintended adjustment.

Outside Rearview Mirrors Folding Switch (if equipped)



79PS1A209

You can fold the mirrors when you park the vehicle in a narrow space. When the ignition switch is in the “ACC” or “ON” position, or the ignition mode is “ACC” or “ON”, push the folding switch (1) to fold and unfold the mirrors. Make sure the mirrors are completely unfolded before you start driving.

⚠ CAUTION

Moving mirrors can pinch and injure a hand. Do not allow any one’s hand to get near the mirrors when folding and unfolding the mirrors.

Front Seats

Seat Adjustment

⚠ WARNING

Never attempt to adjust the driver’s seat or seatback while driving. The seat or seatback could move unexpectedly, causing loss of control. Make sure that the driver’s seat and seatback are properly adjusted before you start driving.

⚠ WARNING

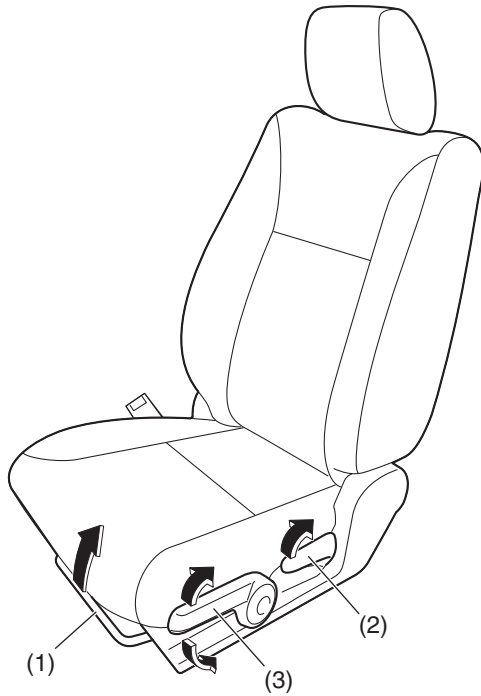
To avoid excessive seat belt slack, which reduces the effectiveness of the seat belts as a safety device, make sure that the seats are adjusted before the seat belts are fastened.

⚠ WARNING

All seatbacks should always be in an upright position when driving, or seat belt effectiveness may be reduced. Seat belts are designed to offer maximum protection when seatbacks are in the upright position.

BEFORE DRIVING

EXAMPLE



Seat position adjustment lever (1)

Pull the lever up and slide the seat.

Seatback angle adjustment lever (2)

Pull the lever up and move the seatback.

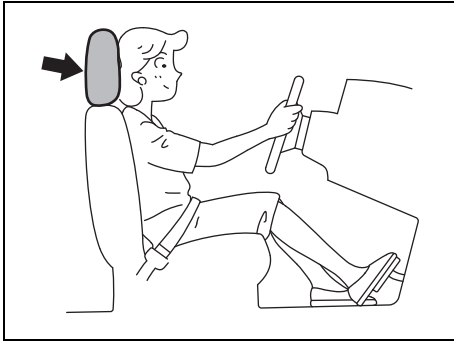
Seat height adjustment lever (3) (driver's seat)

Pull the lever up to raise the seat. Push the lever down to lower the seat.

After adjustment, try to move the seat and seatback forward and rearward to ensure that it is securely latched.

79MS00213

Head Restraints



80J001

Head restraints are designed to help reduce the risk of neck injuries in the case of an accident. Adjust the head restraint to the position which places the center of the head restraint closest to the top of your ears. If this is not possible for very tall passengers, adjust the head restraint as high as possible.

⚠ WARNING

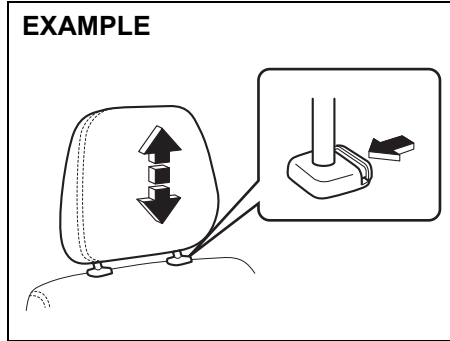
- Never drive the vehicle with the head restraints removed.
- Do not attempt to adjust the head restraint while driving.

NOTE:

It may be necessary to recline the seat-back to provide enough overhead clearance to remove the head restraint.

Front

EXAMPLE



61MM0A032

To raise the front head restraint, pull upward on the restraint until it clicks. To lower the restraint, push down on the restraint while holding in the lock lever. If a head restraint must be removed (for cleaning, replacement, etc.), push in the lock lever and pull the head restraint all the way out.

Rear Seats

Head Restraints (if equipped)

Head restraints are designed to help reduce the risk of neck injuries in the case of an accident.

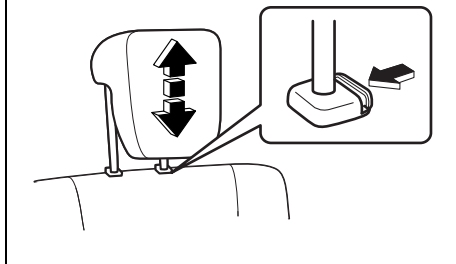
⚠ WARNING

- Never drive the vehicle with the head restraints removed.
- Do not attempt to adjust the head restraint while driving.

BEFORE DRIVING

Rear

EXAMPLE

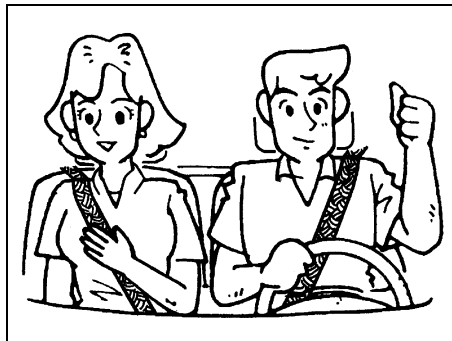


61MM0A033

To raise the rear head restraint, pull upward on the restraint until it clicks. To lower the restraint, push down on the restraint while holding in the lock lever. If a head restraint must be removed (for cleaning, replacement, etc.), push in the lock lever and pull the head restraint all the way out.

When installing a child restraint system, raise the head restraint to the most upper position.

Seat Belts and Child Restraint Systems



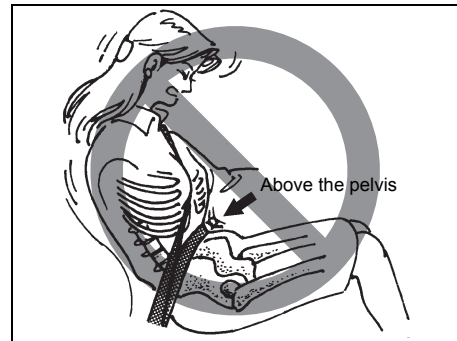
65D231S

⚠ WARNING

Wear Your Seat Belts at All Times.

⚠ WARNING

An air bag supplements, or adds to, the frontal crash protection offered by seat belts. The driver and all passengers must be properly restrained by wearing seat belts at all times, whether or not an air bag is mounted at their seating position, to minimize the risk of severe injury or death in the event of a crash.

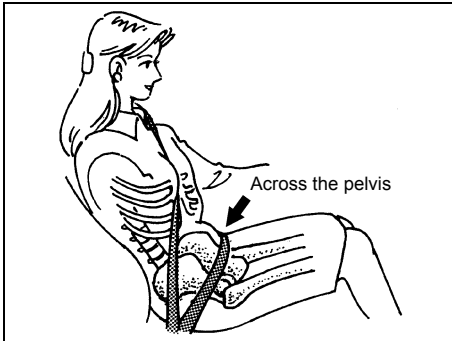


65D606

⚠ WARNING

- Never allow persons to ride in the cargo area of a vehicle. In the event of an accident, there is a much greater risk of injury for persons who are not riding in a seat with their seat belt securely fastened.
- Seat belts should always be adjusted as follows:
 - the lap portion of the belt should be worn low across the pelvis, not across the waist.
 - the shoulder straps should be worn on the outside shoulder only, and never under the arm.
 - the shoulder straps should be away from your face and neck, but not falling off your shoulder.

(Continued)



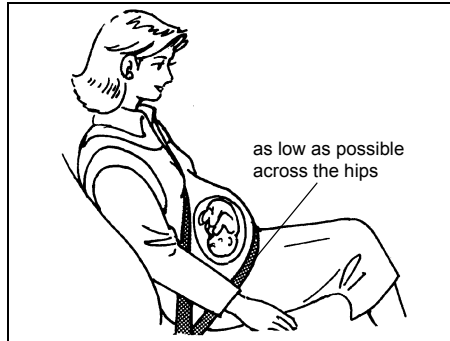
65D201

⚠ WARNING

(Continued)

- Seat belts should never be worn with the straps twisted and should be adjusted as tightly as is comfortable to provide the protection for which they have been designed. A slack belt will provide less protection than one which is snug.
- Make sure that each seat belt buckle is inserted into the proper buckle catch. It is possible to cross the buckles in the rear seat.

(Continued)



65D199

⚠ WARNING

(Continued)

- Pregnant women should use seat belts, although specific recommendations about driving should be made by the woman's medical advisor. Remember that the lap portion of the belt should be worn as low as possible across the hips, as shown in the diagram.
- Do not wear your seat belt over hard or breakable objects in your pockets or on your clothing. If an accident occurs, objects such as glasses, pens, etc. under the seat belt can cause injury.

(Continued)

⚠ WARNING

(Continued)

- Never use the same seat belt on more than one occupant and never attach a seat belt over an infant or child being held on an occupant's lap. Such seat belt use could cause serious injury in the event of an accident.
- Periodically inspect seat belt assemblies for excessive wear and damage. Seat belts should be replaced if webbing becomes frayed, contaminated, or damaged in any way. It is essential to replace the entire seat belt assembly after it has been worn in a severe impact, even if damage to the assembly is not obvious.
- Children age 12 and under should ride properly restrained in the rear seat.
- Infants and small children should never be transported unless they are properly restrained. Restraint systems for infants and small children can be purchased locally and should be used. Make sure that the system you purchase meets applicable safety standards. Read and follow all the directions provided by the manufacturer.

(Continued)

WARNING

(Continued)

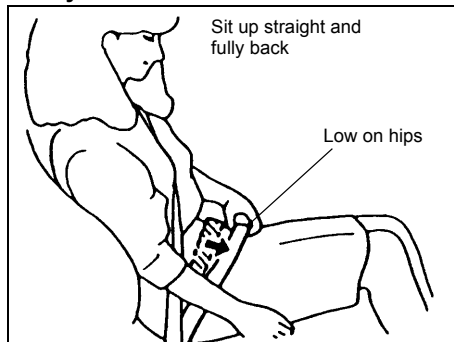
- For children, if the shoulder belt irritates the neck or face, move the child closer to the center of the vehicle.
- Avoid contamination of seat belt webbing by polishes, oils, chemicals, and particularly battery acid. Cleaning may safely be carried out using mild soap and water.
- Do not insert any items such as coins, clips, etc. into the seat belt buckles, and be careful not to spill liquids into these parts. If foreign materials get into a seat belt buckle, the seat belt may not work properly.
- All seatbacks should always be in an upright position when driving, or seat belt effectiveness may be reduced. Seat belts are designed to offer maximum protection when seatbacks are in the upright position.

Lap-Shoulder Belt

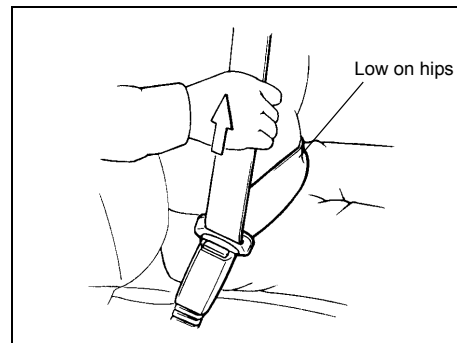
Emergency locking retractor (ELR)

The seat belt has an emergency locking retractor (ELR), which is designed to lock the seat belt only during a sudden stop or impact. It also may lock if you pull the belt across your body very quickly. If this happens, let the belt go back to unlock it, then pull the belt across your body more slowly.

Safety reminder

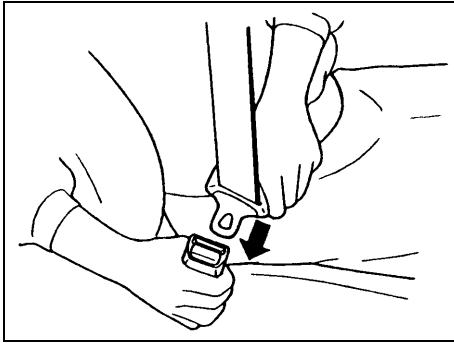


60A038



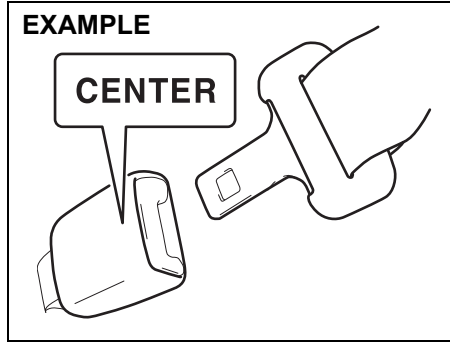
60A040

To reduce the risk of sliding under the belt during a collision, position the lap portion of the belt across your lap as low on your hips as possible and adjust it to a snug fit by pulling the shoulder portion of the belt upward through the latch plate. The length of the diagonal shoulder strap adjusts itself to allow freedom of movement.



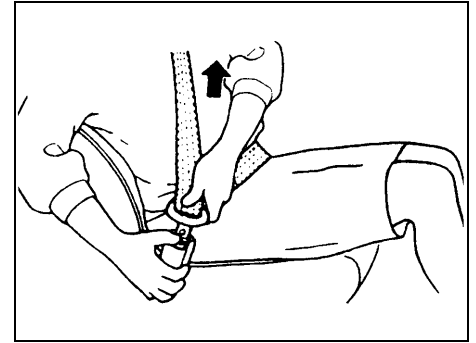
60A036

To fasten the seat belt, sit up straight and well back in the seat, pull the latch plate attached to the seat belt across your body and press it straight into the buckle until you hear a “click”.



80J2008

NOTE:
The word “CENTER” is marked on the buckle for the rear center belt. The buckles are designed so a latch plate cannot be inserted into the wrong buckle.



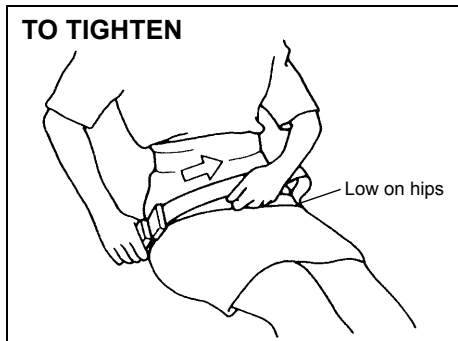
60A039

To unfasten the seat belt, push the “PRESS” button on the buckle and retract the belt slowly while attaching a hand to the belt or/and the latch plate.

BEFORE DRIVING

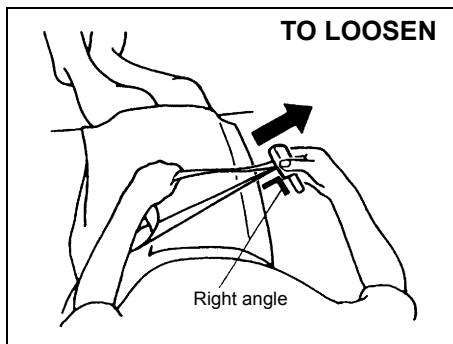
Lap Belt (if equipped)

To fasten the belt, pull the latch plate attached to the seat belt across your hips and press it straight into the buckle until you hear a “click”. To reduce the risk of sliding under the belt during a collision, position the belt across your lap as low on your hips as possible and adjust it to a snug fit.



80JS028

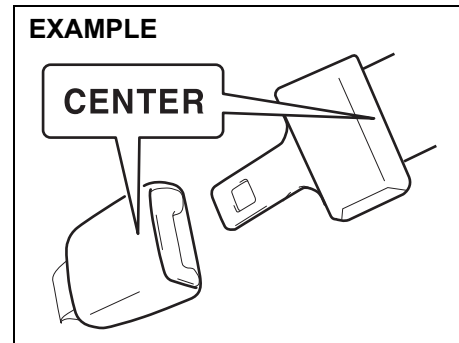
To tighten the belt, pull the free end of the belt across alongside the lap strap.



80JS029

To lengthen, release the latch plate from the buckle, pull the latch plate (adjuster) in the direction of the arrow, at right angles to the belt. The latch plate should then be refitted into the buckle and the belt tightened as previously described.

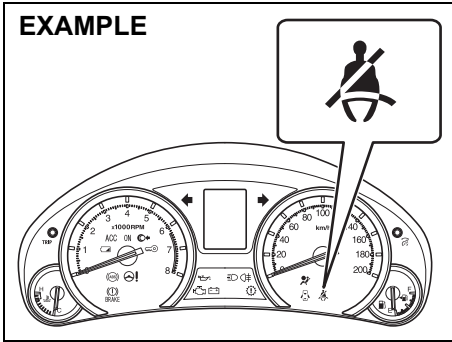
To unfasten the belt, press the release button on the buckle catch.



79MH0239

NOTE:

The word “CENTER” is marked on the buckle for the rear center belt. The buckles are designed so a latch plate cannot be inserted into the wrong buckle.

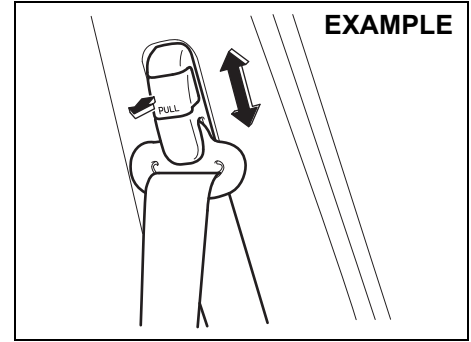
Driver's Seat Belt Reminder**EXAMPLE**

79PS00202

When the driver doesn't buckle his or her seat belt with the ignition switch in the "ON" position or the ignition mode is "ON", the driver's seat belt reminder light in the instrument cluster will blink until the driver's seat belt is buckled.

⚠ WARNING

It is absolutely essential that the driver and passengers wear their seat belts at all times. Persons who are not wearing seat belts have a much greater risk of injury if an accident occurs. Make a regular habit of buckling your seat belt before putting the key in the ignition or pressing the engine mode.

Shoulder Anchor Height Adjuster**EXAMPLE**

64J198

Adjust the shoulder anchor height so that the shoulder belt rides on the center of the outboard shoulder. To move upward, slide the anchor up. To move downward, slide the anchor down while pulling the lock knob out. After adjustment, make sure that the anchor is securely locked.

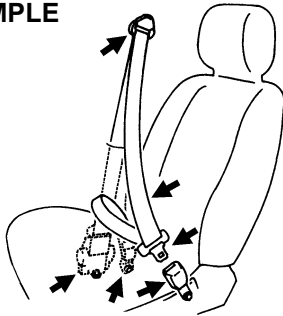
⚠ WARNING

Be sure that the shoulder belt is positioned on the center of the outside shoulder. The belt should be away from your face and neck, but not falling off your shoulder. Misadjustment of the belt could reduce the effectiveness of the safety belt in a crash.

BEFORE DRIVING

Seat Belt Inspection

EXAMPLE



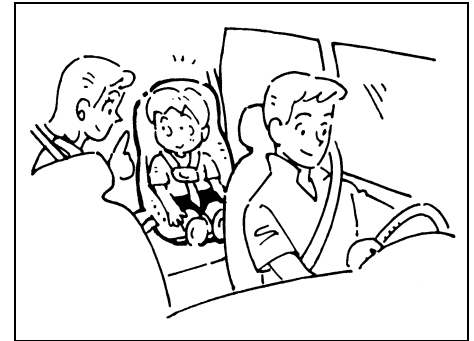
65D209S

Periodically inspect the seat belts to make sure they work properly and are not damaged. Check the webbing, buckles, latch plates, retractors, anchorages, and guide loops. Replace any seat belts which do not work properly or are damaged.

WARNING

Be sure to inspect all seat belt assemblies after any collision. Any seat belt assembly which was in use during a collision (other than a very minor one) should be replaced, even if damage to the assembly is not obvious. Any seat belt assembly which was not in use during a collision should be replaced if it does not function properly, it is damaged in any way or the seat belt pretensioners were activated (that is, if the front air bags were activated).

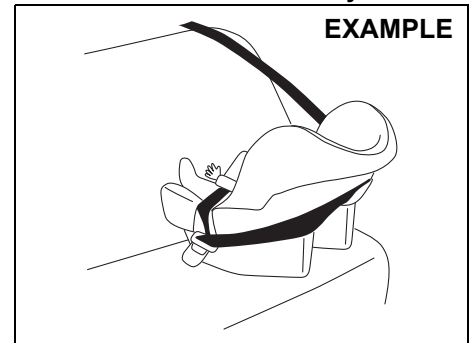
Child Restraint Systems



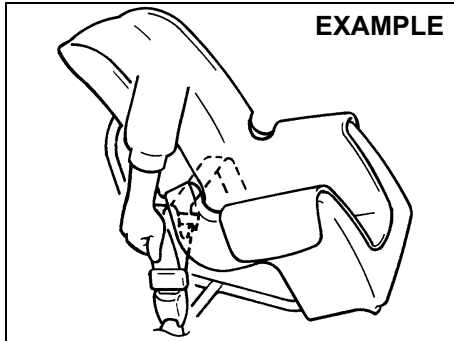
60G332S

Infant restraint - rear seat only

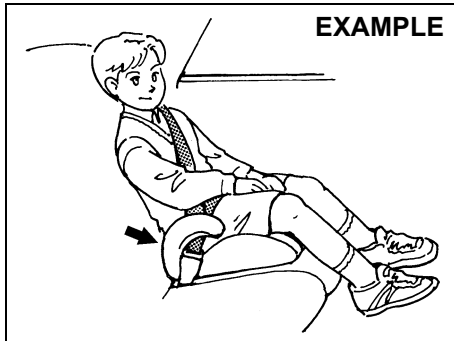
EXAMPLE



80JC007

Child restraint

80JC016

Booster seat

80JC008

SUZUKI highly recommends that you use a child restraint system to restrain infants and small children. Many different types of child restraint systems are available; make

sure that the restraint system you select meets applicable safety standards.

All child restraint systems are designed to be secured on vehicle seats by seat belts (lap belts or the lap portion of lap-shoulder belts). Whenever possible, SUZUKI recommends that child restraint systems be installed on the rear seat. According to accident statistics, children are safer when properly restrained in rear seating positions than in front seating positions.

If you must use a front-facing child restraint in the front passenger's seat, adjust the passenger's seat as far back as possible.

NOTE:

Observe any statutory regulation about child restraints.



58MS030

▲ WARNING

If your vehicle is equipped with a front passenger air bag, do not install a rear-facing child restraint in the front passenger's seat. If the passenger's air bag inflates, a child in a rear-facing child restraint could be killed or seriously injured. The back of a rear-facing child restraint would be too close to the inflating air bag.

WARNING

If you install a child restraint system in the rear seat, slide the front seat far enough forward so that the child's feet do not touch the front seatback. This will help avoid injury to the child in the event of an accident.



65D608



65D609

WARNING

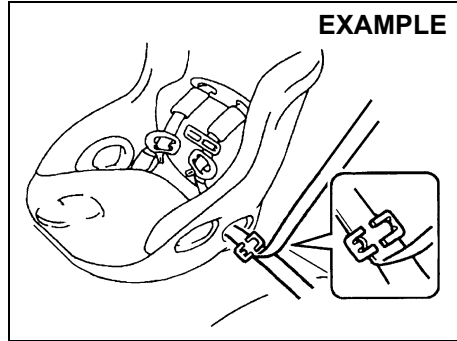
Children could be endangered in a crash if their child restraint systems are not properly secured in the vehicle. When installing a child restraint system, be sure to follow the instructions below. Be sure to secure the child in the restraint system according to the manufacturer's instructions.

WARNING

In an accident or sudden stop, the rear seat armrest (if equipped) could fall forward. If there is a child in a rear-facing child restraint in the rear center seating position, the falling armrest could injure the child. Do not install a rear-facing child restraint in the rear center seating position.

Installation with Lap-Shoulder Seat Belts

ELR type belt



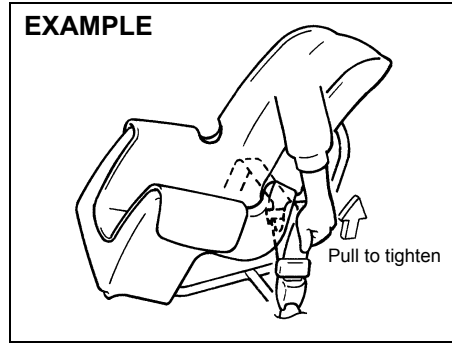
80JC021

Install your child restraint system according to the instructions provided by the child restraint system manufacturer.

Make sure that the seat belt is securely latched.

Try to move the child restraint system in all directions to make sure it is securely installed.

Installation with a Lap Belt

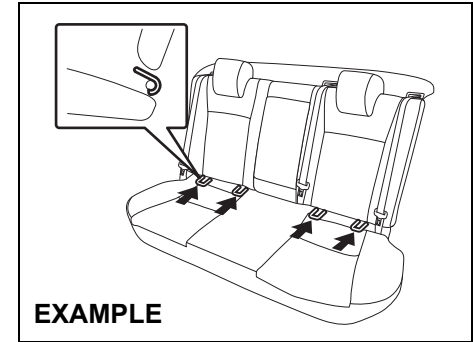


60G132A

Install your child restraint system according to the instructions provided by the child restraint system manufacturer.

To lengthen or tighten the belt, refer to the “**Lap-belt**” item in this “Seat Belts and Child Restraint Systems” section. After making sure that the seat belt is securely latched, try moving the child restraint system in all directions, to make sure it is securely installed. If you need to tighten the belt, pull the free end of the webbing.

Installation with ISOFIX type Anchorages (if equipped)



79MS00215

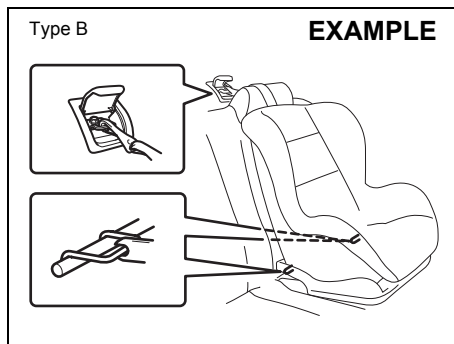
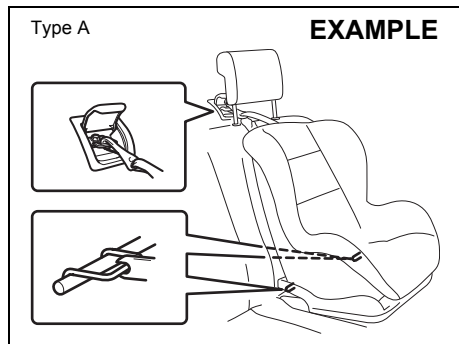
Your vehicle is equipped with the lower anchorages in the rear seat outboard seating positions for securing a ISOFIX type of child restraints with the connecting bars. The lower anchorages are located where the rear of the seat cushion meets the bottom of the seatback.

⚠ WARNING

Be sure to install the ISOFIX type of child restraint(s) in the only outboard seating positions, not in the central position for rear seat.

BEFORE DRIVING

Install the ISOFIX type child restraint system according to the instructions provided by the child restraint system manufacturer. After installing, try moving the child restraint system in all directions especially forward to make sure the connecting bars are securely latched to the anchorages.



Be sure to use the top tether strap of the child restraint according to the instructions provided by the child restraint system manufacturer.

Here is a general instruction:

- 1) If you can adjust the position of head restraint, raise the head restraint to the most upper position.

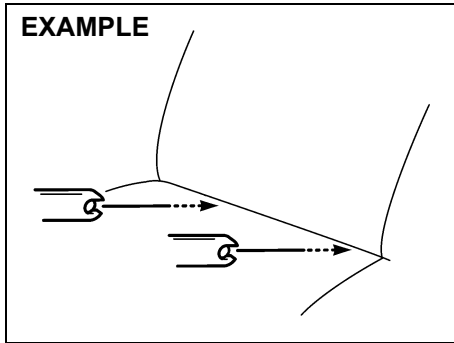
NOTICE

Before installing a child restraint system in the rear seat, raise the head restraint to the most upper position.

NOTE:

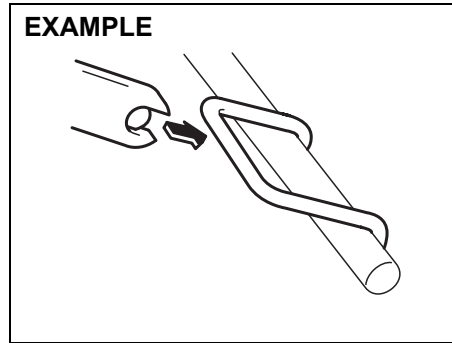
If the most upper position head restraint interferes a child restraint system and prevents the child restraint system from being installed securely, remove the head restraint.

Stow the removed head restraint in the luggage compartment so it will not inconvenience the occupants.



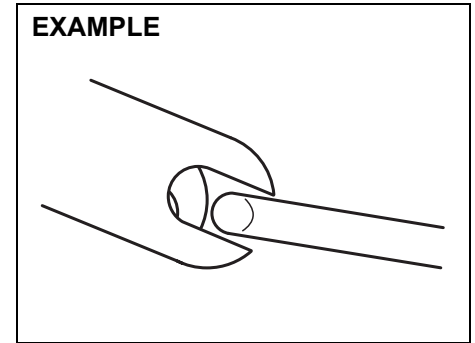
78F114

2) Place the child restraint in the rear seat, inserting the connecting bars to the anchorages between the seat cushion and the seatback.



54G183

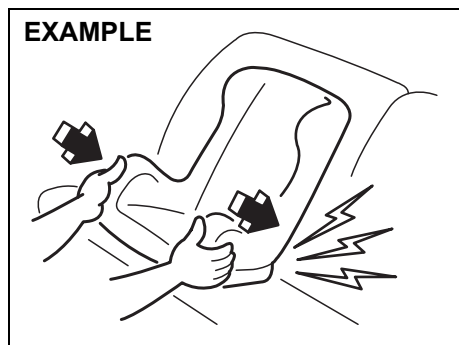
3) Use your hands to carefully align the connecting bar tips with the anchorages. Take care not to pinch your fingers.



54G184

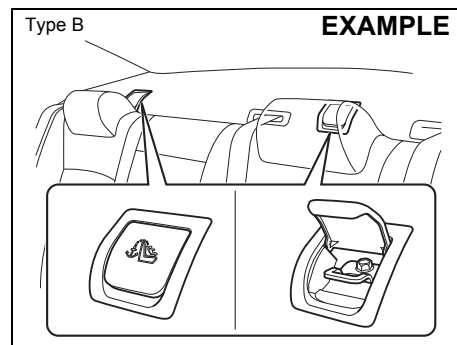
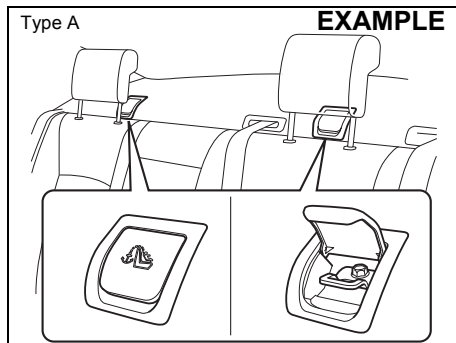
4) Push the child restraint toward the anchorages so that the connecting bar tips are partially hooked to the anchorages. Use your hands to confirm the position.

BEFORE DRIVING



- 5) Grasp the front of the child restraint and push the child restraint forcefully to latch the connecting bars. Make sure they are securely latched by trying to move the child restraint system in all directions, especially forward.
- 6) Attach the top tether strap referring to "Installation of Child Restraint with Top Tether" section below. (if equipped)

Installation of Child Restraint with Top Tether (if equipped)



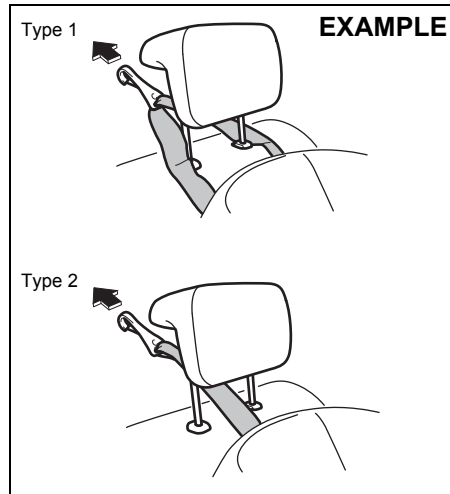
Some child restraint systems require the use of a top tether strap. Top tether anchorage brackets are provided in your vehicle at the locations shown in the illustrations. The number of the top tether anchorage brackets provided in your vehicle depends on the vehicle specification.

Install the child restraint system as follows:

- 1) If you can adjust the position of head restraint, raise the head restraint to the most upper position.
- 2) Secure the child restraint on the rear seat using the procedure described above for securing a restraint system that does not require a top tether strap.
- 3) Open the cover that is marked with the top tether anchorage bracket symbol to access the top tether anchorage bracket. Close the cover when not using the top tether anchorage bracket.
- 4) Hook the top tether strap to the top tether anchorage bracket and tighten the top tether strap according to the instructions provided by the child restraint system manufacturer. Be sure to attach the top tether strap to the corresponding top tether anchorage bracket located directly behind the child restraint. Do not attach the top tether strap to the luggage restraint loops (if equipped).

▲ WARNING

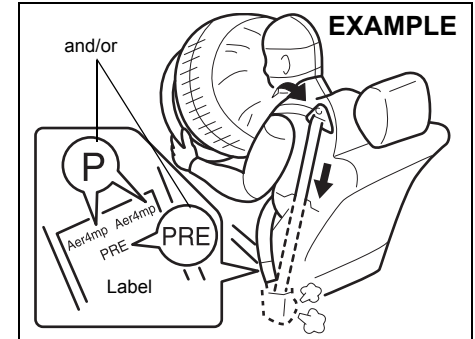
Do not attach the child restraint top tether strap to the luggage restraint loops (if equipped). Incorrectly attached top tether strap will reduce the intended effectiveness of the child restraint system.



86G032

- 5) Install the head restraint, then pass the top strap under the head restraint as shown in the illustration. (Refer to "Head Restraints" section for details on how to raise or lower the head restraint.)

Seat Belt Pretensioner System



63J269

▲ WARNING

This section of the owner's manual describes your SUZUKI's SEAT BELT PRETENSIONER SYSTEM. Please read and follow ALL these instructions carefully to minimize your risk of severe injury or death.

BEFORE DRIVING

To determine if your vehicle is equipped with a seat belt pretensioner system at the front seating positions, check the label on the front seat belt at the bottom part. If the letters “p” and/or “PRE” appear as illustrated, your vehicle is equipped with the seat belt pretensioner system. You can use the pretensioner seat belts in the same manner as ordinary seat belts.

Read this section and the “Supplemental Restraint System (air bags)” section to learn more about the pretensioner system.

The seat belt pretensioner system works with the SUPPLEMENTAL RESTRAINT SYSTEM (Air Bags). The crash sensors and the electronic controller of the air bag system also control the seat belt pretensioners. The pretensioners are activated in the event of a frontal crash which is severe enough to trigger the air bags.

For precautions and general information including servicing the pretensioner system, refer to the “Supplemental Restraint System (air bags)” section in addition to this “Seat Belt Pretensioner System” section, and follow all those precautions.

The pretensioner is located in each front seat belt retractor. The pretensioner tightens the seat belt so the belt fits the occupant’s body more snugly in the event of a frontal crash. The retractors will remain locked after the pretensioners are activated. Upon activation, some noise will occur and some smoke may be released.

These conditions are not harmful and do not indicate a fire in the vehicle.

The driver and all passengers must be properly restrained by wearing seat belts at all times, whether or not a pretensioner is equipped at their seating position, to minimize the risk of severe injury or death in the event of a crash.

Sit fully back in the seat; sit up straight; do not lean forward or sideways. Adjust the belt so the lap portion of the belt is worn low across the pelvis, not across the waist. Please refer to the “Seat Adjustment” section and the instructions and precautions about the seat belts in this “Seat Belts and Child Restraint Systems” section for details on proper seat and seat belt adjustments.

Please note that the pretensioners along with the air bags will activate in severe frontal collisions. They are not designed to activate in rear impacts, side impacts, roll-overs, or minor frontal collisions. The pretensioners can be activated only once. If the pretensioners are activated (that is, if the air bags are activated), have the pretensioner system serviced by an authorized SUZUKI dealer as soon as possible.

If the “AIR BAG” light on the instrument cluster does not blink or come on briefly when the ignition switch is turned to the “ON” position or the engine switch is pressed to change the ignition mode to “ON”, stays on for more than 10 seconds, or comes on while driving, the pretensioner system or the air bag system may not work properly. Have both systems inspected by an authorized SUZUKI dealer as soon as possible.

Service on or around the pretensioner system components or wiring must be performed only by an authorized SUZUKI dealer who is specially trained. Improper service could result in unintended activation of pretensioners or could render the pretensioner inoperative. Either of these two conditions may result in personal injury.

To prevent damage or unintended activation of the pretensioners, be sure the battery is disconnected and the ignition switch has been in the “LOCK” position or the ignition mode has been “LOCK” (OFF) for at least 90 seconds before performing any electrical service work on your SUZUKI.

Do not touch pretensioner system components or wiring. The wires are wrapped with yellow tape or yellow tubing, and the couplers are yellow. When scrapping your SUZUKI, ask your SUZUKI dealer, body repair shop, or scrap yard for assistance.

Supplemental Restraint System (air bags)

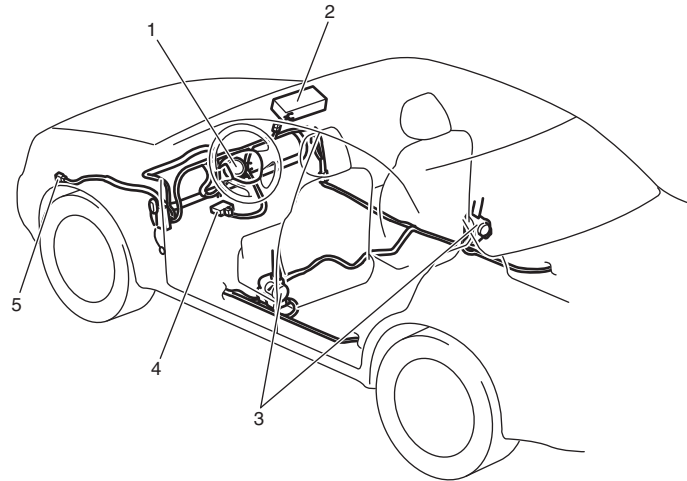
⚠ WARNING

This section of the owner's manual describes the protection provided by your SUZUKI's SUPPLEMENTAL RESTRAINT SYSTEM (air bags). Please read and follow ALL these instructions carefully to minimize your risk of severe injury or death in the event of a collision.

Your vehicle is equipped with a Supplemental Restraint System consisting of the following components in addition to a lap-shoulder belt at each seating position.

1. Driver's front air bag module
2. Front passenger's front air bag module
3. Seat belt pretensioners
4. Air bag controller
5. Forward crash sensor

EXAMPLE



79MS00218

BEFORE DRIVING

⚠ WARNING

An air bag supplements, or adds to, the crash protection offered by seat belts. The driver and all passengers must be properly restrained by wearing seat belts at all times, whether or not an air bag is mounted at their seating position, to minimize the risk of severe injury or death in the event of a crash.

“AIR BAG” light



63J030

If the “AIR BAG” light on the instrument cluster does not blink or come on when the ignition switch is first turned to the “ON” position, or the ignition mode is first changed to “ON”, or the “AIR BAG” light stays on, or comes on while driving, the air bag system (or the seat belt pretensioner system) may not work properly. Have the air bag system inspected by an authorized SUZUKI dealer as soon as possible.

Air bag symbol meaning

EXAMPLE



72M00150

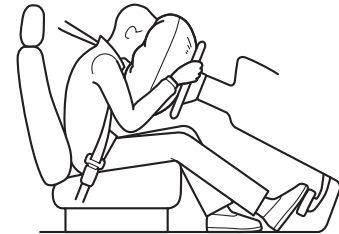
You may find this label on the sun visor.

⚠ WARNING

NEVER use a rearward facing child restraint on a seat protected by an ACTIVE AIRBAG in front of it, DEATH or SERIOUS INJURY to the CHILD can occur.

Front Air Bags

EXAMPLE



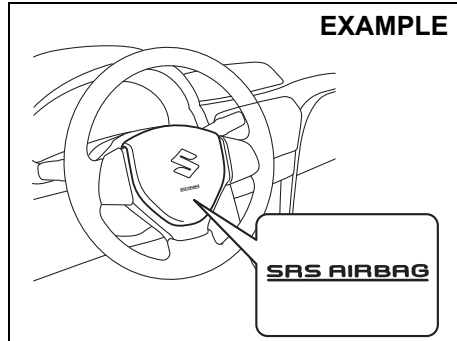
63J259

Front air bags are designed to inflate in severe frontal collisions when the ignition switch is in the “ON” position or the ignition mode is “ON”.

Front air bags are not designed to inflate in rear impacts, side impacts, rollovers or minor frontal collisions, since they would offer no protection in those types of accidents. Remember, since an air bag deploys only one time during an accident, seat belts are needed to restrain occupants from further movements during the accident.

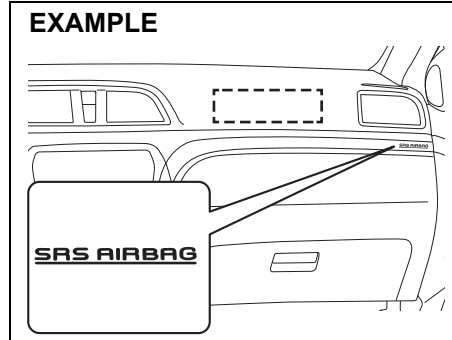
Therefore, an air bag is NOT a substitute for seat belts. To maximize your protection, **ALWAYS WEAR YOUR SEAT BELTS**. Be aware that no system can prevent all possible injuries that may occur in an accident.

Driver's front air bag



79MS00219

Front passenger's front air bag



79MS00220

The driver's front air bag is located behind the center pad of the steering wheel and the front passenger's front air bag is located behind the passenger's side of the dashboard.

The words "SRS AIRBAG" are molded into the air bag covers to identify the location of the air bags.



58MS030

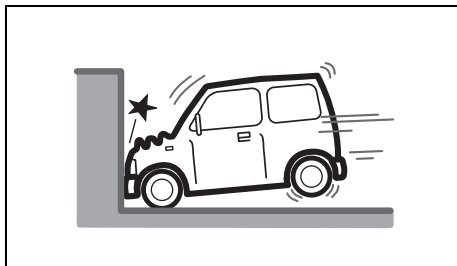
⚠ WARNING

Do not install a rear-facing child restraint in the front passenger's seat. If the passenger's front air bag inflates, a child in a rear-facing child restraint could be killed or severely injured. The back of a rear-facing child restraint would be too close to the inflating air bag.

Please refer to the "Seat Belts and Child Restraint Systems" section in this section for details on securing your child.

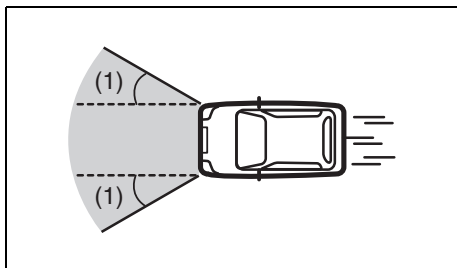
BEFORE DRIVING

Conditions of front air bags deployment (inflation)



80J097

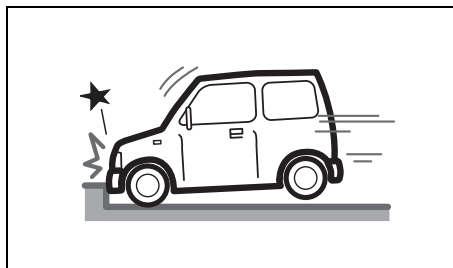
- In frontal collisions with a fixed wall that does not move or deform in more than about 25 km/h (15 mph)



80J098E

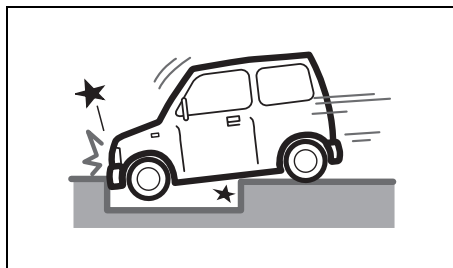
- In collisions such as above at an angle of about 30 degrees (1) or less from the front

Conditions of front air bags may inflate
Receiving a strong impact to the lower body of your vehicle, the front air bags will inflate in many cases.



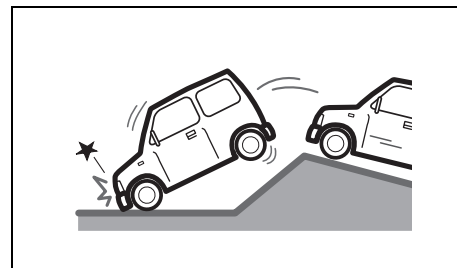
80J099

- Hitting a curb or medial strip



80J100E

- Falling into a deep hole or ditch

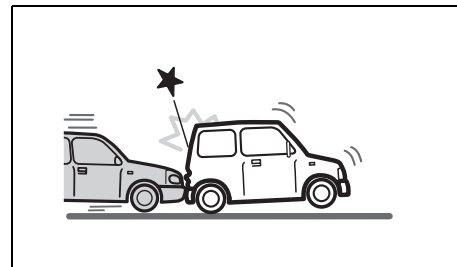


80J101

- Landing hard or falling

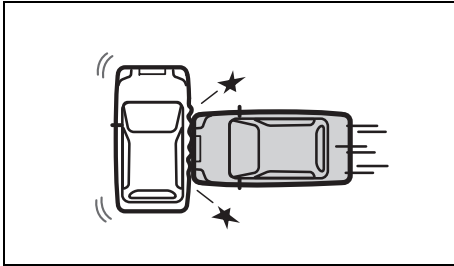
Front air bags might inflate in a strong impact

Front air bags do not inflate basically in rear collision, side collision or rollovers, etc., however, these might inflate in a strong impact.



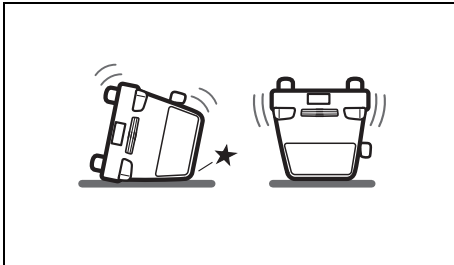
80J120

- Collision from the rear



80J119

- Collision from the side

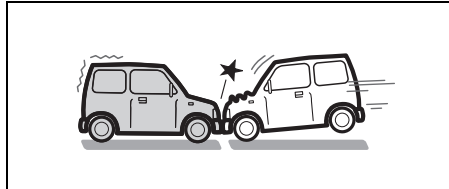


80J110

- Vehicle rollover

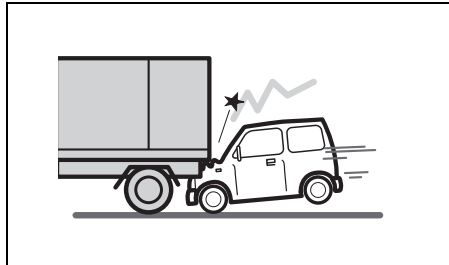
Front air bags may not inflate

The front air bags may not inflate when the impact is absorbed since the collision object moved, vehicle body deformed, or collision angle was greater than about 30 degrees from the front.



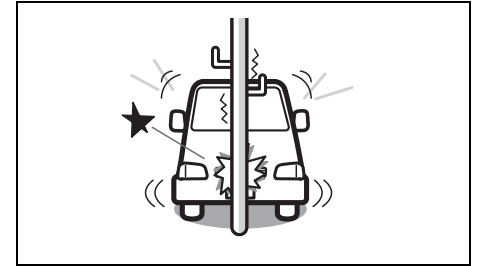
80J102

- Approximately 50 km/h (30 mph) or lower speed frontal collision to a stopped vehicle



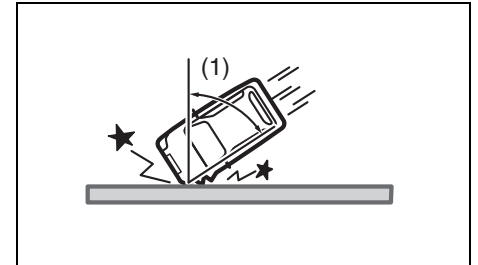
80J103

- Collision that the front of your vehicle goes under the bed of a truck etc.



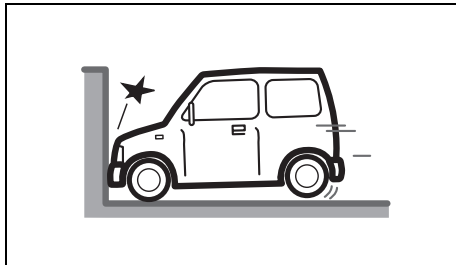
80J104

- Collision with a utility pole or stumpage



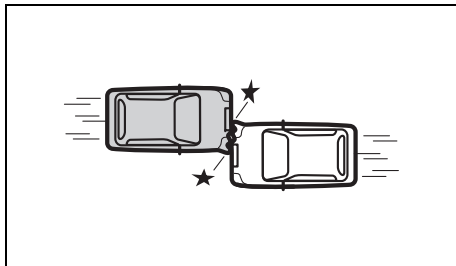
80J105E

- Collision with a fixed wall or guardrail at an angle of greater than about 30 degrees (1) from the front



80J106

- In frontal collisions with a fixed wall that does not move or deform in less than about 25 km/h (15 mph)



80J107

- Collision angle is offset from the vehicle angle (offset collision)

How the system works

In a frontal collision, the crash sensors will detect rapid deceleration, and if the controller judges that the deceleration represents a severe frontal crash, the controller will trigger the inflators. The inflators inflate the air bags with nitrogen or argon gas. The inflated air bags provide a cushion for your head and upper body. The air bag inflates and deflates so quickly that you may not even realize that it has activated. The air bag will neither hinder your view nor make it harder to exit the vehicle.

Air bags must inflate quickly and forcefully in order to reduce the chance of serious or fatal injuries. However, an unavoidable consequence of the quick inflation is that the air bag may irritate bare skin, such as the facial area. Also, upon inflation, a loud noise will occur and some powder and smoke will be released. These conditions are not harmful and do not indicate a fire in the vehicle. Be aware, however, that some air bag components may be hot for a while after inflation.

A seat belt helps keep you in the proper position for maximum protection when an air bag inflates. Adjust your seat as far back as possible while still maintaining control of the vehicle. Sit fully back in your seat; sit up straight; do not lean over the steering wheel or dashboard. Please refer to the “Front Seat” section and the “Seat Belts and Child Restraint Systems” section in this section for details on proper seat and seat belt adjustments.



65D610

⚠ WARNING

- **The driver should not lean over the steering wheel. The front passenger should not rest his or her body against the dashboard, or otherwise get too close to the dashboard. In these situations, the out-of-position occupant would be too close to an inflating air bag, and may suffer severe injury.**

(Continued)

⚠ WARNING

(Continued)

- **Do not attach any objects to, or place any objects over, the steering wheel or dashboard. Do not place any objects between the air bag and the driver or front passenger. These objects may interfere with air bag operation or may be propelled by the air bag in the event of a crash. Either of these conditions may cause severe injury.**

Note that even though your vehicle may be moderately damaged in a frontal collision, the collision may not have been severe enough to trigger the air bags to inflate. If your vehicle sustains ANY front-end damage, have the air bag system inspected by an authorized SUZUKI dealer to ensure it is in proper working order.

Your vehicle is equipped with a diagnostic module which records information about the air bag system if the air bags deploy in a crash. The module records information about overall system status, which sensors activated the deployment.

Servicing the air bag system

If the air bags inflate, have the air bags and related components replaced by an authorized SUZUKI dealer as soon as possible.

If your vehicle ever gets in deep water and the driver's floor is submerged, the air bag controller could be damaged. If it does, have the air bag system inspected by the SUZUKI dealer as soon as possible.

Special procedures are required for servicing or replacing an air bag. For that reason, only an authorized SUZUKI dealer should be allowed to service or replace your air bags. Please remind anyone who services your SUZUKI that it has air bags.

Service on or around air bag components or wiring must be performed only by an authorized SUZUKI dealer. Improper service could result in unintended air bag deployment or could render the air bag inoperative. Either of these two conditions may result in severe injury.

To prevent damage or unintended inflation of the air bag system, be sure the battery is disconnected and the ignition switch has been in the "LOCK" position or the ignition mode has been "LOCK" (OFF) for at least 90 seconds before performing any electrical service work on your SUZUKI. Do not touch air bag system components or wires. The wires are wrapped with yellow tape or yellow tubing, and the couplers are yellow for easy identification.

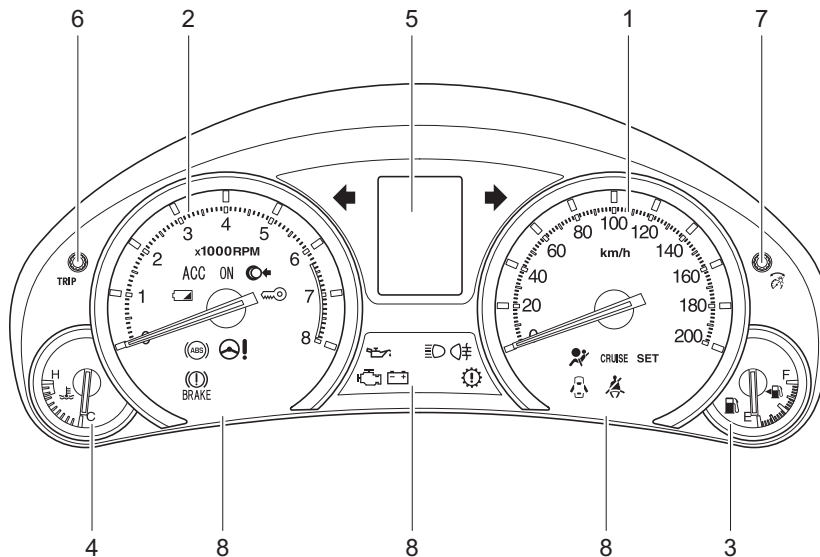
Scrapping a vehicle that has an uninflated air bag can be hazardous. Ask your dealer, body repair shop or scrap yard for help with disposal.

BEFORE DRIVING

Instrument Cluster

1. Speedometer
2. Tachometer
3. Fuel gauge
4. Temperature gauge
5. Information display
6. Trip meter selector knob
7. Indicator selector knob
8. Warning and indicator lights

EXAMPLE



Speedometer

The speedometer indicates vehicle speed.

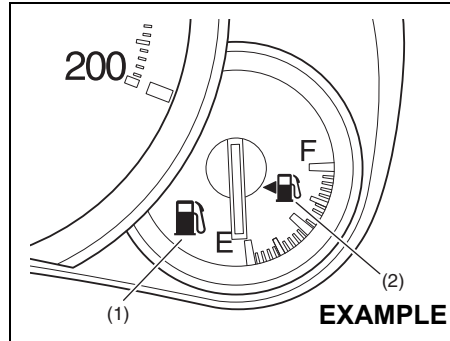
Tachometer

The tachometer indicates engine speed in revolutions per minute.

NOTICE

Never drive the vehicle with the engine revving in the red zone or severe engine damage can result. Keep the engine speed below the red zone even when downshifting to a lower gear position. Refer to “Downshifting maximum allowable speeds” in the “OPERATING YOUR VEHICLE” section.

Fuel Gauge



79MH0225

When the ignition switch is in the “ON” position or the ignition mode is “ON”, this gauge gives an approximate indication of the amount of fuel in the fuel tank. “F” stands for full and “E” stands for empty.

If the indicator gets off the graduation of “E” (not character “E”), refill the tank as soon as possible.

NOTE:

The indicator moves a little depending on road conditions (for example, slope or curve) and driving conditions because of fuel moving in the tank.

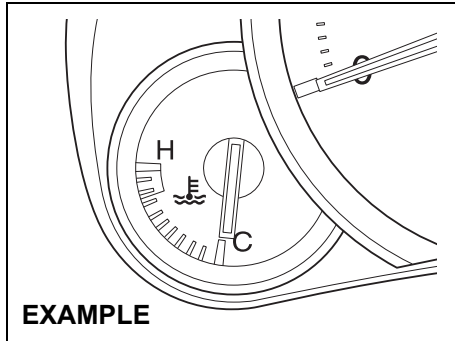
If the low fuel warning light (1) comes on, fill the fuel tank immediately.

Refer to “Low Fuel Warning Light” in “Warning and Indicator Lights” in this section for details.

The mark (2) indicates that the fuel filler door is located on the left side of the vehicle.

BEFORE DRIVING

Temperature Gauge



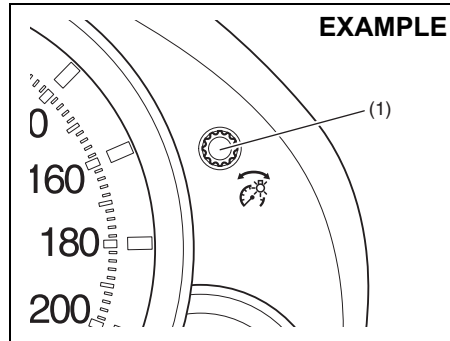
79MH0226

When the ignition switch is in the "ON" position or the ignition mode is "ON", this gauge indicates the engine coolant temperature. Under normal driving conditions, the indicator should stay within the normal, acceptable temperature range between "H" and "C". If the indicator approaches "H", overheating is indicated. Follow the instructions for engine overheating in the "EMERGENCY SERVICE" section.

NOTICE

Continuing to drive the vehicle when engine overheating is indicated can result in severe engine damage.

Brightness Control



79MH0227

When the ignition switch is turned to the "ON" position or the engine switch is pressed to change the ignition mode to "ON", the instrument cluster lights come on.

Your vehicle has a system to automatically dim the brightness of the instrument panel lights when the position lights or headlights are on.

When the position lights and/or headlights are ON, you can control the meter illumination intensity.

To increase the brightness of the instrument panel lights, turn the brightness control knob (1) clockwise.

To reduce the brightness of the instrument panel lights, turn the brightness control knob (1) counterclockwise.

⚠ WARNING

If you attempt to adjust the display while driving, you could lose control of the vehicle.

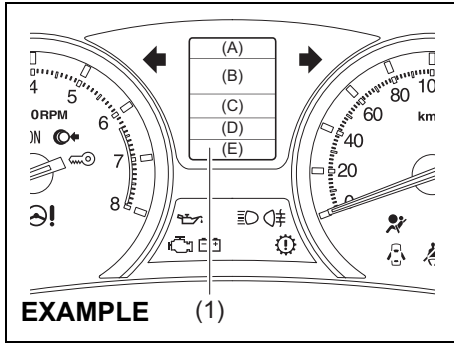
Do not attempt to adjust the display while driving.

NOTE:

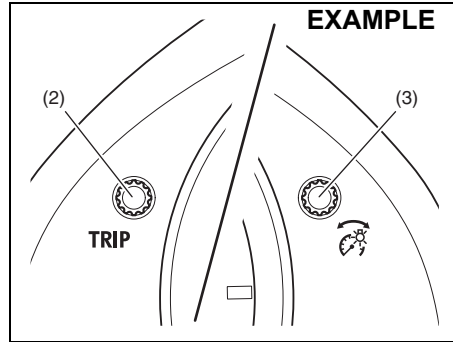
- If you do not turn the knob within several seconds of activating the brightness control, the brightness control display will be canceled automatically.
- When you reconnect the battery, the brightness of the instrument panel lights will be reinitialized. Readjust the brightness according to your preference.

Information Display

The information display is shown when the ignition switch is in the "ON" position or the ignition mode is "ON".



(1) Information display



- (2) Trip meter selector knob
- (3) Indicator selector knob

The information display shows the following information.

Display (A)
Thermometer

Display (B) (for automatic transaxle vehicles)
Transaxle selector position indicator

Display (C)
Trip meter / Instantaneous fuel consumption / Average fuel consumption / Driving range

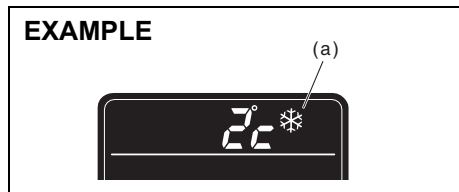
Display (D)
Odometer

Display (E)
Clock

BEFORE DRIVING

Thermometer

When the ignition switch is in the “ON” position or the ignition mode is “ON”, the display (A) shows the thermometer. The thermometer indicates the outside temperature.



68LM258

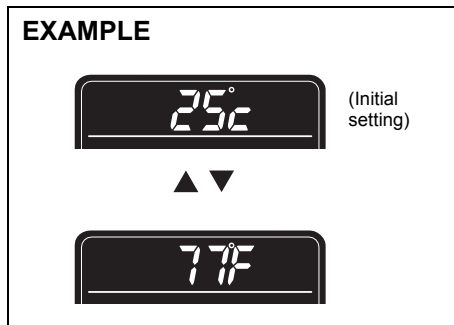
If the outside temperature nears freezing, the mark (a) will appear on the display.

NOTE:

- The outside temperature indication is not the actual outside temperature when driving at low speed, or when stopped.
- If there is something wrong with the thermometer, or just after the ignition switch is turned to the “ON” position or the engine switch is pressed to change the ignition mode to “ON”, the display may not indicate the outside temperature.

When the display (C) shows the driving range, you can change the unit of temperature.

To change the unit of temperature, while pushing and holding the trip meter selector knob (2), turn the indicator selector knob (3).



68LM259

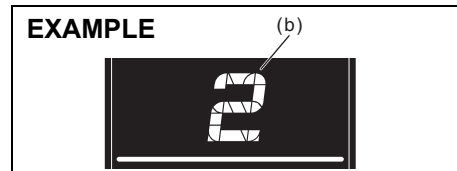
NOTE:

When you change the unit that temperature is displayed in, the air conditioning system temperature display unit will be changed automatically.

NOTE:

When you reconnect the negative (-) terminal to the battery, the unit of temperature will be reinitialized. Change the unit again to your preference.

Transaxle selector position indicator (for automatic transaxle vehicles)



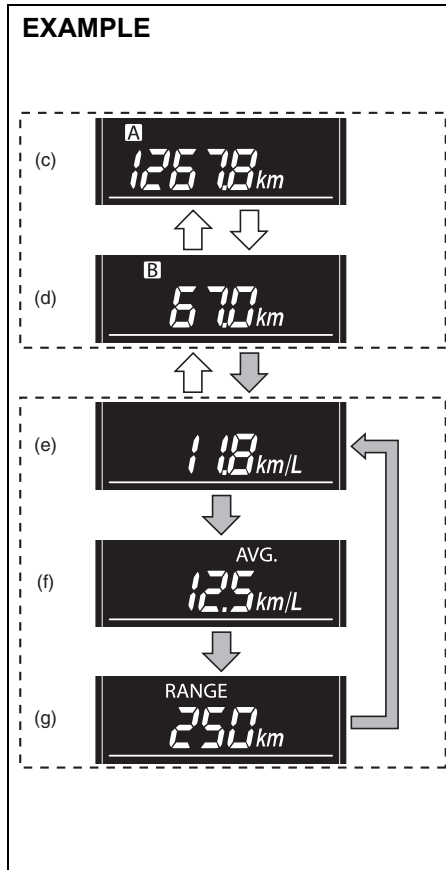
68LM260

When the ignition switch is in the “ON” position or the ignition mode is “ON”, the display (B) indicates the gear position (b). For details on how to use the transaxle, refer to “Using the Transaxle” in the “OPERATING YOUR VEHICLE” section.

Trip meter / Instantaneous fuel consumption / Average fuel consumption / Driving range

When the ignition switch is in the "ON" position or the ignition mode is "ON", the display (C) shows one of the following five indications, trip meter A, trip meter B, Instantaneous fuel consumption, Average fuel consumption or Driving range.

To switch the display indication (C), push the trip meter selector knob (2) or the indicator selector knob (3) quickly.



↑ ↓	Push the trip meter selector knob (2).
↑ ↓	Push the indicator selector knob (3).

- (c) Trip meter A
- (d) Trip meter B
- (e) Instantaneous Fuel Consumption
- (f) Average fuel consumption
- (g) Driving range

⚠ WARNING

If you attempt to adjust the display while driving, you could lose control of the vehicle.

Do not attempt to adjust the display while driving.

NOTE:

- Indications will change when you push and release a knob.
- The display shows estimated values. Indications may not be the same as actual values.

79MH0230

BEFORE DRIVING

Trip meter

The trip meter can be used to measure the distance traveled on short trips or between fuel stops.

You can use the trip meter A or trip meter B independently.

To reset the trip meter to zero, push and hold the trip meter selector knob (2) for a while when the display shows the trip meter.

NOTE:

The indicated maximum value of the trip meter is 9999.9. When you run past the maximum value, the indicated value will return to 0.0.

Instantaneous Fuel Consumption

If you selected instantaneous fuel consumption the last time you drove the vehicle, the display does not show the last value of instantaneous fuel consumption from previous driving when the ignition switch is turned to the "ON" position or the engine switch is pressed to change the ignition mode to "ON". The display shows the value only when the vehicle is moving.

NOTE:

- *The display does not show the value unless the vehicle is moving.*
- *Depending on the vehicle's specification, the fuel consumption units of initial setting are indicated as L/100km or km/L.*
- *For "L/100km" or "km/L" setting, the indicated maximum value of instantaneous fuel consumption is 30. No more than 30 will be indicated on the display even if the actual instantaneous fuel consumption is higher.*
- *The indication on the display may be delayed if fuel consumption is greatly affected by driving conditions.*
- *The display shows estimated values. Indications may not be the same as actual values.*
- *For "L/100km" or "km/L" setting, you can change the units that instantaneous fuel consumption is displayed in. Refer to "Average fuel consumption" in this section.*

Average fuel consumption

If you selected average fuel consumption the last time you drove the vehicle, the display shows the last value of average fuel consumption from previous driving when the ignition switch is turned to the “ON” position or the engine switch is pressed to change the ignition mode to “ON”. Unless you reset the value of average fuel consumption, the display indicates the value of average fuel consumption which includes average fuel consumption during previous driving.

To reset the average fuel consumption to zero, push and hold the indicator selector knob (3) for a while when the display shows the average fuel consumption.

NOTE:

When you reset the indication or reconnect the negative (-) terminal to the battery, the value of average fuel consumption will be shown after driving for a while.

(For “L/100km” or “km/L” setting)

To change the unit of average fuel consumption, while pushing and holding the trip meter selector knob (2), turn the indicator selector knob (3).

EXAMPLE

68LM262

NOTE:

- When you change the units that average fuel consumption is displayed in, the instantaneous fuel consumption units will be changed automatically.
- When you reconnect the negative (-) terminal to the battery, the unit of the average fuel consumption will be reinitialized. Change the unit again to your preference.

BEFORE DRIVING

Driving range

If you selected driving range the last time you drove the vehicle, the display indicates “---” for a few seconds and then indicates the current driving range when the ignition switch is turned to the “ON” position or the engine switch is pressed to change the ignition mode to “ON”.

The driving range shown in the display is the approximate distance you can drive until the fuel gauge indicates “E”, based on current driving conditions.

When the low fuel warning light comes on, the display “---” will appear.

If the low fuel warning light comes on, fill the fuel tank immediately regardless of the value of driving range shown in the display.

As the driving range after refueling is calculated based on the most recent driving condition, the value is different each time you refuel.

NOTE:

- *If you refuel when the ignition switch is in the “ON” position or the ignition mode is “ON”, the driving range may not indicate the correct value.*
- *When you reconnect the negative (-) terminal to the battery, the value of driving range will be shown after driving for a while.*

Odometer

When the ignition switch is in the “ON” position or the ignition mode is “ON”, the display (D) shows the odometer. The odometer records the total distance the vehicle has been driven.

NOTICE

Keep track of your odometer reading and check the maintenance schedule regularly for required services. Increased wear or damage to certain parts can result from failure to perform required services at the proper mileage intervals.

Clock

When the ignition switch is in the “ON” position or the ignition mode is “ON”, the display (E) shows the time.

To change the time indication:



- 1) Push the trip meter selector knob (2) and the indicator selector knob (3) together.
- 2) To change the hour indication, turn the indicator selector knob (3) left or right repeatedly when the hour indication blinks. To change the hour indication quickly, turn and hold the indicator selector knob (3). To set the hour indication, push the indicator selector knob (3) and the minute indication will flash.
- 3) To change the minute indication, turn the indicator selector knob (3) left or right repeatedly when the minute indication blinks. To change the minute indication quickly, turn and hold the indicator selector knob (3). To set the minute indication, push the indicator selector knob (3).

Setting Mode

In the setting mode, you can set up the following functions.

Indication		Functions
 <i>door</i>	→ <i>d1</i>	Central door locking system “ <i>d1</i> ”
	↕ <i>d4</i>	Door locking and unlocking buzzer “ <i>d4</i> ”
↕ <i>LIGHT</i>	→ <i>L2</i>	Additional flashes of the turn signal “ <i>L2</i> ”
↕ <i>SECURITY</i>	→ <i>S1</i>	Security system “ <i>S1</i> ”
↕ <i>DEFAULT</i>	→ <i>dE-on</i>	Initialization setting “ <i>dE-on</i> ”
↕ <i>End</i>		Exit the setting mode “ <i>End</i> ”

BEFORE DRIVING

	Turn the indicator selector knob (3).
	Push the indicator selector knob (3).

NOTE:

Depending on vehicle's specifications, some items may not be displayed.

How to operate the setting mode:

- 1) When the ignition switch is in the "ON" position or press the engine switch to change the ignition mode to "ON" and the vehicle is stationary, push the trip meter selector knob (2) to switch the information display indication (C) to the trip meter.
- 2) Push and hold the indicator selector knob (3) until the display shows "door".
- 3) Turn and/or push the indicator selector knob (3) to select a function that you want to set up according to the above chart.
- 4) Turn and/or push the indicator selector knob (3) to register settings of the following functions.

Central door locking system "d1"

- *d1-5L1*: Unlock all doors by turning the key, pushing the keyless push start system remote controller or request switch once
- *d1-5L2*: Unlock all doors by turning the key, pushing the keyless push start system remote controller or request switch twice (default setting)

Door locking and unlocking buzzer "d4"

- *d4-5L1*: Buzzer sounds when the door(s) is(are) locked or unlocked by using the keyless push start system remote controller or request switch (default setting)
- *d4-5L2*: Buzzer does not sound when the door(s) is(are) locked or unlocked by using the keyless push start system remote controller or request switch

Additional flashes of the turn signal "L2"

- *L2-5L1*: Turn signal flashes three times after the turn signal lever is returned (default setting)
- *L2-5L2*: Disable the additional flashes of turn signal

Security system "S1"

- *S1-5L1*: Enable the security system (default setting)
- *S1-5L2*: Disable the security system

Initialization setting "dE-on"

- *dE-on*: Initialize all settings

EXAMPLE

84MSOT223

NOTE:

- As shown in the above illustration, “**AB**” indicates on the display of currently setting item.
 - To go back to the higher level display during operation, turn the indicator selector knob (3) to display “*bRCH*” or “*-bRC*” and then push the indicator selector knob (3).
- 5) To exit the setting mode, switch the display to show “*End*” and then push the indicator selector knob (3).

Warning and Indicator Lights

Brake System Warning Light



65D477

Three different types of operations exist depending on the vehicle's specification.

- 1) The light comes on briefly when the ignition switch is turned to the “ON” position or the engine switch is pressed to change the ignition mode to “ON”.
- 2) The light comes on when the parking brake is engaged with the ignition switch in the “ON” position or the ignition mode “ON”.
- 3) The light comes on when under either or both of above two conditions.

The light also comes on when the fluid in the brake fluid reservoir falls below the specified level.

The light should go out after starting the engine and fully releasing the parking brake, if the fluid level in the brake fluid reservoir is adequate.

The light also comes on together with the ABS warning light when the rear brake force control function (proportioning valve function) of the ABS system fails.

If the brake system warning light comes on while you are driving the vehicle, it may mean that there is something wrong with the vehicle's brake system. If this happens, you should:

- 1) Pull off the road and stop carefully.

⚠ WARNING

Remember that stopping distance may be longer, you may have to push harder on the pedal, and the pedal may go down farther than normal.

- 2) Test the brakes by carefully starting and stopping on the shoulder of the road.
- 3) If you determine that it is safe, drive cautiously at low speed to the nearest dealer for repairs,
or
- 4) Have the vehicle towed to the nearest dealer for repairs.

WARNING

If any of the following conditions occur, you should immediately ask your SUZUKI dealer to inspect the brake system.

- If the brake system warning light does not go out after the engine has been started and the parking brake has been fully released.
- If the brake system warning light does not come on when the ignition switch is turned to the “ON” position or the engine switch is pressed to change the ignition mode to “ON”.
- If the brake system warning light comes on at any time during vehicle operation.

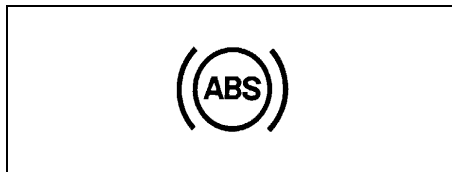
NOTE:

Because the brake system is self-adjusting, the fluid level will drop as the brake pads become worn. Replenishing the brake fluid reservoir is considered normal periodic maintenance.

NOTE:

*(Parking Brake Reminder Buzzer)
A buzzer sounds intermittently to remind you to release the parking brake if you start the vehicle without releasing the parking brake. Make sure that the parking brake is fully released and the brake system warning light turns off.*

Anti-Lock Brake System (ABS) Warning Light



65D529

When the ignition switch is turned to the “ON” position or the engine switch is pressed to change the ignition mode to “ON”, the light comes on briefly so you can check that the light is working.

If the light stays on, or comes on when driving, there may be something wrong with the ABS.

If this happens:

- 1) Pull off the road and stop carefully.
- 2) Turn the ignition switch to “LOCK” or change the ignition mode to “LOCK” (OFF) by pressing the engine switch and then start the engine again.

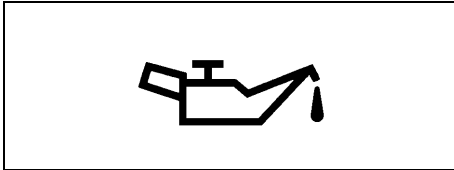
If the warning light comes on briefly then turns off, the system is normal. If the warning light still stays on, the system will be something wrong.

If the light and the brake system warning light stay on, or come on simultaneously when driving, your ABS system is equipped with the rear brake force control function (proportioning valve function) and there may be something wrong with both the rear brake force control function and anti-lock function of the ABS system.

If one of these happens, have the system inspected by your SUZUKI dealer.

If the ABS becomes inoperative, the brake system will function as an ordinary brake system that does not have this ABS system.

For details of ABS system, refer to “Anti-Lock Brake System (ABS)” in the “OPERATING YOUR VEHICLE” section.

Oil Pressure Light

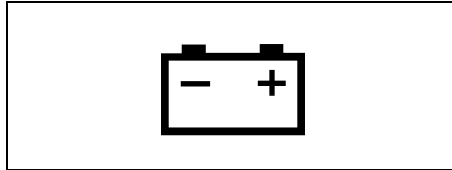
50G051

This light comes on when the ignition switch is turned to the “ON” position or the engine switch is pressed to change the ignition mode to “ON”, and goes out when the engine is started. The light will come on and remain on if there is insufficient oil pressure. If the light comes on when driving, pull off the road as soon as you can and stop the engine.

Check the oil level and add oil if necessary. If there is enough oil, the lubrication system should be inspected by your SUZUKI dealer before you drive the vehicle again.

NOTICE

- If you operate the engine with this light on, severe engine damage can result.
- Do not rely on the oil pressure light to indicate the need to add oil. Be sure to periodically check the engine oil level.

Charging Light

50G052

This light comes on when the ignition switch is turned to the “ON” position or the engine switch is pressed to change the ignition mode to “ON”, and goes out when the engine is started. The light will come on and remain on if there is something wrong with the battery charging system. If the light comes on when the engine is running, the charging system should be inspected immediately by your SUZUKI dealer.

Driver’s Seat Belt Reminder Light

60G049

When the driver doesn’t buckle his or her seat belt, this light will come on and/or blink.

For details about the seat belt reminder, refer to “Seat Belts and Child Restraint Systems” in this section.

“AIR BAG” Light



63J030

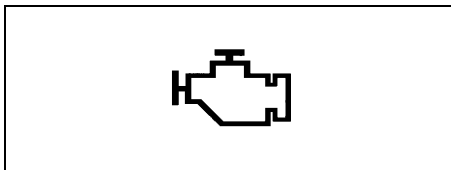
This light blinks or comes on for several seconds when the ignition switch is turned to the “ON” position or the engine switch is pressed to change the ignition mode to “ON” so you can check if the light is working.

The light will come on and stay on if there is a problem in the air bag system or the seat belt pretensioner system.

WARNING

If the “AIR BAG” light does not blink or come on briefly when the ignition switch is turned to the “ON” position or the engine switch is pressed to change the ignition mode to “ON”, stays on for more than 10 seconds, or comes on while driving, the air bag system or the seat belt pretensioner system may not work properly. Have both systems inspected by an authorized SUZUKI dealer.

Malfunction Indicator Light



65D530

Your vehicle has a computer-controlled emission control system. A malfunction indicator light is provided on the instrument panel to indicate when it is necessary to have the emission control system serviced. The malfunction indicator light comes on when the ignition switch is turned to the “ON” position or the engine switch is pressed to change the ignition mode to “ON” to let you know the light is working and goes out when the engine is started.

If the malfunction indicator light comes on or blinks when the engine is running, there is a damage in the emission control system. Bring the vehicle to your SUZUKI dealer to have the damage fixed.

NOTE:

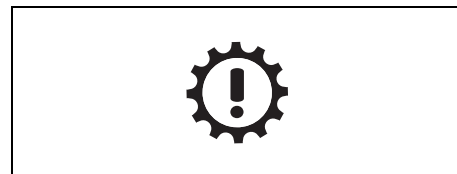
For a certain vehicle:

Also, if this light comes on when the engine is running, there is the problem with the automatic transaxle system. Ask your SUZUKI dealer to have the system inspected.

NOTICE

Continuing to drive the vehicle when the malfunction indicator light is on or blinking can cause permanent damage to the vehicle’s emission control system, and can affect fuel economy and driveability.

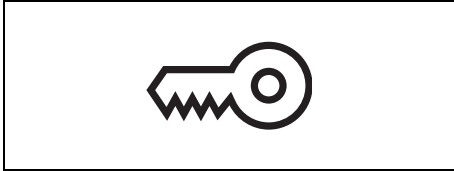
Transaxle Warning Light (if equipped)



80J219

This light comes on for several seconds when the ignition switch is turned to the “ON” position or the engine switch is pressed to change the ignition mode to “ON” so you can check the light is working. If this light comes on when the engine is running, there is a problem with the transaxle system. Ask your SUZUKI dealer to have the system inspected.

Immobilizer/Keyless Push Start System Warning Light

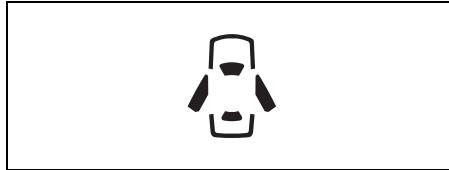


80JM122

When the ignition switch is turned to the "ON" position or the engine switch is pressed to change the ignition mode to "ON", the light comes on briefly so you can check that the light is working.

If this light stays on, there is a problem with the system or the steering lock cannot be released. If this happens, press the engine switch, turning the steering wheel to the right or left. If this light still stays on, ask your SUZUKI dealer to have the system inspected.

Open Door Warning Light



54G391

This light remains on until all doors are completely closed.

If any door is open when the vehicle is moving, a ding sounds to remind you to close all doors completely.

Low Fuel Warning Light



54G343

If this light comes on, fill the fuel tank immediately.

When this light comes on, a ding sounds once to remind you to fill the fuel. If you do not fill the fuel, a ding sounds every time when the ignition switch is turned to the "ON" position or the engine switch is pressed to change the ignition mode to "ON".

NOTE:

The activation point of this light varies depending on road conditions (for example, slope or curve) and driving conditions because of fuel moving in the tank.

BEFORE DRIVING

Electric Power Steering Light



79J039

This light comes on when the ignition switch is turned to the "ON" position or the engine switch is pressed to change the ignition mode to "ON", and goes out when the engine is started.

If this light comes on while driving, the power steering system may not work properly. Have the system inspected by your SUZUKI dealer.

NOTE:

Following operations of the steering wheel while parking or driving at a very low-speed may have steering effort bigger gradually. This is not a malfunction of the steering system, but the power steering control system limits the power assist in order to prevent them from overheating.

- *The steering wheel is operated very often.*
- *The steering wheel is kept in a fully turned position for a long while.*

When the power steering control system cool down, the power steering system back to the original condition.

However, repeating these operations could cause the power steering system damaged.

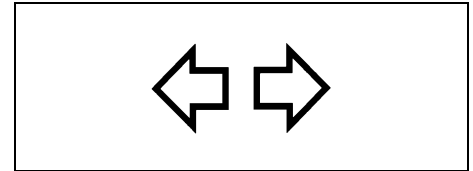
NOTE:

If the power steering system does not work properly, you will feel heavier to steer but you still will be able to steer.

NOTE:

If the steering is operated, you may hear noise. This is normal and indicates that the power steering system works properly.

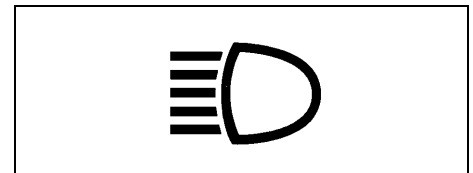
Turn Signal Indicators



50G056

When you turn on the left or right turn signals, the corresponding green arrow on the instrument panel will flash along with the respective turn signal lights. When you turn on the hazard warning switch, both arrows will flash along with all of the turn signal lights.

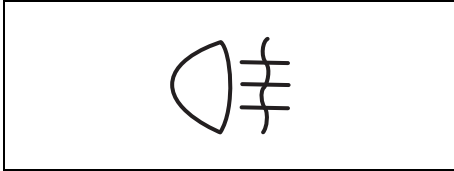
Main Beam (high beam) Indicator Light



50G056

This indicator comes on when headlight main beams (high beams) are turned on.

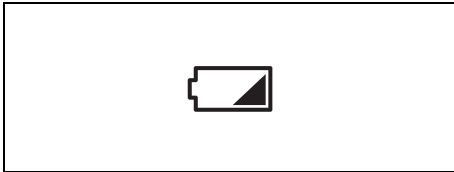
**Rear Fog Light Indicator Light
(if equipped)**



54G491

The rear fog light indicator light comes on when the rear fog light operates.

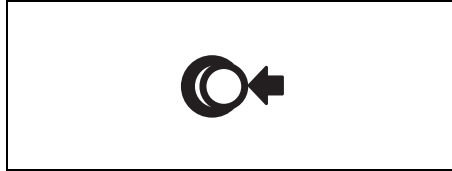
**Keyless Push Start System Remote
Controller Battery Consumption
Warning Light (if equipped)**



70K122

If the remote controller becomes unreliable, this light comes on for several seconds when the engine switch is pressed to change the ignition mode to "ON".

**"PUSH" Indicator Light
(if equipped)**



82K174

If this light comes on when depressing the brake pedal for automatic transaxle vehicles, or the clutch pedal for manual transaxle vehicles, you can start the engine.

"ACC" Indicator Light (if equipped)



82K097

This light comes on when the ignition mode is "ACC".

**Ignition "ON" Indicator Light
(if equipped)**



82K098

This light comes on when the ignition mode is "ON" with the engine off.

BEFORE DRIVING

“CRUISE” Indicator Light (if equipped)

CRUISE

52D113

When the cruise control system is on, this light will be on.

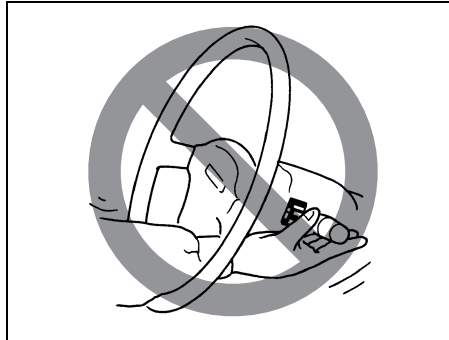
“SET” Indicator Light (if equipped)

SET

65D474

When the vehicle’s speed is controlled by the cruise control system, this light will be on.

Lighting Control Lever



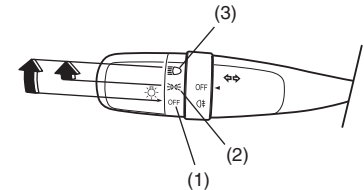
65D611

▲ WARNING

To avoid possible injury, do not operate controls by reaching through the steering wheel.

Lighting Operation

EXAMPLE



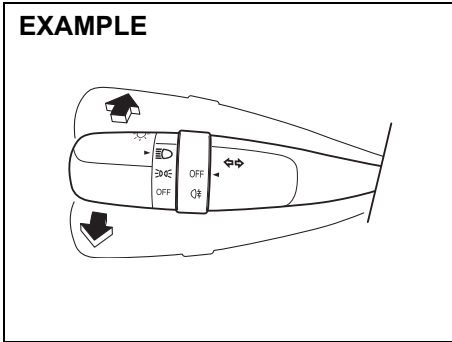
68LM228

To turn the lights on or off, twist the knob on the end of the lever. There are three positions:

OFF (1)
All lights are off.

☰ (2)
Front position lights, tail lights, license plate light and instrument lights are on, but headlights are off.

☰ (3)
Front position lights, tail lights, license plate light, instrument lights and headlights are on.

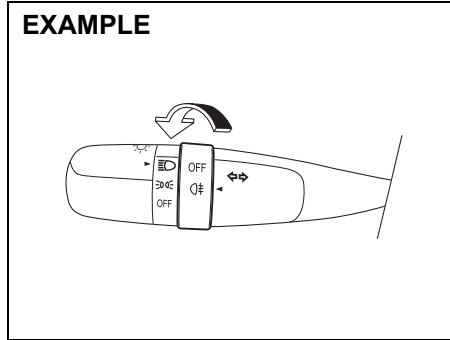
EXAMPLE

68LM229

With the headlights on, push the lever forward to switch to the high beams (main beams) or pull the lever toward you to switch to the low beams. When the high beams (main beams) are on, a light on the instrument panel will come on. To momentarily activate the high beams (main beams) as a passing signal, pull the lever slightly toward you and release it when you have completed the signal.

Lights “On” reminder

A buzzer/chime sounds to remind you to turn off the lights if they are left on when the ignition key is removed and the driver’s door is opened.

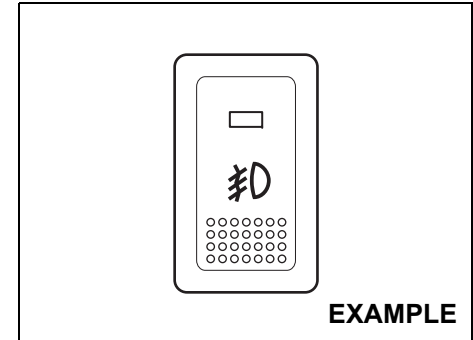
Rear Fog Light Switch (if equipped)**EXAMPLE**

79PS1A207

To turn the rear fog light on, twist the knob as shown in the illustration with the headlights are on. When the rear fog light is on, an indicator light on the instrument cluster will come on.

NOTE:

When the knob on the end of the lightning control lever is returned to the “OFF” position, the rear fog light switch will be canceled automatically.

Front Fog Light Switch (if equipped)**EXAMPLE**

64J058

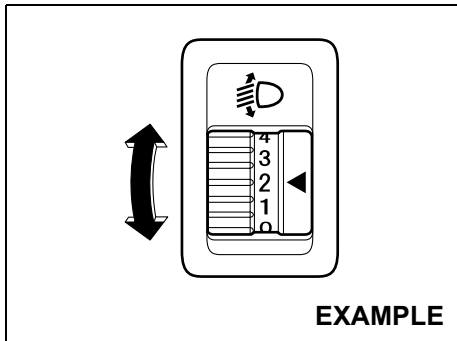
The front fog light comes on when the fog light switch is pushed in with the position lights, tail lights and/or the headlights are on. An indicator light above the switch will be lit when the front fog light is on.

NOTE:

In some countries the lighting operation may be different from the above description according to local regulations.

BEFORE DRIVING

Headlight Leveling Switch (if equipped)



Level the headlight beam according to the load condition of your vehicle by turning this switch. The chart below shows the appropriate switch position for different vehicle-load conditions.

Vehicle Load Condition	Switch Position
Driver only	0
Driver + 1 passenger (in front seat)	0
Driver + 4 passengers, no cargo	2
Driver + 4 passengers, cargo added	3
Driver + full cargo	4

Turn Signal Control Lever



65D611

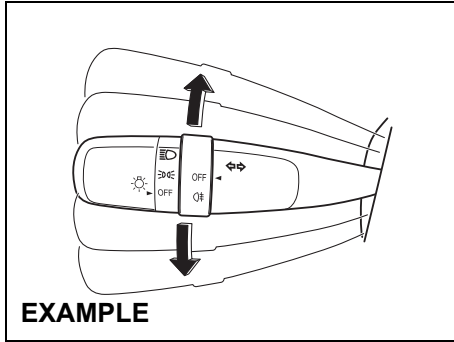
WARNING

To avoid possible injury, do not operate controls by reaching through the steering wheel.

Turn Signal Operation

With the ignition switch in the “ON” position or the ignition mode “ON”, move the lever up or down to activate the right or left turn signals.

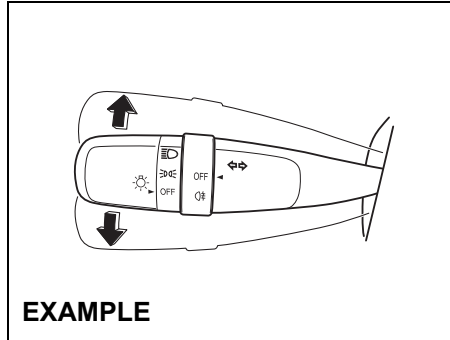
Normal turn signal



71LMT0211

Move the lever all the way upward or downward to signal. When the turn is completed, the signal will cancel and the lever will return to its normal position.

Lane change signal



71LMT0212

Sometimes, such as when changing lanes, the steering wheel is not turned far enough to cancel the turn signal. For convenience, you can flash the turn signal by moving the lever part way and holding it there. The lever will return to its normal position when you release it.

NOTE:

The turn signal and its indicator flash three times even if you return the lever immediately after moving it.

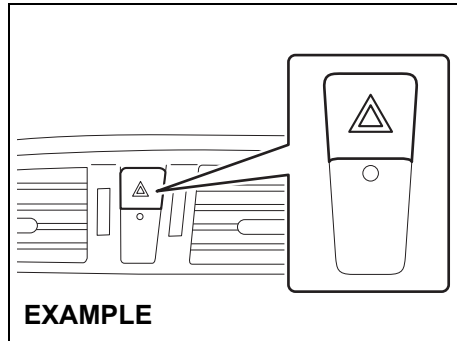
NOTE:

The turn signal and its indicator can be set whether they flash three times after the turn signal lever is returned via the information display. Refer to “Information Display” in this section.

NOTE:

You can customize the setting for the number of times of flashing of the turn signal and its indicator. Please ask an authorized SUZUKI dealer for the customization.

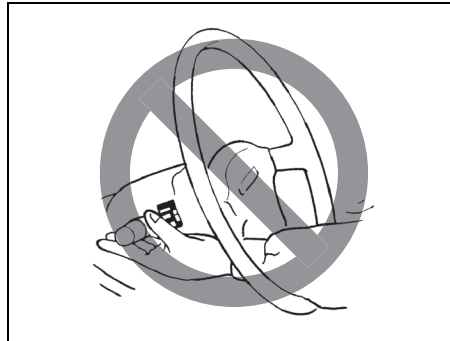
Hazard Warning Switch



79MH0231

Push in the hazard warning switch to activate the hazard warning lights. All turn signal lights and both turn signal indicators will flash simultaneously. To turn off the lights, push the switch again. Use the hazard warning lights to warn other traffic during emergency parking or when your vehicle could otherwise become a traffic hazard.

Windshield Wiper and Washer Lever



57L21128

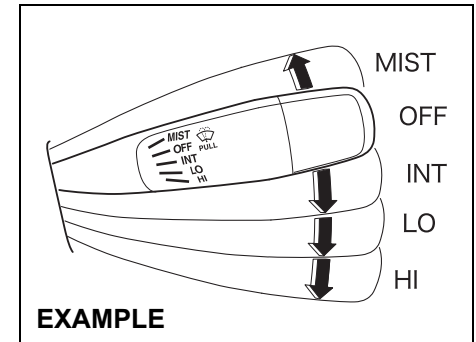
⚠ WARNING

To avoid possible injury, do not operate controls by reaching through the steering wheel.

Wiper and Washer Operation

When the ignition switch is in the "ON" position or the ignition mode is "ON", you can use the wiper/washer lever.

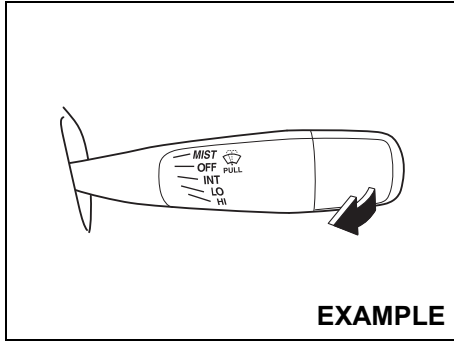
Windshield Wipers



79MS00223

To turn the windshield wipers on, move the lever down to one of the three operating positions. In the "INT" position, the wipers operate intermittently. The "INT" position is very convenient for driving in mist or light rain. In the "LO" position, the wipers operate at a steady low speed. In the "HI" position, the wipers operate at a steady high speed. To turn off the wipers, move the lever back to the "OFF" position. Move the lever up and hold it to the "MIST" position, the windshield wipers will turn on continuously at low speed.

Windshield Washer



79MS00224

To spray windshield washer fluid, pull the lever toward you. The windshield wipers will automatically turn on at low speed if they are not already on and the "INT" position is equipped.

WARNING

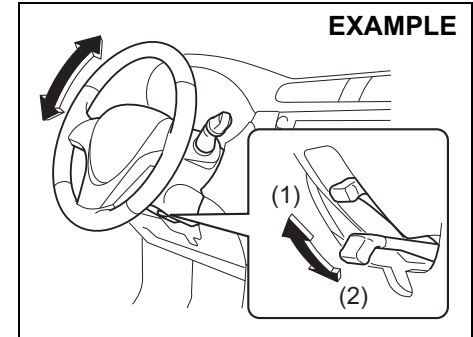
- To prevent windshield icing in cold weather, turn on the defroster to heat the windshield before and during windshield washer use.
- Do not use radiator antifreeze in the windshield washer reservoir. It can severely impair visibility when sprayed on the windshield, and can also damage your vehicle's paint.

NOTICE

To help prevent damage to the windshield wiper and washer system components, you should take the following precautions:

- Do not continue to hold in the lever when there is no windshield washer fluid being sprayed or the washer motor can be damaged.
- Do not attempt to remove dirt from a dry windshield with the wipers or you can damage the windshield and the wiper blades. Always wet the windshield with washer fluid before operating the wipers.
- Clear ice or packed snow from the wiper blades before using the wipers.
- Check the washer fluid level regularly. Check it often when the weather is bad.
- Only fill the washer fluid reservoir 3/4 full during cold weather to allow room for expansion if the temperature falls low enough to freeze the solution.

Tilt Steering Lock Lever



79PS1A208

- (1) LOCK
(2) UNLOCK

The lock lever is located under the steering column. To adjust the steering wheel height:

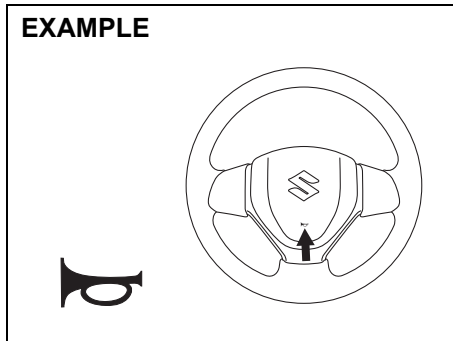
- 1) Push down the lock lever to unlock the steering column.
- 2) Adjust the steering wheel to the desired height and lock the steering column by pull up the lock lever.
- 3) Try moving the steering wheel up and down to make sure it is securely locked in position.

WARNING

Never attempt to adjust the steering wheel height while the vehicle is moving or you could lose control of the vehicle.

Horn

EXAMPLE

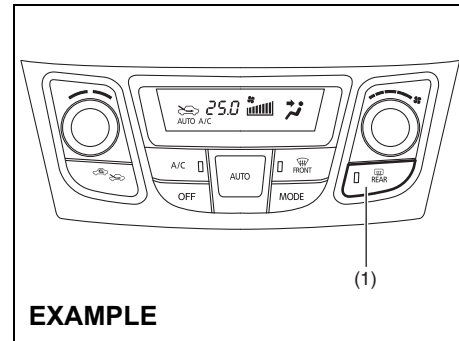


68LM240

Press the horn button of the steering wheel to sound the horn. The horn will sound with the ignition switch in any position or any ignition mode.

Heated Rear Window Switch

EXAMPLE



79MH0232

When the rear window is misted, push this switch (1) to clear the window.

An indicator light will be lit when the defogger is on. The defogger will work only when the engine is running. To turn off the defogger, push the switch again.

NOTICE

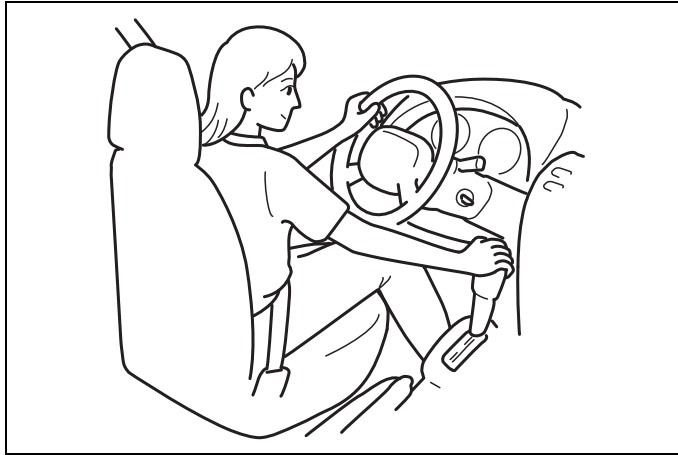
The heated rear window uses a large amount of electricity. Be sure to turn off after the window has become clear.

NOTE:

- *The defogger will work only when the engine is running.*
- *The defogger will automatically turn off after the defogger remains on for 15 minutes to prevent discharging of the battery.*

MEMO

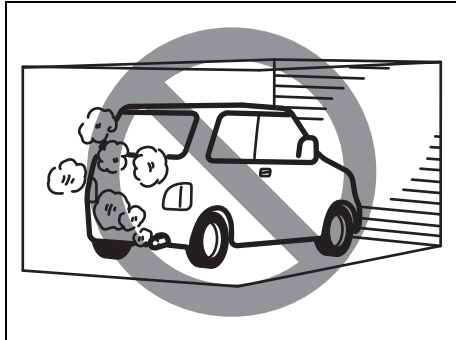
OPERATING YOUR VEHICLE



60G408

Exhaust Gas Warning	3-1
Daily Inspection Checklist	3-1
Engine Oil Consumption	3-2
Engine Switch (Vehicle with Keyless Push Start System)	3-3
Keyless Push Start System (if equipped)	3-4
Parking Brake Lever	3-8
Pedal	3-9
Starting the Engine (Vehicle with Keyless Push Start System)	3-10
Using the Transaxle	3-14
Parking Sensors (if equipped)	3-16
Rearview Camera (if equipped)	3-22
Braking	3-25

Exhaust Gas Warning



52D334

▲ WARNING

Avoid breathing exhaust gases. Exhaust gases contain carbon monoxide, a potentially lethal gas that is colorless and odorless. Since carbon monoxide is difficult to detect by itself, be sure to take the following precautions to help prevent carbon monoxide from entering your vehicle.

- Do not leave the engine running in garages or other confined areas.

(Continued)

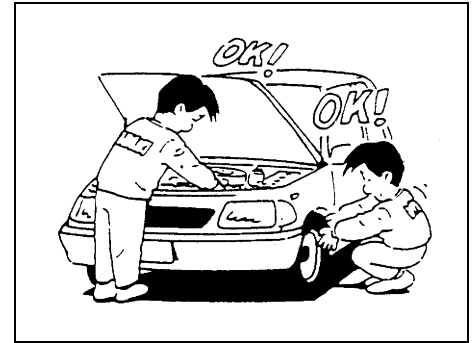
▲ WARNING

(Continued)

- Do not park with the engine running for a long period of time, even in an open area. If it is necessary to sit for a short time in a parked vehicle with the engine running, make sure the air intake selector is set to "FRESH AIR" and the blower is at high speed.
- Avoid operating the vehicle with the tailgate or trunk open. If it is necessary to operate the vehicle with the tailgate or trunk open, make sure the sunroof (if equipped) and all windows are closed, and the blower is at high speed with the air intake selector set to "FRESH AIR".
- To allow proper operation of your vehicle's ventilation system, keep the air inlet grille in front of the windshield clear of snow, leaves or other obstructions at all times.
- Keep the exhaust tailpipe area clear of snow and other material to help reduce the buildup of exhaust gases under the vehicle. This is particularly important when parked in blizzard conditions.
- Have the exhaust system inspected periodically for damage and leaks. Any damage or leaks should be repaired immediately.

Daily Inspection Checklist

Before Driving



60A187S

- 1) Make sure that windows, mirrors, lights and reflectors are clean and unobstructed.
- 2) Visually check the tires for the following points:
 - the depth of the tread groove
 - abnormal wear, cracks and damage
 - loose wheel nuts
 - existence of foreign material such as nails, stones, etc.Refer to "Tires" in "INSPECTION AND MAINTENANCE" section for details.
- 3) Look for fluid and oil leaks.

NOTE:

It is normal for water to drip from the air conditioning system after use.

- 4) Make sure the hood is fully closed and latched.
- 5) Check the headlights, turn signal lights, brake lights and horn for proper operation.
- 6) Adjust the seat and head restraint.
- 7) Check the brake pedal and the parking brake lever.
- 8) Adjust the mirrors.
- 9) Make sure that you and all passengers have properly fastened your seat belts.
- 10) Make sure that all warning lights come on as the ignition switch is turned to the "ON" position or the engine switch is pressed to change the ignition mode to "ON".
- 11) Check all gauges.
- 12) Make sure that the BRAKE SYSTEM WARNING light turns off when the parking brake is released.

Once a week, or each time you fill your fuel tank, perform the following under-hood checks:

- 1) Engine oil level
- 2) Coolant level
- 3) Brake fluid level
- 4) Battery solution level
- 5) Windshield washer fluid level
- 6) Hood latch operation
Pull the hood release handle inside the

vehicle. Make sure that you cannot open the hood all the way without releasing the secondary latch. Be sure to close the hood securely after checking for proper latch operation. See the item "All latches, hinges and locks" of "CHASSIS AND BODY" in the "Periodic Maintenance Schedule" in the "INSPECTION AND MAINTENANCE" section for lubrication schedule.

⚠ WARNING

Make sure the hood is fully closed and latched before driving. If it is not, it can fly up unexpectedly during driving, obstructing your view and resulting in an accident.

Once a month, or each time you fill your fuel tank, check the tire pressure using a tire pressure gauge. Also check the tire pressure of the spare tire.

Engine Oil Consumption

It is normal for the engine to consume some engine oil during normal vehicle operation.

The amount of engine oil consumed depends on the viscosity of the oil, the quality of the oil and the conditions the vehicle is driven under.

More oil is consumed during high-speed driving and when there is frequent acceleration and deceleration. Under high loads, your engine also will consume more oil.

A new engine also consumes more oil, since its pistons, piston rings and cylinder walls have not yet become conditioned. New engines reach the normal level of oil consumption only after approximately 5000 km (3000 miles) driving.

**Oil consumption:
Max. 1.0 L per 1000 km
(1 Qt. per 600 miles)**

When judging the amount of oil consumption, note that the oil may become diluted and make it difficult to accurately judge the true oil level.

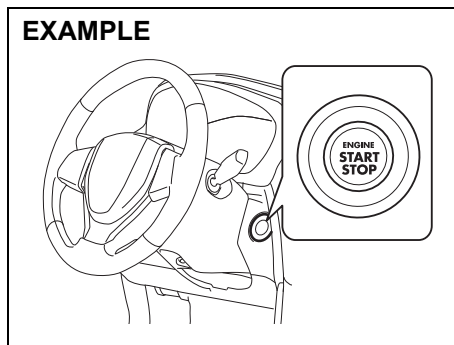
As an example, if a vehicle is used for repeated short trips, and consumes a normal amount of oil, the dipstick may not show any drop in the oil level at all, even after 1000 km (600 miles) or more of driving. This is because the oil is gradually becoming diluted with fuel or moisture,

OPERATING YOUR VEHICLE

making it appear that the oil level has not changed.

You should also be aware that the diluting ingredients evaporate out when the vehicle is subsequently driven at high speeds, such as on an expressway, making it appear that oil is excessively consumed after high-speed driving.

Engine Switch (Vehicle with Keyless Push Start System)



LOCK (OFF)

This mode is for parking the vehicle. When this mode is selected by pressing the engine switch and then any door is opened or closed, the steering will be locked automatically.

ACC

Press the engine switch to select this ignition mode to use such electric equipment as the audio system, outside rearview mirrors and accessory socket with the engine off. When this position is selected, the information display in the instrument cluster come on. Refer to “Warning and Indica-

tor Lights” in the “BEFORE DRIVING” section for details.

ON

- **With the engine off**

You can use such electric equipment as the power windows and wipers with the engine off. When this ignition mode is selected by pressing the engine switch, the information display in the instrument cluster will come on.

- **With the engine on**

All electric equipment is operational. The vehicle can be driven when you have selected this ignition mode by pressing the engine switch.

START

Automatic transaxle – Provided you have the keyless push start system remote controller with you, the engine automatically starts when you press the engine switch to select this ignition mode after placing the gearshift lever in the “P” position and depressing the brake pedal. (If you need to re-start the engine while the vehicle is moving, shift into “N”.)

Manual transaxle – Provided you have the keyless push start system remote controller with you, the engine automatically starts when you press the engine switch to select this ignition mode after shifting to “N” (Neutral) and depressing the brake and clutch pedals.

NOTE:

You do not need to keep the engine switch pressed to start the engine.

NOTICE

Do not leave the engine switch in the “ACC” or “ON” mode when the engine is not running. Avoid using the radio or other electric accessories for a long time when the engine switch is in the “ACC” or “ON” mode when the engine is not running, otherwise the battery may discharge.

NOTE:

- *The steering lock may not be released and the immobilizer/keyless push start system warning light turns on if some load is acting on the steering wheel. If this happens, turn the steering wheel to the right or left to relieve it from the load before you press the engine switch again to change to the desired ignition mode.*
- *In the presence of strong radio signals or noise, you may not be able to change the ignition mode to “ACC” or “ON” or to start the engine using the engine switch.*

Keyless Push Start System (if equipped)

Provided the keyless push start system remote controller is within the “interior workable area” (refer to the related explanation in this section), you can use the engine switch for starting the engine and selecting an ignition mode (“ACC” or “ON”). In addition, the following functions can be used:

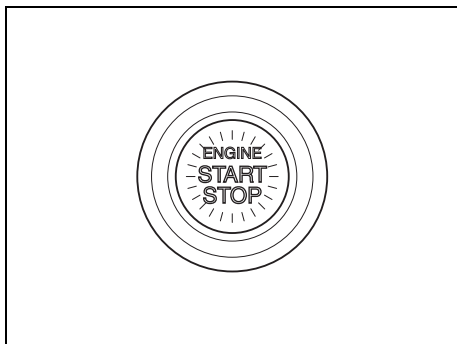
- Keyless entry function. Refer to “Keyless Push Start System Remote Controller” in the “BEFORE DRIVING” section for details.
- Locking and unlocking doors using a request switch. Refer to “Keyless Push Start System Remote Controller” in the “BEFORE DRIVING” section for details.
- Immobilizer (anti-theft) function. Refer to “Immobilizer System” in the “BEFORE DRIVING” section for details.

Engine Switch Illumination

The engine switch is illuminated (lit) in the following situations:

- When the engine is off and the driver’s door is open, or for 15 seconds after the driver’s door is closed. The illumination will fade out after the 15 seconds past.
- When the engine is off and the position lights are on. The illumination will go out when the position lights are turned off.
- When the engine is on and the position lights and/or the headlights are on. The illumination will go out when the position lights and/or the headlights are turned off.

OPERATING YOUR VEHICLE



82K253

NOTE:

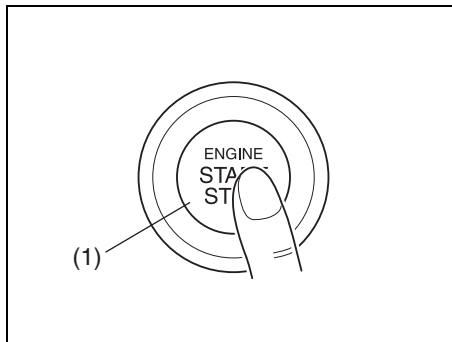
To save the battery, the illumination will be automatically turned off when both of the following conditions are simultaneously met:

- The headlights and position lights are turned off.
- A period of 15 minutes has elapsed after opening the driver's door.

Selection of Ignition Modes

Press the engine switch to select the "ACC" or "ON" mode as follows when you use an electric accessory or check the operation of instruments without running the engine.

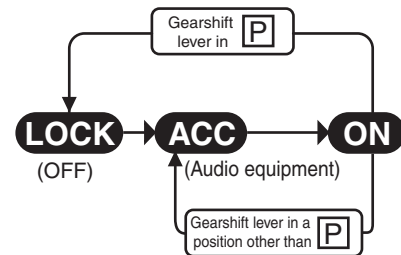
- 1) Bring the keyless push start system remote controller with you and sit in the driver's seat.
- 2) Manual transaxle – Without depressing the clutch pedal, press the engine switch (1).
Automatic transaxle – Without depressing the brake pedal, press the engine switch (1).



82K254

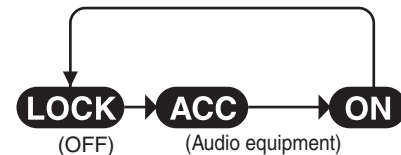
Every time you press the engine switch, the ignition mode changes as follows.

Automatic transaxle



57L31006

Manual transaxle



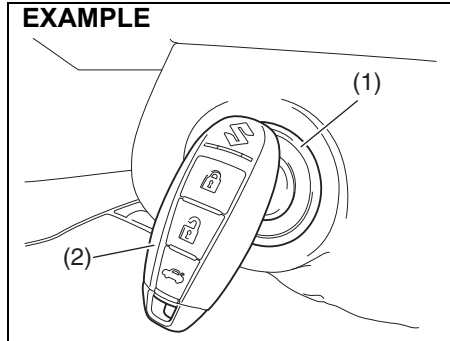
68PH00322

NOTE:

Automatic transaxle – If the gearshift lever is in any position other than “P”, or if the knob button is pushed when the gearshift lever is in “P” position the ignition mode cannot be returned to “LOCK” (OFF).

If the “PUSH” indicator light blinks and the ignition modes cannot be selected

Your keyless push start system remote controller may not be sensed as being within the “interior workable area” (refer to the related explanation in this section). Try again after making sure you have the remote controller with you. If the ignition modes still cannot be selected, the battery of the remote controller may be discharged. To be able to select an ignition mode, you must then use the following method:



57L21131

- 1) Without depressing the brake pedal and the clutch pedal, push the engine switch (1).
- 2) Within about 10 seconds during which the “PUSH” indicator light in the instrument cluster is blinking, touch the engine switch with the lock switch end of the remote controller (2) for about 2 seconds.

NOTE:

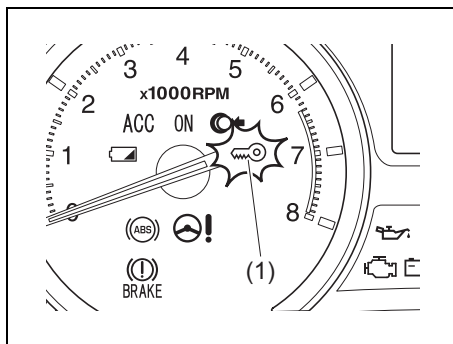
- *If you still cannot select the ignition modes, there may be some problem with the keyless push start system. Contact an authorized SUZUKI dealer for an inspection of the system.*
- *The immobilizer/keyless push start system warning light come on for about 5 seconds while the “PUSH” indicator light is blinking. Refer to “Warning and Indicator Lights” in the “BEFORE DRIVING” section for details.*
- *You may customize the system to cause the interior buzzer to sound once for the “remote controller out of sensing range” warning. To incorporate this customization, please contact an authorized SUZUKI dealer.*
- *If the battery of the remote controller is about to become completely discharged, the keyless push start system remote controller battery consumption warning light in the instrument cluster will come on for a few seconds when you press the engine switch to change the ignition mode to “ON”. Refer to “Warning and Indicator Lights” in the “BEFORE DRIVING” section for details. For details on replacing the battery, refer to the “Keyless Push Start System Remote Controller” in the “BEFORE DRIVING” section.*

OPERATING YOUR VEHICLE

“Remote Controller Outside” Warning

When the conditions described below are met, the system gives a “remote controller outside” warning by sounding the interior and exterior buzzers and blinking the immobilizer/keyless push start system warning light.

- Any door is opened and then closed while the remote controller is not inside the vehicle and the engine is running or the ignition mode has been changed to “ACC” or “ON” by pressing the engine switch.
- The remote controller is not inside the vehicle when you attempt to start the engine after changing the ignition mode to “ACC” or “ON” by pressing the engine switch.



79MS0T301

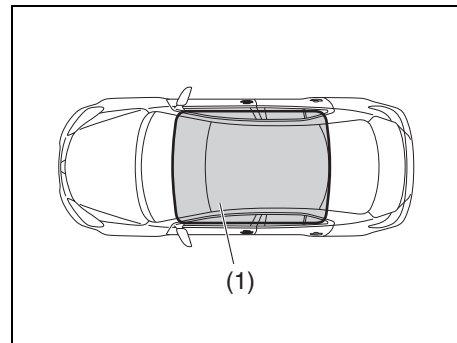
- (1) Immobilizer/keyless push start system warning light (blinks)

NOTE:

- If the warning is given, locate the remote controller as soon as possible.
- Any attempt to start the engine will fail while the warning is active. Blinking of the immobilizer/keyless push start system warning light in the instrument cluster will indicate this condition. Refer to “Warning and Indicator Lights” in the “BEFORE DRIVING” section for details.
- Blinking of the immobilizer/keyless push start system warning light should stop shortly after the remote controller is brought back inside the vehicle. If they do not stop blinking, change the ignition mode to “LOCK” (OFF) by pressing the engine switch and then perform the engine starting operation.

- Always keep the remote controller with you as the driver.

Interior Workable Area for Engine Starting, Ignition Mode Selection and “Remote Controller Outside” Warning



57L31004

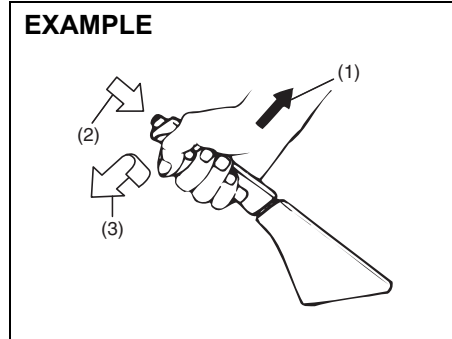
- (1) Interior workable area

The “interior workable area” for these functions is defined as all the interior spaces except for the space above the instrument panel.

NOTE:

- Even when the remote controller is in the “interior workable area”, if it is in any of the following conditions, you may not be able to start the engine or select the ignition modes, and the “remote controller outside” warning may be given.
 - The remote controller’s battery is low.
 - The remote controller is affected by strong radio signals or noise.
 - The remote controller is in contact with or covered by a metallic object.
 - The remote controller is in stowage like the glove box or a door pocket.
 - The remote controller is in the sun visor pocket or on the floor.
- Even when the remote controller is outside the “interior workable area”, if it is in any of the following conditions, you may be able to start the engine or select the ignition mode. The “remote controller outside” warning may not be given at that time.
 - The remote controller is outside the vehicle but very close to a door.
 - The remote controller is on the instrument panel.

Parking Brake Lever



54G039

- (1) To set
- (2) To release
- (3) To release

The parking brake lever is located between the seats. To set the parking brake, hold the brake pedal down and pull the parking brake lever all the way up. To release the parking brake, hold the brake pedal down, pull up slightly on the parking brake lever, push the button on the end of the lever with your thumb, and lower the lever to its original position.

For automatic transaxle vehicles, always set the parking brake before moving the gearshift lever to the “P” (PARK) position. If you park on an incline and shift into “P” before setting the parking brake, the weight of the vehicle may make it difficult to shift out of “P” when you are ready to drive the vehicle.

When preparing to drive the vehicle, move the gearshift lever out of the “P” position before releasing the parking brake.

⚠ WARNING

- **Never drive your vehicle with the parking brake on: rear brake effectiveness can be reduced from overheating, brake life may be shortened, or permanent brake damage may result.**
- **If the parking brake does not hold the vehicle securely or does not fully release, have your vehicle inspected immediately by an authorized SUZUKI dealer.**

WARNING

Always set the parking brake fully before leaving your vehicle or it may move, causing injury or damage. When parking, make sure the gearshift lever for manual transaxle vehicles is in reverse or first gear and the gearshift lever for automatic transaxle vehicles is in "P" (Park). Remember, even though the transaxle is in gear or in Park, you must set the parking brake fully.

WARNING

When parking the vehicle in extremely cold weather, the following procedure should be used:

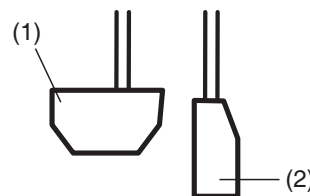
- 1) Set the parking brake.
- 2) Manual transaxle - turn off the engine, then shift into reverse or first gear.
Automatic transaxle - shift into "P" (Park) and turn off the engine.
- 3) Get out of the vehicle and put chocks under the wheels.
- 4) Release the parking brake.
When you return to your vehicle, you must remember to first set the parking brake, then remove the wheel chocks.

Parking Brake Reminder Buzzer

A buzzer sounds intermittently to remind you to release the parking brake if you start the vehicle without releasing the parking brake. Make sure that the parking brake is fully released and the brake system warning light turns off.

Pedal

EXAMPLE



80J2122

Brake Pedal (1)

Your SUZUKI vehicle is equipped with front and rear disc brakes. Depressing the brake pedal applies both sets of brakes.

You may hear occasional brake squeal when you apply the brakes. This is a normal condition caused by environmental factors such as cold, wet, snow, etc.

WARNING

If brake squeal is excessive and occurs each time the brakes are applied, you should have the brakes checked by your SUZUKI dealer.

▲ WARNING

Do not “ride” the brakes by applying them continuously or resting your foot on the pedal. This will result in overheating of the brakes which could cause unpredictable braking action, longer stopping distances, or permanent brake damage.

Accelerator Pedal (2)

This pedal controls the speed of the engine. Depressing the accelerator pedal increases power output and speed.

Starting a Cold and Warm Engine

With your foot off the accelerator pedal, crank the engine by turning the ignition key to “START”. Release the key when the engine starts.

NOTICE

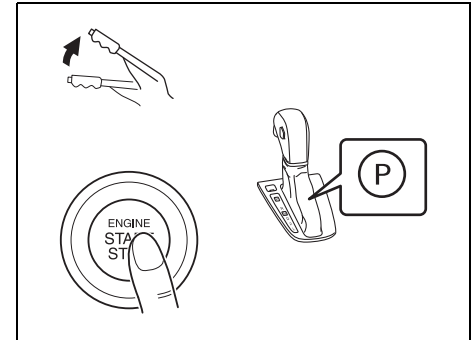
- Stop turning the starter immediately after the engine has started or the starter system can be damaged.
- Do not crank the engine for more than 12 seconds at a time. If the engine doesn’t start on the first try, wait about 15 seconds before trying again.

If the engine does not start after 12 seconds of cranking, wait about 15 seconds, then press down the accelerator pedal to 1/3 of its travel and try cranking the engine again. Release the key and accelerator pedal when the engine starts.

If the engine still does not start, try holding the accelerator pedal all the way to the floor while cranking. This should clear the engine if it is flooded.

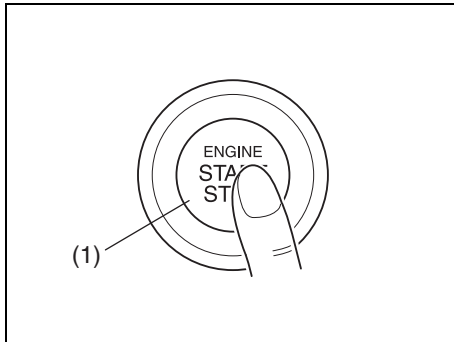
**Starting the Engine
(Vehicle with Keyless Push Start System)**

Before Starting the Engine



79PS1A302

- 1) Make sure the parking brake is set fully.
- 2) Manual transaxle – Shift to “N” (Neutral) and fully depress the clutch pedal. Hold the clutch and brake pedals fully depressed.
Automatic transaxle – If the gearshift lever is not in the “P” (Park) position, shift it to “P”. Hold the brake pedal fully depressed.



- 3) The “PUSH” indicator light in the instrument cluster will come on. Push the engine switch (1). When the engine is started, the starter motor will automatically stop.

⚠ WARNING

Make sure that the parking brake is set fully and the transaxle is in Neutral (or Park for vehicles with an automatic transaxle) before attempting to start the engine.

NOTICE

- **Do not depress the accelerator during the engine starting procedure.**
- **If the engine does not respond when you try to start it with the engine switch or if the engine switch repeats cycling through the “LOCK”(OFF) - “ACC” - “ON” mode, the vehicle battery may be discharged. Check the voltage of the vehicle battery before trying again.**

NOTE:

- *You do not need to keep the engine switch pressed to start the engine.*
- *The engine of a manual transaxle vehicle will not start unless the clutch pedal is depressed.*
- *Automatic transaxle vehicles have a starter interlock device which is designed to keep the starter from operating if the transaxle is in any of the drive positions.*
- *You should turn off such loads as the headlights and air conditioning system to facilitate starting of the engine.*
- *Even if you fail to start the engine, the starter motor will stop turning automatically after a short time. After the starter motor has stopped or if there is some problem with the system, the starter motor will rotate only while the engine switch is being pressed.*

Stopping the engine

- Depress the engine switch to stop the engine after the vehicle stopped completely.
- In case of emergency, you can stop the engine by quickly pushing the engine switch more than 3 times, or pushing and holding the engine switch more than 2 seconds while the vehicle in motion.

NOTE:

Except in emergency, do not stop the engine while the vehicle in motion.

The steering and braking operation will require more efforts when the engine stopped.

Refer to “Braking” in this section.

NOTICE

**If you stop the engine while the vehicle is in motion, the automatic transaxle may be damaged.
Avoid stopping the engine while driving.**

- If the engine has been stopped and stayed as it as for while after the engine was stopped unexpectedly or was raced before stopped, a clicking sound may be heard from around the engine when engine restarted. This is not a malfunction. In this case, always let the engine idle before stop it.

Starting a Cold and Warm Engine

With your foot off the accelerator pedal, crank the engine by pressing the engine switch to change the ignition mode to “START”.

NOTICE

Do not crank the engine for more than 12 seconds at a time. If the engine doesn't start on the first try, wait about 15 seconds before trying again.

After pressing the engine switch to change the ignition mode to “START”, the starter cranks the engine for about 12 seconds before it can start the engine. If the engine fails to start at the first attempt, wait about 15 seconds, then try again while keeping the engine switch pressed while pressing down the accelerator pedal to 1/3 of its travel. Release the accelerator pedal when the engine starts.

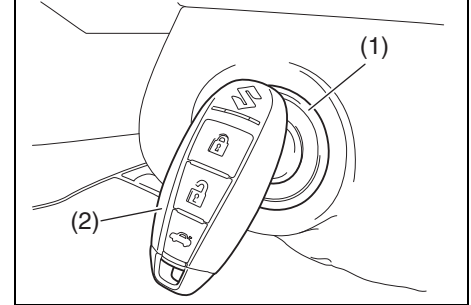
If the engine still does not start, try holding the accelerator pedal all the way to the floor while cranking. This should clear the engine if it is flooded.

If you are unable to start the engine using this procedure, consult your SUZUKI dealer.

If the “PUSH” indicator light blinks and the engine cannot be started

Your keyless push start system remote controller may not be sensed as being within the “interior workable area”. Try again after making sure that you have the remote controller with you. If the engine still cannot be started, the battery of the remote controller may be discharged. You must then use the following method to be able to start the engine.

EXAMPLE



57L21131

- 1) Make sure the parking brake is set fully.
- 2) Manual Transaxle – Shift to “N” (Neutral) and fully depress the clutch pedal. Hold the clutch and brake pedals fully depressed.
Automatic transaxle – If the gearshift lever is not in the “P” (Park) position, shift it to “P”. Hold the brake pedal fully depressed.
- 3) The “PUSH” indicator light in the instrument cluster will come on. Press the engine switch (1).
- 4) Within about 10 seconds of blinking of the “PUSH” indicator light in the instrument cluster, touch the engine switch with the lock switch end of the remote controller (2) for about 2 seconds.

NOTE:

- *If you still cannot start the engine after several attempts using the above method, there may be a problem elsewhere, such as a low battery. Contact your SUZUKI dealer for inspection.*
- *The immobilizer/keyless push start system warning light come on for about 5 seconds while the "PUSH" indicator light is blinking.*
- *You may customize the system to cause the interior buzzer to sound once for the "remote controller out of sensing range" warning. Please contact an authorized SUZUKI dealer for the customization.*
- *If the battery of the remote controller is about to be completely discharged, the keyless push start system remote controller battery consumption warning light in the instrument cluster will come on for a few seconds when the ignition mode is changed to "ON" by pressing the engine switch. For details on replacing the battery, refer to the "Keyless Push Start System Remote Controller" in the "BEFORE DRIVING" section.*

Returning the ignition mode to "LOCK" (OFF)

Automatic transaxle – To ensure safety, the ignition mode can be returned to "LOCK" (OFF) by pressing the engine switch only when the gearshift lever is placed in the "P" position without pressing the knob button.

NOTE:

In the case of an automatic transaxle model, the engine cannot be returned to the "LOCK" (OFF) position if the gearshift lever is in any other position than "P".

Certain problems like a fault in engine system may prevent the engine switch from going back to the "LOCK" (OFF) mode. If this happens, have the vehicle inspected by an authorized SUZUKI dealer after doing the following:

- *Lock the doors using the key to prevent theft. (The request switches and the keyless push start system remote controller cannot be used to lock them.)*
- *Disconnect the negative cable from the battery to prevent discharge.*

"LOCK" (OFF) mode reminder buzzer

If the driver's door is opened without returning the ignition mode to "LOCK" (OFF) by pressing the engine switch, a buzzer sounds to warn you of this state.

- *If you open the driver's door after pressing the engine switch to change the ignition mode to "ACC", the interior buzzer beeps intermittently.*
- *The buzzer will stop sounding if you then push the engine switch twice, thus bringing it back the ignition mode to "LOCK" (OFF).*

NOTE:

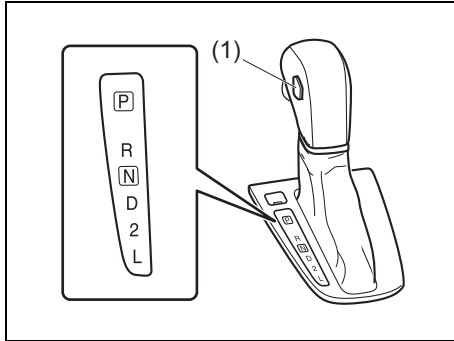
Whenever you leave the vehicle, make sure you have returned the ignition mode to "LOCK" (OFF) using the engine switch and then lock the doors. Without returning the ignition mode to "LOCK" (OFF), you cannot use a request switch or keyless push start system remote controller to lock the doors.

Steering lock warning buzzer

If the steering lock fails to engage due to a fault in the system when the ignition mode is turned to "LOCK" (OFF) by pressing the engine switch and then any door is opened or closed, the interior buzzer will warn you of this condition with repeated short beeps. If this happens, have the vehicle inspected by an authorized SUZUKI dealer.

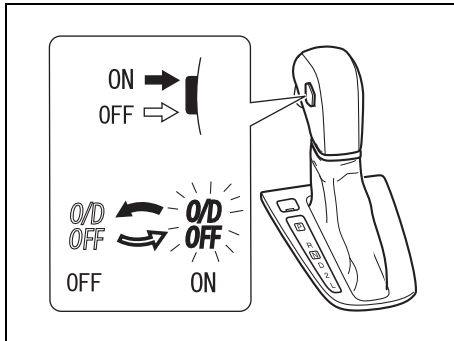
Using the Transaxle

4-Speed Automatic Transaxle



79PS1A303

(1) Overdrive off switch



79PS1A304

Overdrive off switch

The transaxle is a 4-speed (3-speed plus overdrive) automatic transaxle. By operating the overdrive off switch, the transaxle can be converted to a 3-speed automatic transaxle that will not move to the overdrive position. To convert the transaxle to the 3-speed mode, push in the overdrive off switch and release it.

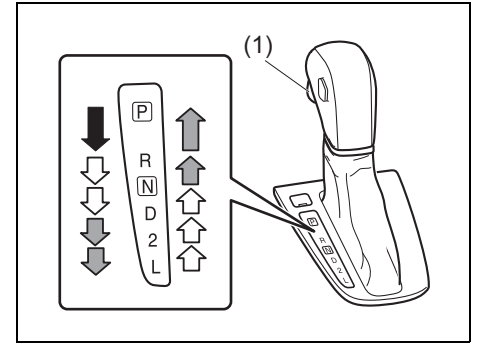
To return the transaxle to the 4-speed mode, push in the overdrive off switch again.

When the ignition switch is turned to the "ACC" position or the engine switch is pressed to change the ignition mode to "ACC", the transaxle in the 3-speed mode is converted to the 4-speed mode automatically.

The 3-speed mode is suitable for the following driving conditions:

- Driving on hilly, winding roads
 - You can drive more smoothly with less frequent gear changing
- Going down a steep hill
 - Some engine braking is provided

Gearshift lever



79PS1A305

(1) knob button



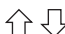
The gearshift lever is designed so that it cannot be shifted out of the "P" position unless the ignition switch is in the "ON" position or the ignition mode is "ON" and the brake pedal is depressed.

⚠ WARNING

Always depress the brake pedal before shifting from "P" (Park) (or "N" (Neutral) if the vehicle is stationary) to a forward or reverse gear, to help prevent the vehicle from moving unexpectedly when you shift.

The gearshift lever has a lock mechanism to help prevent accidental shifting. To shift the gearshift lever:

OPERATING YOUR VEHICLE

	Shift with the knob button (1) pushed in and the brake pedal depressed.
	Shift with the knob button (1) pushed in.
	Shift without the knob button (1) pushed in.

NOTE:

- Always shift the gearshift lever without pushing in the knob button (1) except when you shift from “P” to “R”, from “D” to “2”, from “2” to “L”, from “N” to “R” or from “R” to “P”. If you always push in the knob button (1) when shifting the gearshift lever, you could shift into “P”, “R”, “2”, or “L” by mistake.
- If driver’s or passenger’s knee hits the gearshift lever while driving, the lever could move and the gear could be changed unexpectedly.

Use the gearshift lever positions as described below:

P (Park)

Use this position to lock the transaxle when the vehicle is parked or when starting the engine. Shift into Park only when the vehicle is completely stationary.

R (Reverse)

Use this position to reverse the vehicle from stop. Make sure that vehicle is completely stationary before shifting into Reverse.

N (Neutral)

Use this position for starting the engine if the engine stalls and you need to restart it while the vehicle is moving. You may also shift into Neutral and depress the brake pedal to hold the vehicle stationary during idling.

D (Drive)

Use this position for all normal driving.

With the gearshift lever in “D” range you can get an automatic downshift by pressing the accelerator pedal. The higher the vehicle speed is, the more you need to press the accelerator pedal to get a downshift.

2 (Low 2)

Use this position to provide extra power when climbing hills, or to provide engine braking when going down hills.

L (Low 1)

Use this position to provide maximum power when climbing steep hills or driving through deep snow or mud, or to provide maximum engine braking when going down steep hills.

NOTE:

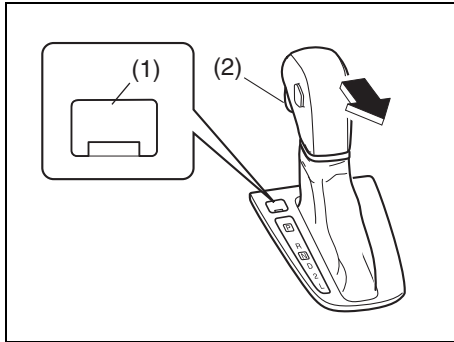
If you move the gearshift lever to a lower gear while driving faster than the maximum allowable speed for the lower gear, the transaxle will not actually downshift until your speed drops below the maximum speed for the lower gear.

NOTICE

Be sure to take the following precautions to help avoid damage to the automatic transaxle:

- **Make sure that the vehicle is completely stationary before shifting into “P” or “R”.**
- **Do not shift from “P” or “N” to “R”, “D”, “2”, or “L” when the engine is running above idle speed.**
- **Do not rev the engine with the transaxle in a drive position (“R”, “D”, “2”, or “L”) and the front wheels not moving.**
- **Do not use the accelerator to hold the vehicle on a hill. Use the vehicle’s brakes.**

If You Cannot Shift Automatic Transaxle Gearshift Lever Out of “P” (PARK)



68LM312

Vehicles with an automatic transaxle have an electrically operated park-lock feature. If the vehicle's battery is discharged, or there is some other electrical failure, the automatic transaxle cannot be shifted out of Park in the normal way. Jump starting may correct the condition. If not, follow the procedure described below. This procedure will permit shifting the transaxle out of Park.

- 1) Be sure the parking brake is firmly applied.
- 2) If the engine is running, stop the engine.

- 3) Make sure the key is in the “ON” or “ACC” position, or the ignition mode is “ON” or “ACC”.
- 4) Remove the cover (1) over the button.
- 5) With the release button (1) pushed by the key or the flat end rod, push the knob button (2) and shift the gearshift lever to the desired position.

This procedure is for emergency use only. If repeated use of this procedure is necessary, or the procedure does not work as described, take the vehicle to your dealer for repair.

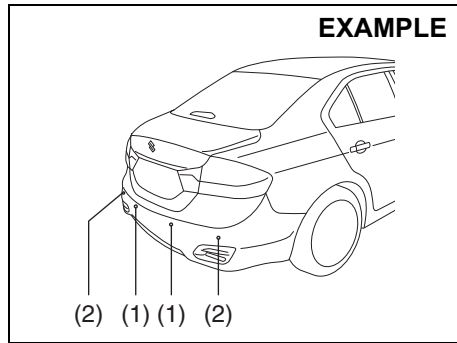
Parking Sensors (if equipped)

- The parking sensor system uses ultrasonic sensors to detect obstacles near the rear bumpers. If obstacles are sensed while you are parking or moving the vehicle slowly, the system warns you by sounding a buzzer.
- The system emits an ultrasonic wave and the relevant sensor detects the return of the wave reflected by an obstacle. The system measures the time taken by the ultrasonic wave to reach the obstacle and return from it, from which it determines the obstacle's position.
- The parking sensor function can be used when the engine switch is pressed to change the ignition mode to “ON”, the gearshift lever is in the “R” position and the parking sensor switch is in the “ON” position. This function is helpful in the following cases: pulling over to the curb; parallel-parking the vehicle; steering the vehicle into a garage; driving along an alley; and moving slowly in a place with obstacles.

WARNING

- The parking sensor warns you of obstacles with buzzers. However, you must still pay full attention yourself while driving.
- The sensors can detect obstacles only within a limited area and only when the vehicle is moving within a limited speed range. So, in tricky areas, you must move the vehicle slowly while checking around it using your direct vision or rearview mirrors. There is increased risk of an accident if you control the vehicle relying only on the parking sensor.

Sensor Locations



- (1) Rear center sensors (2 places)
- (2) Rear corner sensors (2 places)

NOTICE

- Avoid hitting the sensor areas or directing the nozzle of a high-pressure car washer onto the sensor areas. Otherwise, the sensors may be damaged.
- If the bumper hits a hard object, the sensors on it may not work properly. If this occurs, have the sensors inspected by an authorized SUZUKI dealer.

Working sensors

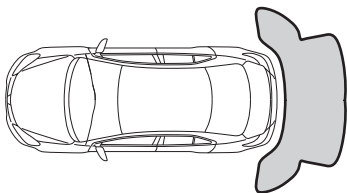
The sensors that work depends on the position of the gearshift lever as follows:

Gearshift lever position		Manual transaxle		Automatic transaxle	
		R	N, 1st – 5th	R	N, D, 2 or L
Rear sensors	Center	On	Off	On	Off
	Corner	On	Off	On	Off

OPERATING YOUR VEHICLE

Approximate areas where obstacles can be detected

EXAMPLE



79MH0308

- An obstacle within about 20 cm (8 in) from a sensor or just below a sensor is not detectable.
- The sensors can detect an obstacle up to about 1.5 m (5 ft) from the rear of vehicle.

⚠ WARNING

- Under the following conditions, the parking sensor system may not work normally because the sensors cannot detect obstacles correctly.
 - Sensors are covered with mud, ice or other materials. (Such materials must be removed for normal operation.)
 - Sensors are wet from water splashes or heavy rain.
 - Sensors are covered by a hand, sticker, accessory, etc.
 - There is an accessory or other object attached within the sensor's sensing area.
 - Items such as tow hooks, commercially available corner poles, radio antenna, etc. are installed on the bumper.
 - The height of the bumper is changed due to alteration to the suspension or other causes.
 - The sensor areas are extremely hot from direct sunlight or cold due to freezing weather.
 - The vehicle is on a rough surface, slope, gravel road or grass field.
 - The vehicle is at a steep angle.

(Continued)

⚠ WARNING

(Continued)

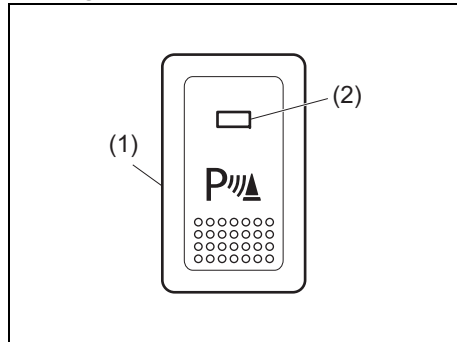
- Sensors have intercepted ultrasonic noise from another vehicle's horn, engine, air braking system (large vehicles), or parking sensor.
- Obstacles are too close to the sensors.
- Sensors are at an angle to a highly reflective object such as glass. (Ultrasonic waves are not reflected back from the obstacle.)
- Sensors may not be able to correctly detect the following types of obstacles:
 - Objects made of a thin material like wire netting and ropes
 - Square-shaped curbstones or other objects with sharp edges
 - Tall objects with a large upper part like a road sign
 - Low-profile objects such as curbstones
 - Sound-absorbing objects such as cotton and snow

NOTE:

- Thin poles or obstacles lower than the sensors may become undetectable as the vehicle moves closer to them even if they have been detected from longer distances.
- The system may calculate the distance to a road sign or similar obstacle to be shorter than the actual distance.

How to Use the Parking Sensor

Parking sensor switch



54P000315

- (1) Parking sensor switch
- (2) Indicator

- Press the engine switch to change the ignition mode to “ON” with the parking sensor switch in the “ON” position.
- Push the switch again and it stays in; this is the OFF position. The indicator in the switch goes out and the parking sensor is deactivated.

Switch position	State
<p>EXAMPLE</p>	<p>ON</p> <ul style="list-style-type: none"> • When the indicator light is on and all necessary conditions are met, system becomes ready for operation.
<p>EXAMPLE</p>	<p>OFF</p> <ul style="list-style-type: none"> • The system does not operate. Push the switch to turn off the indicator if you do not wish to use the parking sensor.

NOTE:

- If you push the parking sensor switch from the “OFF” to “ON” position when the engine switch is pressed to change the ignition mode to “ON”, the inside buzzer sounds.
- When the gearshift lever is shifted to the “R” (Reverse) position with the system ON, a buzzer will sound once.

OPERATING YOUR VEHICLE

Obstacle Indication by Parking Sensor

Upon detecting an obstacle, the parking sensor causes an interior buzzer to sound.

- A buzzer located behind the rear seat sounds when a sensor at the rear detects an obstacle.

- Warnings when obstacles are detected by corner sensors

Distance (approx.)	Buzzer
45 – 60 cm (18 – 24 in.)	Short beeps at short intervals
35 – 45 cm (14 – 18 in.)	Short beeps at very short intervals
Less than 35 cm (14 in.)	Continuous beep

- Warnings when obstacles are detected by center sensors

Distance (approx.)	Buzzer
60 – 150 cm (24 – 59 in.)	Short beeps at long intervals
45 – 60 cm (18 – 24 in.)	Short beeps at short intervals
35 – 45 cm (14 – 18 in.)	Short beeps at very short intervals
Less than 35 cm (14 in.)	Continuous beep

Warning and Indicator Messages

If there is a problem or warning regarding the parking sensor system, a buzzer and the status of the indicator on the parking sensor inform it. Follow its instruction.

- The buzzer sounds intermittently. The indicated sensor is contaminated. Wipe it clean with a soft cloth. If the buzzer does not stop after wiping, there may be problem with the parking sensor system. Have your vehicle inspected by an authorized SUZUKI dealer.
- The indicator does not come on when the parking sensor switch is pressed. The indicator goes off while operating. There may be a problem with the parking sensor system. Have your vehicle inspected by an authorized SUZUKI dealer.

Rearview Camera (if equipped)

When the gearshift lever is shifted to the “R” position while the ignition mode is “ON”, the view behind the vehicle will automatically appear on the display of the inside rearview mirror or Navigation display (if equipped).

WARNING

The distance viewed in the rearview camera may differ from the actual distance according to the condition of road or the load the vehicle is carrying. Since the camera display area is also limited, backing up by only looking at the display may cause an accident or a collision with an object.

The rearview camera cannot replace the driver’s attention. The driver alone is responsible for parking and similar driving maneuvers.

- **Use the rearview camera only to provide driving assistance.**
- **Always drive carefully confirming the safety of the rear and the surrounding conditions by looking directly with your eyes and using the rear view mirror.**
- **Make sure that the trunk lid is securely closed when backing up.**

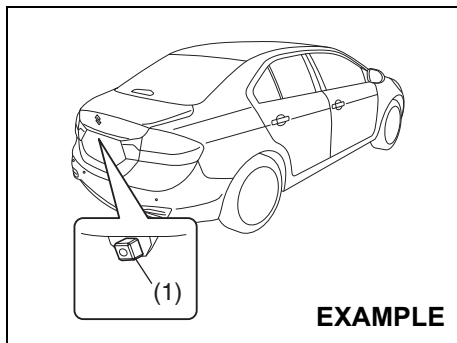
NOTICE

If you use the rearview camera for a long time when the ignition mode is “ON”, but the engine is not running, the battery may discharge.

Do not leave the ignition mode “ON” for a long time when the engine is not running.

OPERATING YOUR VEHICLE

Rearview Camera Location



79MH0312

(1) Rearview camera

The rearview camera is installed beside the license plate light.

NOTICE

The rearview camera is a precision instrument. If you strike the camera, it may be broken and cause damage resulting in a catching fire or a malfunction.

- Do not strike the camera.
- Do not remove snow or mud on the camera lens with a stick.

NOTICE

If water enters the rearview camera, it may cause a malfunction or catching fire.

Do not use high pressure water around the camera.

NOTICE

This lens is hard coated to prevent damage or discoloration. Damage or discoloration of lens may obscure the image.

- Do not use a brush to clean lens.
- Do not use alcohol, benzene or thinner to clean the lens.
- Do not use wax on the camera lens.

NOTE:

If body wax does get on the camera lens, wipe off the wax with a clean cloth dampened with mild detergent diluted with water, then wipe with a dry cloth.

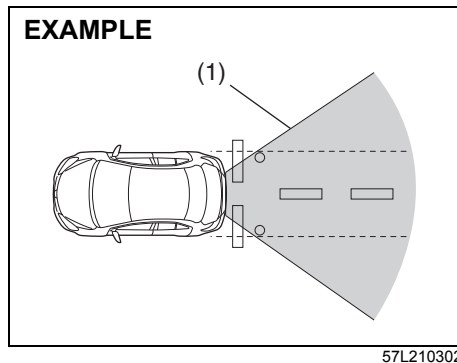
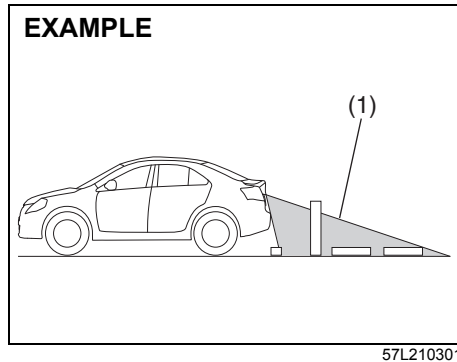
How to Use Rearview Camera

- 1) Press the engine switch to change the ignition mode to "ON".
- 2) Shift the gearshift lever in the "R" position.
 - The view behind the vehicle will automatically appear on the display of the inside rearview mirror or Navigation display (if equipped).
 - When the gearshift lever is shifted from "R" to another gearshift lever position, the display will return to its original indication.

Display Range of Rearview Camera

The rearview camera display shows the area behind the rear end of the trunk lid. The display cannot show objects which are close to the bumper or under the bumper. The rearview camera display cannot show obstacles which are higher than the camera. Upper parts of tall objects such as road signs cannot be viewed on the display.

Example of display range of rearview camera



(1) Display range

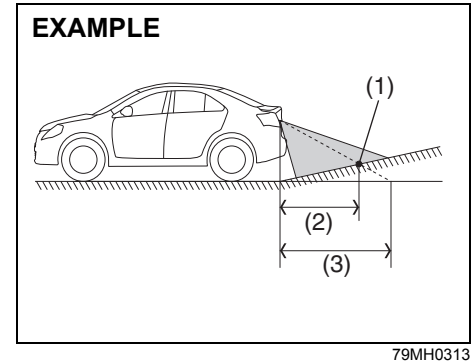
NOTE:

- Images shown on the display from the rearview camera are reversed images (mirror images).
- The colors of objects on the rearview camera may differ from the actual object colors.
- The rearview camera display may be difficult to see under the following conditions, but this is not a system malfunction.
 - In dark areas, on a rainy day or at night.
 - When the temperature around the lens is too high/low, or the camera is wet such as on a rainy day or during periods of high humidity (dew condensation may occur on the camera lens).
 - When a foreign object such as mud or a drop of water is stuck around the camera lens.
 - When strong light directly enters the camera (vertical lines may be seen on the display).
 - Under fluorescent light. (The display may flicker.)
 - When the outside temperature is low (the image on the display may be darkened).

Example of rearview camera screen indication

The distance viewed in the rearview camera may differ from the actual distance according to the condition of the road or the load the vehicle is carrying.

Uphill Incline behind the Vehicle

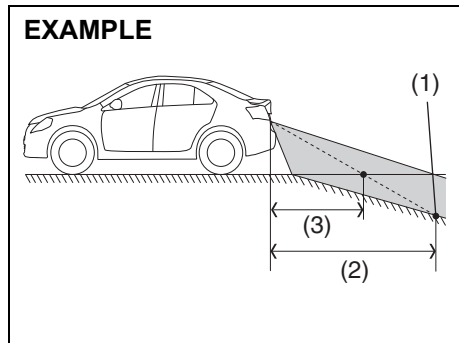


- (1) Object
- (2) Actual distance
- (3) Distance on the display

When there is an uphill incline behind the vehicle, the object shown on the display appears farther away than the actual distance.

OPERATING YOUR VEHICLE

Downhill Incline behind the vehicle



- (1) Object
- (2) Actual distance
- (3) Distance on the display

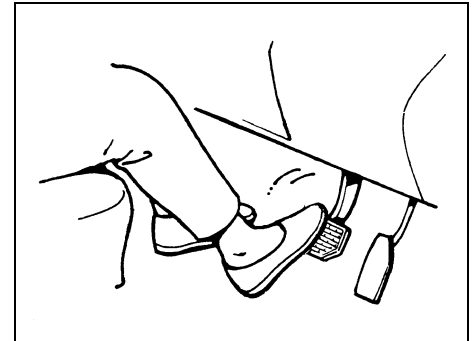
When there is a downhill incline behind the vehicle, the object shown on the display appears closer than the actual distance.

If the rear view from the rearview camera is not shown or there is a poor image

- If the rear view from the rearview camera is not shown.
 - Check to make sure that the ignition mode is “ON”.
 - Check to make sure that the gearshift lever is shifted to the “R” position.
- If the image from the rearview camera is poor.
 - Check to make sure that the camera lens is not dirty.
 - Check to make sure that light from the sun or the beam of the headlights from the vehicle behind is not shining directly into the lens.

If the rearview camera system is still not working properly after checking the above, have the system inspected by an authorized SUZUKI dealer as soon as possible.

Braking



60G165S

The distance needed to bring any vehicle to a halt increases with the speed of the vehicle. The braking distance needed, for example, at 60 km/h (37 mph) will be approximately 4 times greater than the braking distance needed at 30 km/h (19 mph). Start to brake the vehicle when there is plenty of distance between your vehicle and the stopping point, and slow down gradually.

WARNING

If water gets into the brake devices, brake performance may become poor and unpredictable. After driving through water or washing the underside of the vehicle, test the brakes while driving at a slow speed to see if they have maintained their normal effectiveness. If the brakes are less effective than normal, dry them by repeatedly applying the brakes while driving slowly until the brakes have regained their normal effectiveness.

Power-Assisted Brakes

Your vehicle has power-assisted brakes. If power assistance is lost due to a stalled engine or other failures, the system is still fully operational on reserve power and you can bring the vehicle to a complete stop by pressing the brake pedal once and holding it down. The reserve power is partly used up when you depress the brake pedal and reduces each time the pedal is pressed. Apply smooth and even pressure to the pedal. Do not pump the pedal.

WARNING

Even without reserve power in the brake system, you can still stop the vehicle by pressing the brake pedal harder than normally required. However, the stopping distance may be longer.

Brake Assist System

When you slam the brakes on, the brake assist system judges as an emergency stop and provides more powerful braking for a driver who cannot hold down the brake pedal firmly.

NOTE:

If you quickly and forcefully depress the brakes, you may hear a clicking sound in the brake pedal. This is normal and indicates that the brake assist system is activated properly.

Anti-Lock Brake System (ABS)

ABS will help you avoid skidding by electronically controlling braking pressure. It will also help you maintain steering control when braking on slippery surfaces or when braking hard.

The ABS works automatically, so you do not need any special braking technique. Just push the brake pedal down without pumping. The ABS will operate whenever

it senses that the wheels are locking up. You may feel the brake pedal moves a little while the ABS is operating.

NOTE:

- *The ABS will not work if vehicle speed is under about 9 km/h (6 mph).*
- *If the ABS system is activated, you may hear a clunking noise and/or feel pulsating in the brake pedal. This is normal and indicates that the brake fluid pressure is being controlled properly.*
- *You may hear a clunking sound when you start the engine or after the vehicle begins to move. This means that the above systems are in the self-check mode. This sound does not indicate a malfunction.*

⚠ WARNING

- On some types of loose surfaces (such as gravel, snow-covered roads, etc.) the stopping distance required for an ABS-equipped vehicle may be slightly greater than for a comparable vehicle with a conventional brake system. With a conventional brake system, skidding tires are able to “plow” the gravel or snow layer, shortening the stopping distance. ABS minimizes this resistance effect. Allow for extra stopping distance when driving on loose surfaces.
- On regular paved roads, some drivers may be able to obtain slightly shorter stopping distances with conventional brake systems than with ABS.

(Continued)

⚠ WARNING

(Continued)

- In both of the above conditions, ABS will still offer the advantage of helping you maintain directional control. However, remember that ABS will not compensate for bad road or weather conditions or poor driver judgment. Use good judgment and do not drive faster than conditions will safely allow.



(1)



(2)

- (1) ABS warning light
(2) Brake system warning light

63J081

⚠ WARNING

- If the ABS warning light (1) on the instrument panel comes on and stays on while driving, there may be a problem with the ABS system. Ask your SUZUKI dealer to inspect the ABS system immediately. If the ABS system becomes inoperative, the brake system will function as an ordinary brake system that has no ABS.
- If the ABS warning light (1) and the Brake system warning light (2) on the instrument panel simultaneously stays on or comes on when driving, both anti-lock function and rear brake force control function (proportioning valve function) of the ABS system may have failed. If so, the rear wheels may easily skid or the vehicle can even spin in the worst case when braking on a slippery road or when hard braking even on a dry paved road. Ask your SUZUKI dealer to inspect the ABS system immediately. Drive carefully, avoiding hard braking as much as possible.

How the ABS Works

A computer continuously monitors wheel speed. The computer compares the changes in wheel speed when braking. If the wheels slow suddenly, indicating a skidding situation, the computer will change braking pressure several times each second to prevent the wheels from locking. When you start your vehicle or when you accelerate after a hard stop, you may hear a momentary motor or clicking noise as the system resets or checks itself.

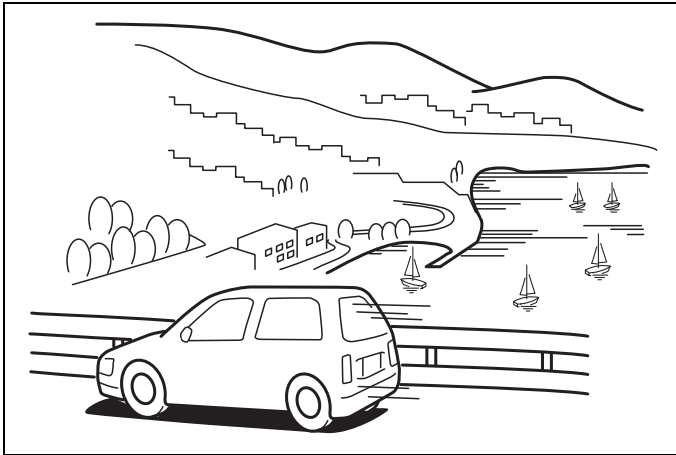
WARNING

The ABS may not work properly if tires or wheels other than those specified in the owner's manual are used. This is because the ABS works by comparing changes in wheel speed. When replacing tires or wheels, use only the size and type specified in this owner's manual.

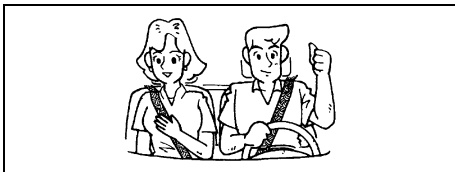
MEMO

DRIVING TIPS

Running-in	4-1
Catalytic Converter	4-1
Improving Fuel Economy	4-2
Highway Driving	4-3
Driving on Hills	4-3
Driving on Slippery Roads	4-4



60G409



52D078S

⚠ WARNING

- **Wear Your Seat Belts at All Times.** Even though air bags are equipped at the front seating positions, the driver and all passengers should be properly restrained at all times, using the seat belts provided. Refer to the “Seat Belts and Child Restraint Systems” section for instructions on proper use of the seat belts.
- **Never drive while under the influence of alcohol or other drugs.** Alcohol and drugs can seriously impair your ability to drive safely, greatly increasing the risk of injury to yourself and others. You should also avoid driving when you are tired, sick, irritated, or under stress.

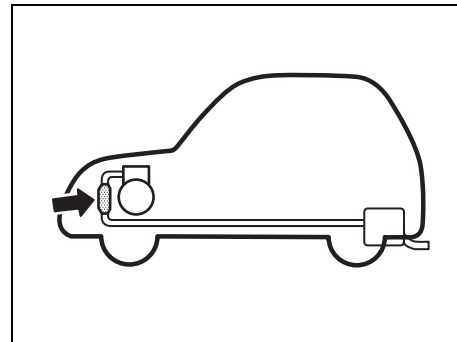
Running-in

NOTICE

The future performance and reliability of the engine depends on the care and restraint exercised during its early life. It is especially important to observe the following precautions during the initial 960 km (600 miles) of vehicle operation.

- **After starting, do not race the engine.** Warm it up gradually.
- **Avoid prolonged vehicle operation at a constant speed.** Moving parts will break in better if you vary your speed.
- **Start off from a stop slowly.** Avoid full throttle starts.
- **Avoid hard braking, especially during the first 320 km (200 miles) of driving.**
- **Do not drive slowly with the transaxle in a high gear.**
- **Drive the vehicle at moderate engine speeds.**
- **Do not tow a trailer during the first 960 km (600 miles) of vehicle operation.**

Catalytic Converter



80G106

The purpose of the catalytic converter is to minimize the amount of harmful pollutants in your vehicle's exhaust. Use of leaded fuel in vehicles equipped with catalytic converters is prohibited, because lead deactivates the pollutant-reducing components of the catalyst system.

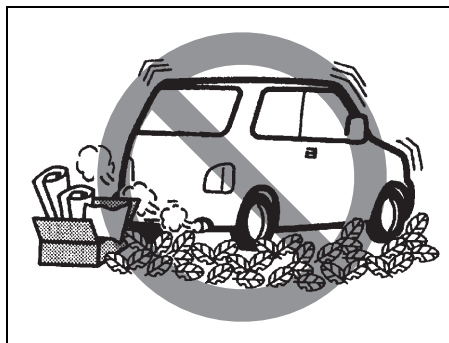
The converter is designed to last the life of the vehicle under normal usage and when unleaded fuel is used. No special maintenance is required on the converter. However, it is very important to keep the engine properly tuned. Engine misfiring, which can result from an improperly tuned engine, may cause overheating of the catalyst. This may result in permanent heat damage

to the catalyst and other vehicle components.

NOTICE

To minimize the possibility of catalyst or other vehicle damage:

- Maintain the engine in the proper operating condition.
- In the event of an engine malfunction, particularly one involving engine misfire or other apparent loss of performance, have the vehicle serviced promptly.
- Do not turn off the engine or interrupt the ignition when the transaxle is in gear and the vehicle is in motion.
- Do not try to start the engine by pushing or towing the vehicle, or coasting down a hill.
- Do not idle the engine with any spark plug wires disconnected or removed, such as during diagnostic testing.
- Do not idle the vehicle for prolonged periods if idling seems rough or there are other malfunctions.
- Do not allow the fuel tank to get near the empty level.



54G584S

WARNING

Be careful where you park and drive; the catalytic converter and other exhaust components can get very hot. As with any vehicle, do not park or operate this vehicle in areas where combustible materials such as dry grass or leaves can come in contact with a hot exhaust system.

Improving Fuel Economy

The following instructions will help you improve fuel economy.

Avoid excessive idling

If you are to wait for more than a minute while you are parked, stop the engine and start it again later. When warming up a cold engine, allow the engine to idle until the temperature gauge pointer comes up to the "C" position (if the idling is not prohibited). In this position, the engine is sufficiently warm for starting off.

Avoid "fast" starts

Fast starts away from lights or stop signs will consume fuel unnecessarily and shorten engine life. Start off slowly.

Avoid unnecessary stops

Avoid unnecessary deceleration and stopping. Try to maintain a slow, steady speed whenever possible. Slowing down and then accelerating again uses more fuel.

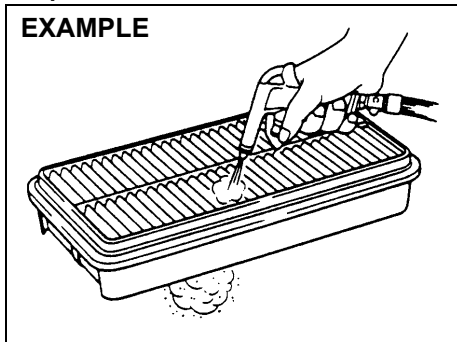
Keep a steady cruising speed

Keep as constant a speed as road and traffic conditions will permit.

DRIVING TIPS

Keep the air cleaner clean

EXAMPLE



60A183S

If the air cleaner is clogged with dust, there will be greater intake resistance, resulting in decreased power output and increased fuel consumption.

Keep weight to a minimum

The heavier the load, the more fuel the vehicle consumes. Take out any luggage or cargo when it is not necessary.

Keep tire pressures correct

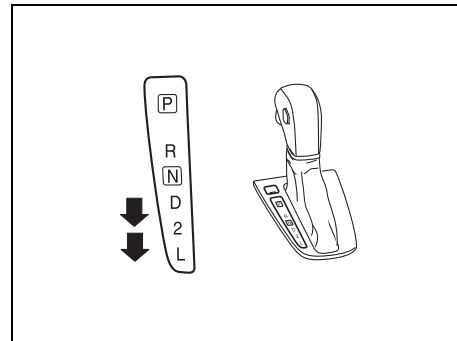
Underinflation of the tires can waste fuel due to increased running resistance of the tires. Keep your tires inflated to the correct pressure shown on the label on the driver's side door or the driver's door lock pillar.

Highway Driving

When driving at highway speeds, pay attention to the following:

- Stopping distance progressively increases with vehicle speed. Apply the brakes far enough ahead of the stopping point to allow for the extra stopping distance.
- On rainy days, "Hydroplaning" can occur. "Hydroplaning" is the loss of direct contact between the road surface and the vehicle's tires due to a water film forming between them. Steering or braking the vehicle while "Hydroplaning" can be very difficult, and loss of control can occur. Keep speed down when the road surface is wet.
- At high speeds, the vehicle may be affected by side winds. Therefore, reduce speed and be prepared for unexpected buffeting, which can occur at the exits of tunnels, when passing by a cut of a hill, or when being overtaken by large vehicles, etc.

Driving on Hills



79PS1A401

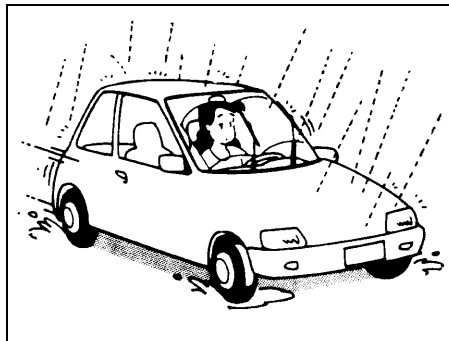
- When climbing steep hills, the vehicle may begin to slow down and show a lack of power. If this happens, you should shift to a lower gear so that the engine will again be operating in its normal power range. Shift rapidly to prevent the vehicle from losing momentum.
- When driving down a hill, the engine should be used for braking by shifting to next lower gear. (Do this with EITHER an automatic transaxle or manual transaxle.)

▲ WARNING

Try not to hold the brake pedal down too long or too often while going down a steep or long hill. This could cause the brakes to overheat, resulting in reduced braking efficiency. Failure to take this precaution could result in loss of vehicle control.

NOTICE

When descending a down hill, **NEVER** turn the ignition key to the "LOCK" position or press the engine switch to change the ignition mode to "LOCK" (OFF). Emission control system and automatic transaxle (if equipped) damage may result.

Driving on Slippery Roads

60G089S

Under wet road conditions you should drive at a lower speed than on dry roads due to possible slippage of tires during braking. When driving on icy, snow-covered, or muddy roads, reduce your speed and avoid sudden acceleration, abrupt braking, or sharp steering movements.

Tire Chains

Tire chains should only be used if they are needed to increase traction or are required by law. Make sure that the chains you use are the correct size for your vehicle's tires. Also make sure that there is enough clearance between the fenders and the chains as installed on the tires.

Install the chains on the front tires tightly, according to the chain manufacturer's instructions. Retighten the chains after driving about 1.0 km (1/2 mile) if necessary. With the chains installed, drive slowly.

NOTICE

- **If you hear the chains hitting against the vehicle body while driving, stop and tighten them.**
- **If your vehicle is equipped with full wheel caps, remove the wheel caps before installing the chains or the wheel caps can be damaged by the chain bands.**

If Your Vehicle Gets Stuck

If your vehicle gets stuck in snow, mud, or sand, follow the directions below:

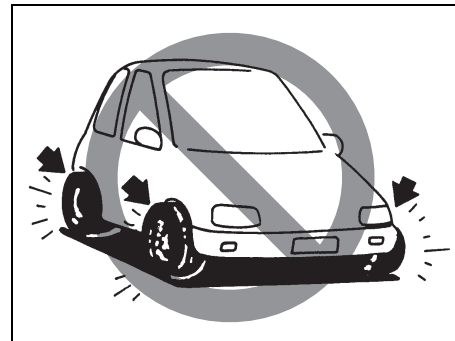
- 1) Shift the transaxle back and forth between a forward range (or first gear for manual transaxle) and reverse. This will create a rocking motion which may give you enough momentum to free the vehicle. Press gently on the accelerator to keep wheel spinning to a minimum wheel rpm. Remove your foot from the accelerator while shifting.
Do not race the engine. Excessive wheel spin will cause the tires to dig deeper, making it more difficult to free the vehicle.
- 2) If your vehicle remains stuck after a few minutes of rocking, we recommend you to consult your SUZUKI dealer or a roadside assistance service. If a towing service is not available in an emergency, your vehicle may be temporarily towed by a towing cable or chain secured to the towing hook either on the front of the vehicle or on the rear of the vehicle. Refer to "Frame Hooks" in the "OTHER CONTROLS AND EQUIPMENT" section.

WARNING

Do not allow anyone to stand near the vehicle when you are rocking it, and do not spin the wheels faster than an indicated 40 km/h (25 mph) on the speedometer. Personal injury and/ or vehicle damage may result from spinning the wheels too fast.

NOTICE

Do not continue rocking the vehicle for more than a few minutes. Prolonged rocking can cause engine overheating or transaxle damage.



54G638S

WARNING

In addition to following the driving tips in this section, it is important to observe the following precautions.

- **Make sure your tires are in good condition and always maintain the specified tire pressure. Refer to "Tires" in the "INSPECTION AND MAINTENANCE" section for details.**

(Continued)

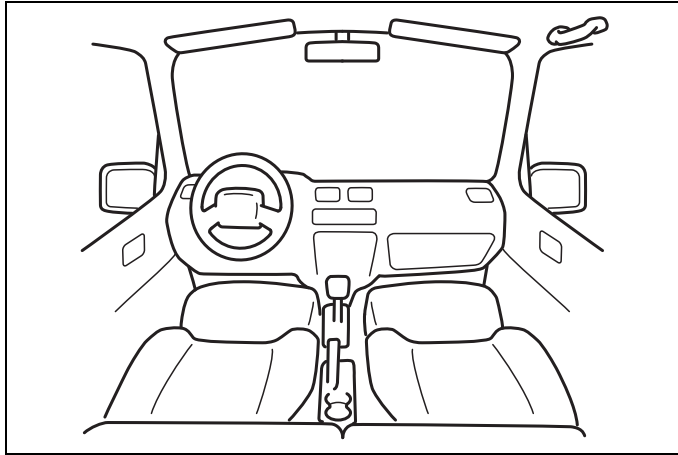
 **WARNING**

(Continued)

- **Do not use tires other than those specified by SUZUKI. Never use different sizes or types of tires on the front and rear wheels. For information regarding the specified tires, refer to the Tire Information Label located on the driver's door lock pillar.**
- **Never use oversized tires or special shock absorbers and springs to raise (jack up) your vehicle. This will change the handling characteristics. Oversized tires may also rub against the fender over bumps, causing vehicle damage or tire failure.**
- **After driving through water, test the brakes while driving at a slow speed to see if they have maintained their normal effectiveness. If the brakes are less effective than normal, dry them by repeatedly applying the brakes while driving slowly until the brakes have regained their normal effectiveness.**

MEMO

OTHER CONTROLS AND EQUIPMENT



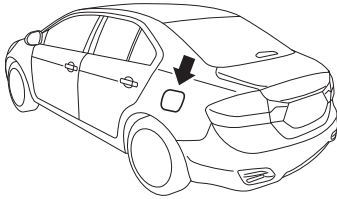
60G407

Fuel Filler Cap	5-1
Engine Hood	5-2
Sun Visor	5-4
Interior Light	5-5
Accessory Socket	5-7
AUX/USB Socket (if equipped)	5-8
Assist Grips (if equipped)	5-8
Glove Box	5-9
Cup Holder and Storage Area	5-10
Footrest	5-13
Floor Mats (if equipped)	5-13
Frame Hooks	5-14
Heating (if equipped) and Air Conditioning System	5-15
Automatic Heating and Air Conditioning System (Climate Control)	5-18
Radio Antenna	5-24
Installation of Radio Frequency Transmitters	5-24
Audio System (Type A) (if equipped)	5-25
Remote Audio Controls (if equipped)	5-66

OTHER CONTROLS AND EQUIPMENT

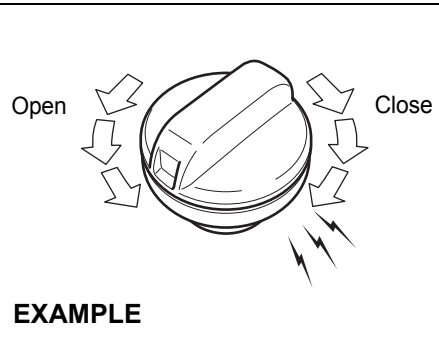
Fuel Filler Cap

EXAMPLE



79MS0T501

The fuel filler cap is located on the left rear side of the vehicle. The fuel filler door can be unlocked by pulling up the opener lever located on the outboard side of the driver's seat and locked by simply closing the door.



57L51093

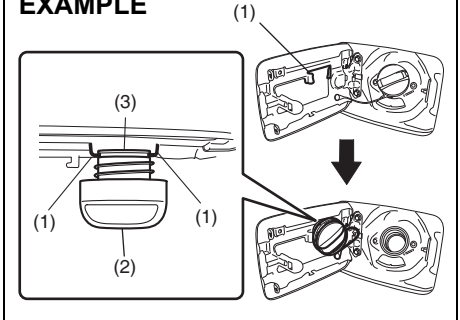
To remove the fuel filler cap:

- 1) Open the fuel filler door.
- 2) Remove the cap by turning it counter-clockwise.

CAUTION

Remove the fuel filler cap slowly. The fuel may be under pressure and may spray out, causing injury.

EXAMPLE



61MM0B104

NOTE:

The cap holder (1) holds the fuel filler cap (2) by hooking the groove (3) when refueling.

To reinstall the fuel filler cap:

- 1) Turn the cap clockwise until you hear several clicks.
- 2) Close the fuel filler door.

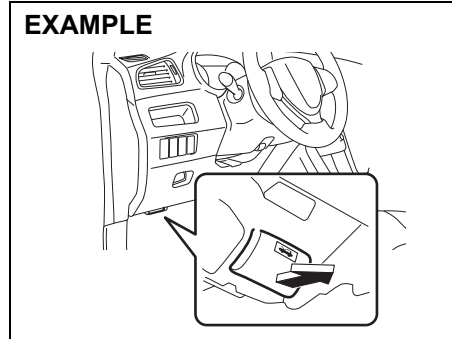
WARNING

Fuel is extremely flammable. Do not smoke when refueling, and make sure there are no open flames or sparks in the area.

⚠ WARNING

If you need to replace the fuel cap, use a genuine SUZUKI cap. Use of an improper cap can result in a malfunction of the fuel system or emission control system. It may also result in fuel leakage in the event of an accident.

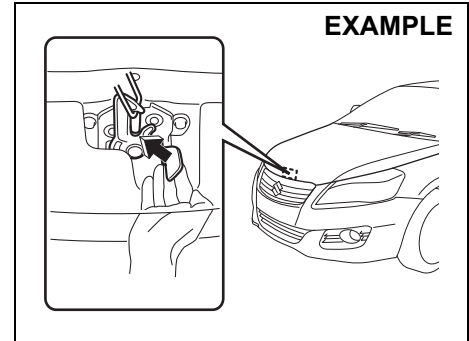
Engine Hood



79PS1A501

To open the engine hood:

- 1) Pull the hood release handle located on the outboard side of the driver's side of the instrument panel. This will disengage the engine hood lock halfway.



79MH0503

- 2) Push the under-hood release lever sideways with your finger, as shown in the illustration. While pushing the lever, lift up the engine hood.

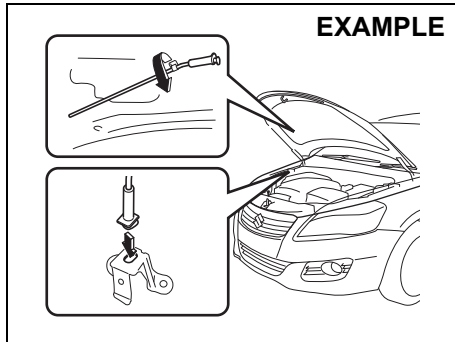
⚠ CAUTION

The release lever can be hot enough to burn your finger right after driving. Touch the lever after it becomes cool enough.

NOTICE

Make sure that the wiper arms are not raised before you lift up the engine hood to avoid damaging the wiper arms and the engine hood.

OTHER CONTROLS AND EQUIPMENT



79MS0T522

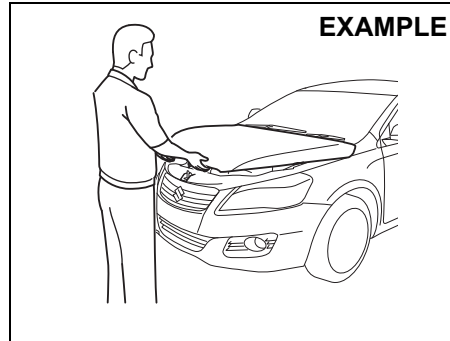
- 3) While holding the hood, pull the prop rod out from the holding clip, then insert the end of the rod into the designated hole.

CAUTION

- The prop rod can be hot enough to burn your finger right after driving. Touch the rod after it becomes cool enough.
- Insert the end of the rod into the hole securely. If the rod drops off, your body may be caught in the hood.
- The rod may drop off when the hood is hit by a wind. Be careful on windy days.

To close the engine hood:

- 1) Lift the hood up slightly and remove the prop rod from the hole. Put the prop rod back to the holding clip.



79MHA0501

- 2) Lower the hood to about 20 cm above the hood latch, then let it drop down. Make sure the hood is securely latched after closing.

WARNING

Make sure the hood is fully closed and latched before driving. If it is not, it can fly up unexpectedly during driving, obstructing your view and resulting in an accident.

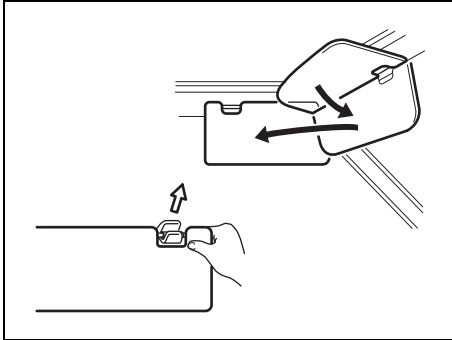
CAUTION

To avoid injury, be sure no part of the occupant's body such as hands or head is in the path of the hood when closing it.

NOTICE

Pressing the hood from above may damage the hood.

Sun Visor



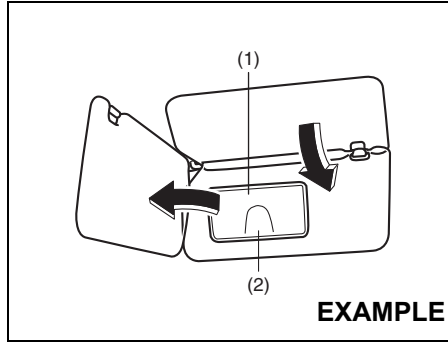
79J161

The sun visors can be pulled down to block glare coming through the windshield, or they can be unhooked and turned to the side to block glare coming through the side window.

NOTICE

When unhooking and hooking a sun visor, be sure to handle it by the hard plastic parts or the sun visor can be damaged.

Card holder (if equipped)



80JM152

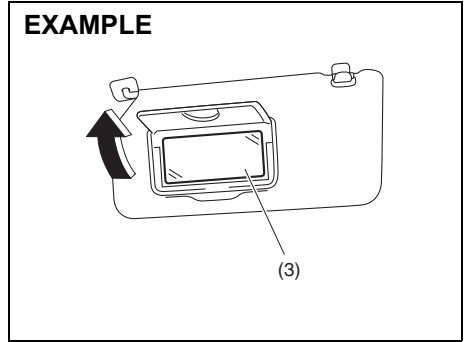
- (1) Mirror cover
- (2) Card holder

You can put a card in the card holder (2) on the back of the sun visor.

NOTICE

When you park your vehicle outdoors in direct sunlight or in hot weather, do not leave plastic cards in the holder. The heat may distort them.

Vanity mirror (if equipped)



79MH0541

- (3) Vanity mirror

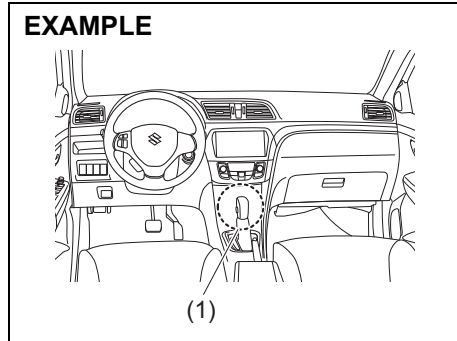
To use the vanity mirror (3) on the back of the sun visor, pull up the mirror cover (1).

⚠ WARNING

- Do not use the mirror while driving your vehicle or could lose control of the vehicle.
- When using the vanity mirror, do not move too close to a front air bag location or lean against it. If the front air bag is accidentally inflated, it could hit you hard.

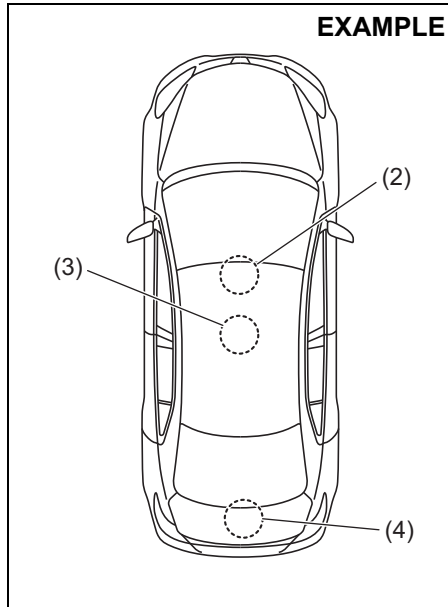
OTHER CONTROLS AND EQUIPMENT

Interior Light



79PS1A502

(1) Instrument panel pocket light



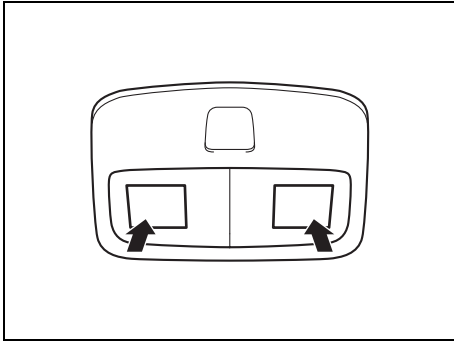
79MSOT503

- (2) Front
- (3) Center
- (4) Trunk lid

Instrument Panel Pocket Light (1)

This light comes on while the position lights, tail light and/or the headlights are on.

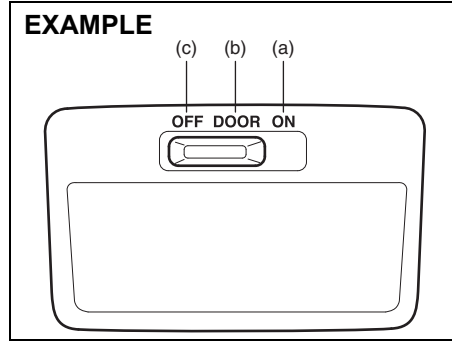
Front (2)



61MM0A205

Push the switch to turn on the light and push it again to turn off the light.

Center (3)



61MM0A107

This light switches have three positions which function as described below:

ON (a)

The light comes on and stays on regardless of whether the door is open or closed.

DOOR (b)

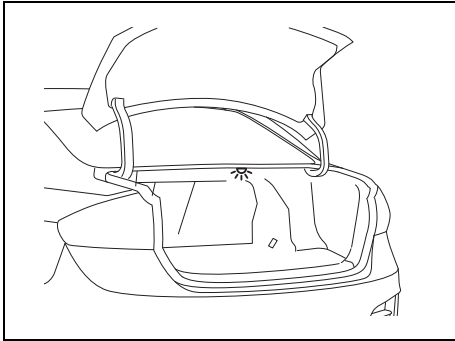
The light comes on when the door is opened. After closing all doors, the light will remain on for about 15 seconds and then fade out. If you insert the key, or press the engine switch to change the ignition mode to "ACC" or "ON" during this time, the light will start to fade out immediately. After removing the key from the ignition switch, the light will turn on for about 15 seconds and then fade out.

OFF (c)

The light remains off even when the door is opened.

OTHER CONTROLS AND EQUIPMENT

Trunk Lid (4)



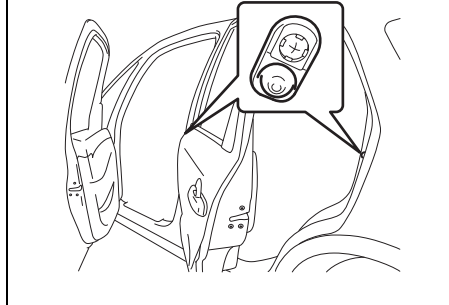
79MH0507

When you open the trunk lid, the trunk light comes on and remains on as long as you keep the lid open.

NOTICE

Do not leave the trunk lid open for a long time, or the battery will discharge.

EXAMPLE



79MH0508

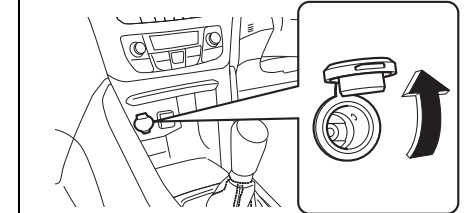
NOTE:

The number of doors involved in the lighting operation of the interior light depends on the vehicle specification. If there is a switch (rubber projection) at the door opening as shown, the door is involved in the lighting operation. The trunk lid is not involved in this operation.

Accessory Socket

Center console

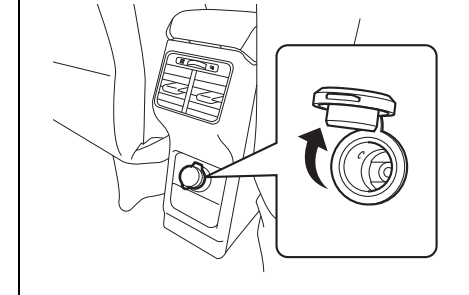
EXAMPLE



79MH0509

Floor console (if equipped)

EXAMPLE



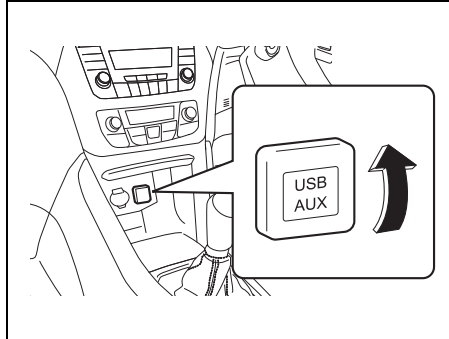
79MH0510

The accessory socket will work when the ignition switch is in the “ACC” or “ON” position, or the ignition mode is “ACC” or “ON”. Each socket can be used to provide 12 volt/120 watt/10 ampere power for electrical accessories when used alone. Make sure that the cap remains on the socket when the socket is not in use.

NOTICE

- To prevent the fuse from being blown, when using sockets at the same time, do not exceed the total combined power capacity of 12 volt/120 watt/10 ampere.
- Use of inappropriate electrical accessories can cause damage to your vehicle’s electrical system. Make sure that any electrical accessories you use are designed to plug into this type of socket.

AUX/USB Socket (if equipped)



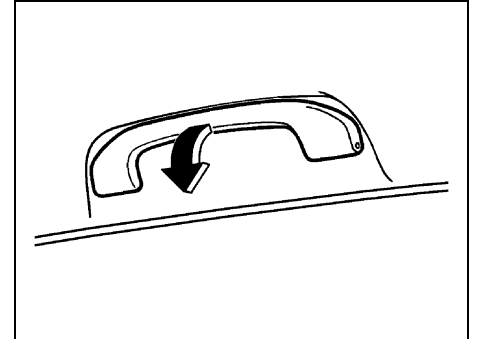
79MH0515

Connect your portable digital music player, etc. to this socket to enjoy music through the vehicle’s audio system using it as a source. Refer to “Audio System” in this section

NOTICE

Always close the lid when not in use, since entry of foreign material, dust, water, conductive liquids may damage the audio system or USB device.

Assist Grips (if equipped)



54G249

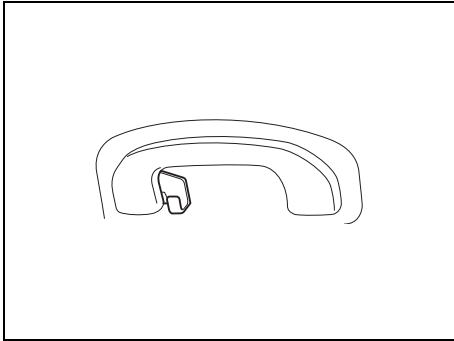
Assist grips are provided for convenience.

NOTICE

To avoid damaging the assist grip and the molded headlining, do not hang down the assist grip.

OTHER CONTROLS AND EQUIPMENT

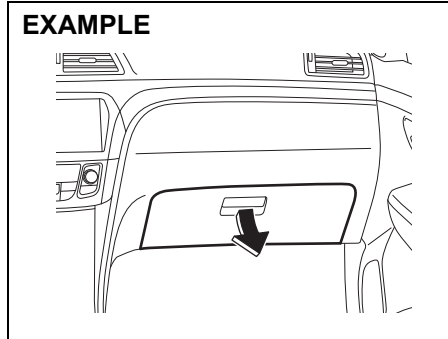
Coat Hooks (if equipped)



61MM0B025

You can hang clothing on the coat hooks. These hooks are not designed for large or heavy items.

Glove Box



79PS1A503

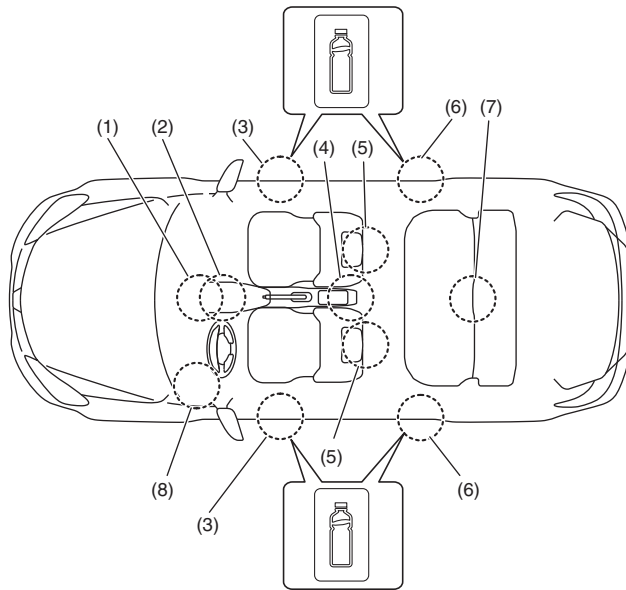
To open the glove box, pull the latch lever. To close it, push the lid until it latches securely.

WARNING

Never drive with the glove box lid open. It could cause injury if an accident occurs.

Cup Holder and Storage Area

EXAMPLE



79PS1A504

**Instrument Panel Pocket (1) /
Driver's Pocket (8)**

▲ WARNING

Do not place any objects which may fall out from the pocket when the vehicle is moving. Failure to take the precaution may result in an object interfering with the pedals and causing a loss of vehicle control or an accident.

- | | |
|--|------------------------------------|
| (1) Instrument panel pocket | (2) Front bottle holders |
| (3) Front bottle holder | (4) Front armrest with console box |
| (5) Front seat back pocket (if equipped) | (6) Rear bottle holder |
| (7) Rear armrest with cup holders | (8) Driver's pocket |

OTHER CONTROLS AND EQUIPMENT

Front Bottle Holders (2)

⚠ WARNING

Failure to take the precautions listed below could cause personal injury or vehicle damage.

- Be careful when you are using the cup holders to hold a cup containing hot liquid. Spilling out hot liquid can cause burn injury.
- Do not use the bottle holders to hold sharp-edged, hard, or breakable objects. Objects in the bottle holders may be thrown about during a sudden stop or impact, and could cause personal injury.
- Be careful not to spill liquid or insert any foreign materials into the moving part of the gearshift lever, or any electrical components. Liquid or foreign materials may damage these parts.

Front Bottle Holder (3) / Rear Bottle Holder (6)

You should hold a bottle with a cap in the holder.

Front Armrest with Console Box (4)

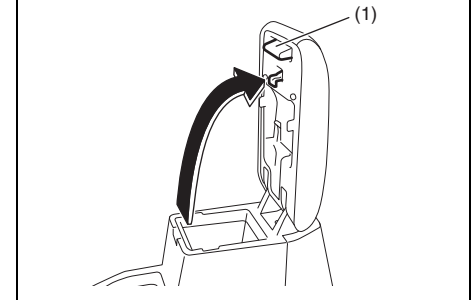
NOTICE

To avoid damage to the armrest, do not lean on it or allow a child to sit on it.

Console box

Use this stowage for keeping small items. Open the compartment by raising the top lid while keeping the lever (1) up.

EXAMPLE

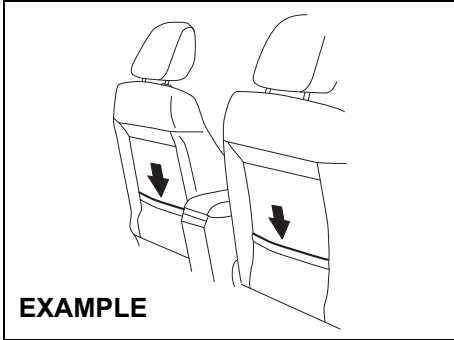


79MH0514

NOTE:

Always close the lid after you put something into or take something out of the box.

**Front Seat Back Pocket
(if equipped) (5)**



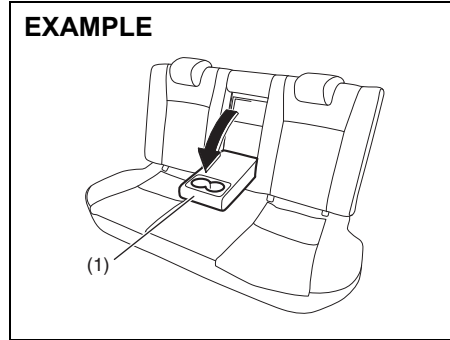
79MH0516

This pocket is provided for holding light and soft things such as gloves, newspapers or magazines.

⚠ CAUTION

Do not put hard or breakable objects in the pocket. If an accident occurs, objects such as bottles, cans, etc. can injure the occupants in the rear seat.

Rear Armrest with Cup Holders (7)



79MH0517

(1) Cup holders

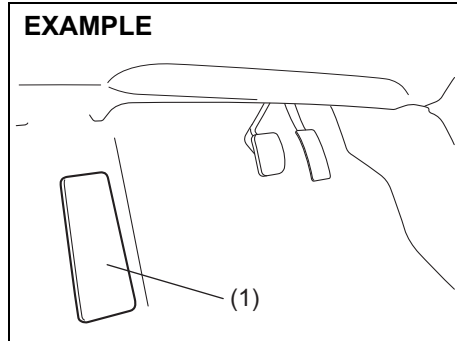
The rear armrest is stowed in the center of the seatback. Tilt it down forward to use.

⚠ WARNING

- If the seat belt is obstructed by any part of the armrest when fastened, it cannot provide the intended protection. After fastening the seat belt, always check that the armrest is not interfering with the belt.
- In an accident or sudden stop, the rear seat armrest could fall forward. If there is a child in a rear-facing child restraint in the rear center seating position, the falling armrest could injure the child. Do not install a rear-facing child restraint in the rear center seating position.

OTHER CONTROLS AND EQUIPMENT

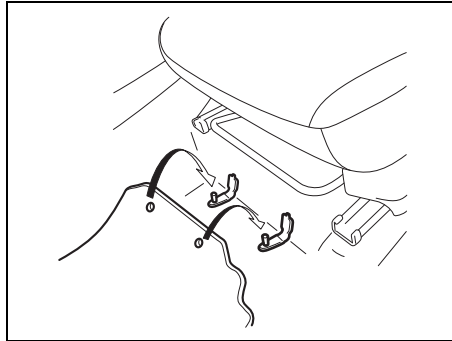
Footrest



79PS1A505

Use the footrest (1) as a support for your left foot.

Floor Mats (if equipped)



68LM554

To prevent the driver's side floor mat from sliding forward and possibly interfering with the operation of the pedals, genuine SUZUKI floor mats are recommended.

Whenever you put the driver's side floor mat back in the vehicle after it has been removed, be sure to hook the floor mat grommets to the fasteners and position the floor mat properly in the footwell.

When you replace the floor mats in your vehicle with a different type such as all-weather floor mats, we highly recommend using genuine SUZUKI floor mats for proper fitting.

▲ WARNING

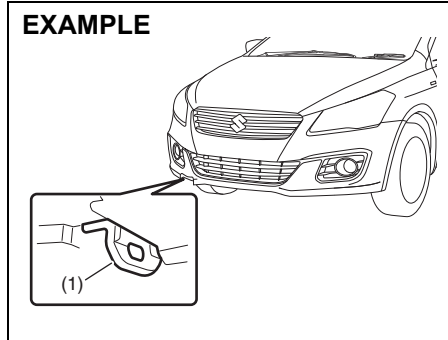
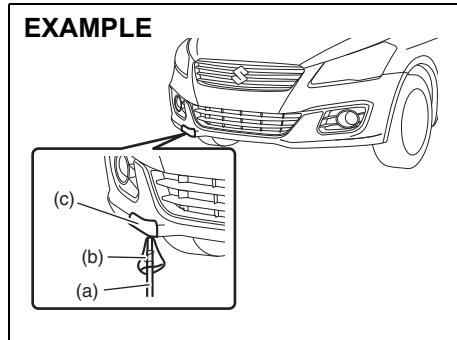
Failure to take the following precautions may result in the driver's side floor mat interfering with the pedals and causing a loss of vehicle control or an accident.

- Make sure that the floor mat grommets are hooked to the fasteners.
- Never place additional floor mats on top of the existing floor mat.

Frame Hooks

Front

- 1) Take out the necessary tools (jack handle) from the onboard tool set.
- 2) Use the end of the jack handle (a) wrapped with a cloth (b) to open the front tow hook cover (c).



The frame hook (1) is provided on the front of the vehicle for use in emergency situations and train shipping purposes only. To tow your vehicle on the road or highway, follow the instruction of “Towing” in “EMERGENCY SERVICE” section.

▲ WARNING

Do not use the frame hooks to tow another vehicle or to have your vehicle towed on the road or highway. The hook (1) is designed for use in emergency situations only, such as if your vehicle or another vehicle gets stuck in deep mud or snow.

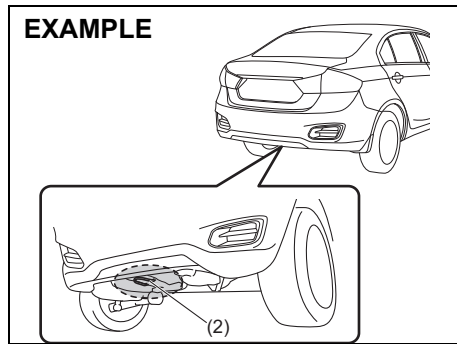
NOTICE

When you use the frame hook (1), avoid the driving that gives significant physical shock on hook. Such operation can damage the hook, or the vehicle body.

Do not accelerate suddenly.

OTHER CONTROLS AND EQUIPMENT

Rear



79MH0759

The frame hook (2) is provided on the rear of the vehicle for use in emergency situations and train/sea shipping purposes only. To tow your vehicle on the road or highway, follow the instruction of “Towing” in “EMERGENCY SERVICE” section.

▲ WARNING

Do not use the frame hooks to tow another vehicle or to have your vehicle towed on the road or highway. The hook (2) is designed for use in emergency situations only, such as if your vehicle or another vehicle gets stuck in deep mud or snow.

NOTICE

When you use the frame hook (2), avoid the driving that gives significant physical shock on hook. Such operation can damage the hook, the vehicle body or the drive system.

- **Do not accelerate suddenly.**
- **Do not tow the vehicle heavier than your vehicle.**

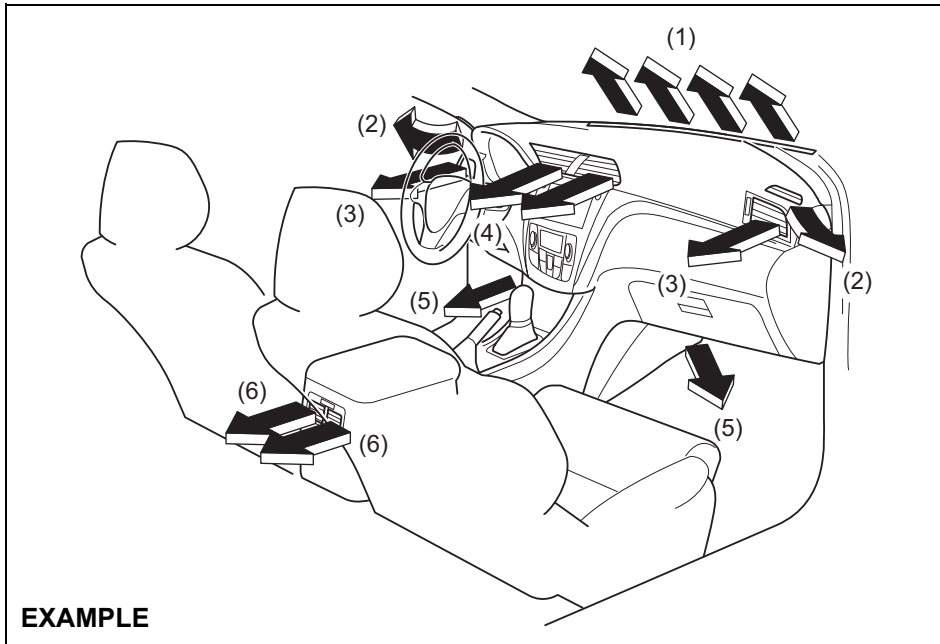
Heating (if equipped) and Air Conditioning System

There are three of heating and air conditioning systems as follows:

- Manual Air Conditioning System
- Manual Heating and Air Conditioning System
- Automatic Heating and Air Conditioning System (Climate Control)

Air Outlet

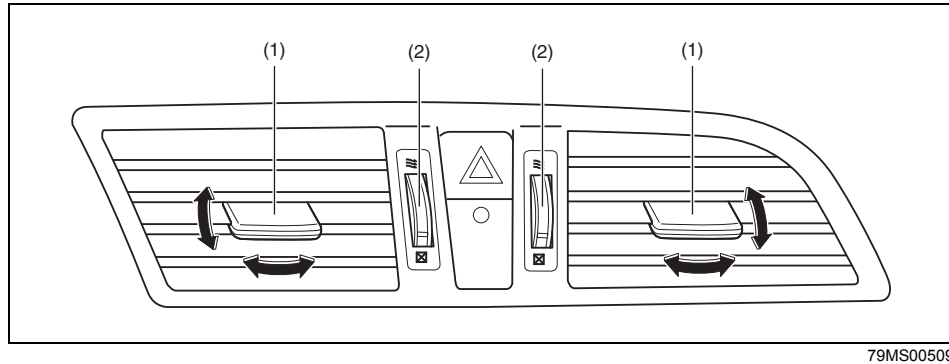
- (1) Windshield defroster outlet
- (2) Side defroster outlet
- (3) Side outlet
- (4) Center outlet
- (5) Floor outlet
- (6) Rear outlet (if equipped)



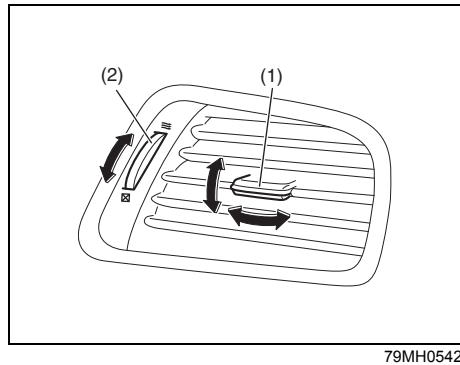
79PS1A506

OTHER CONTROLS AND EQUIPMENT

Center outlet

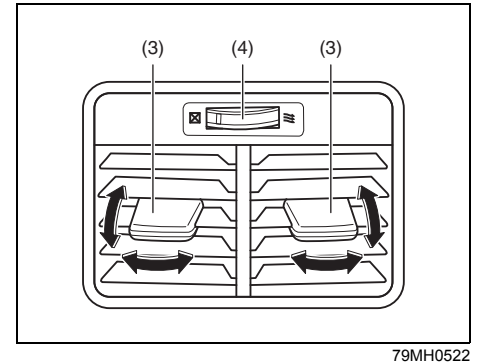


Side outlet



Move the knob (1) vertically or horizontally, to adjust the direction of airflow as desired. The center outlet/side outlet opens when you turn the dial (2) upward and closes when you turn it downward.

Rear outlet (if equipped)



Move the knob (3) vertically or horizontally to adjust the direction of airflow as desired. The rear outlet opens when you turn the dial (4) to the right and closes when you turn it to the left.

NOTE:

For more air flow from rear outlet, turning dials (2) downward to close the center outlet is effective.

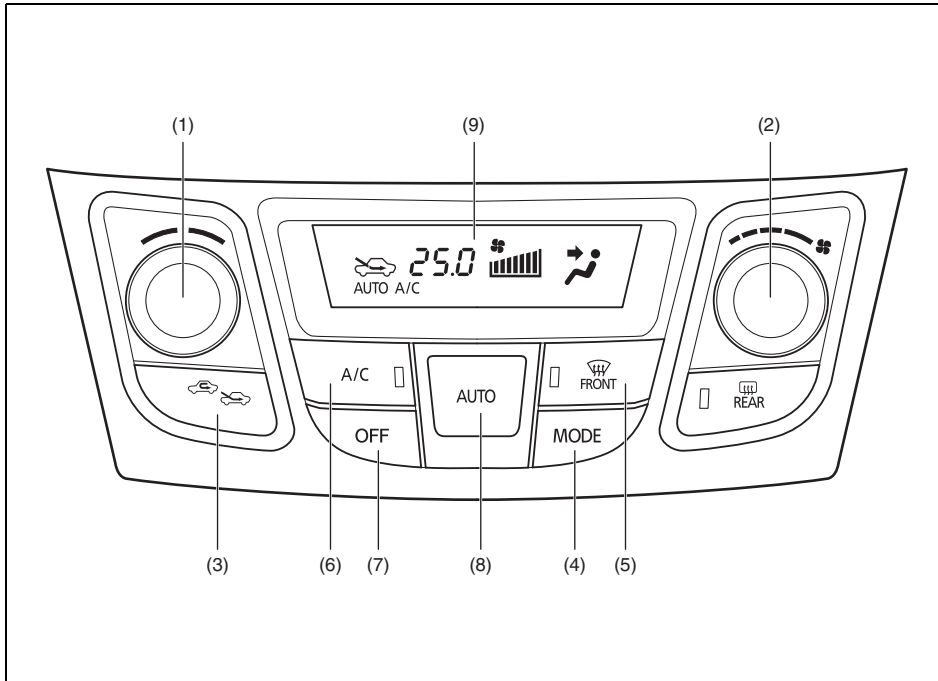
CAUTION

Prolonged exposure to hot air from the heater or air conditioner could result in low temperature burns. All vehicle occupants, particularly children, the elderly, those with special needs, individuals with delicate skin, and sleeping individuals, should maintain sufficient distance from the air outlets to prevent prolonged exposure to hot airflow.

Automatic Heating and Air Conditioning System (Climate Control)

Description of Controls

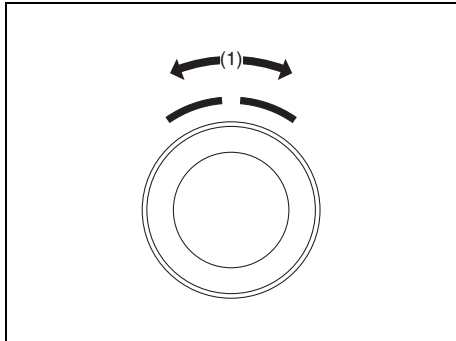
- (1) Temperature selector
- (2) Blower speed selector
- (3) Air intake selector
- (4) Air flow selector
- (5) Defrost switch
- (6) Air conditioning switch
- (7) "OFF" switch
- (8) "AUTO" switch
- (9) Display



79MH0529

OTHER CONTROLS AND EQUIPMENT

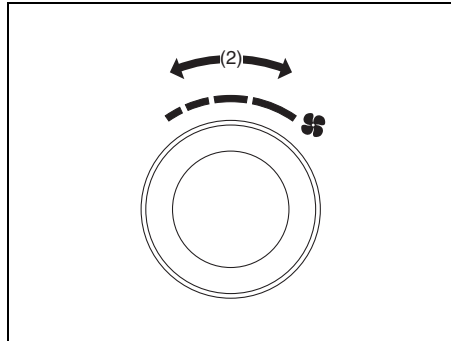
Temperature selector (1)



79MH0530

Turn the temperature selector (1) to adjust the temperature.

Blower speed selector (2)

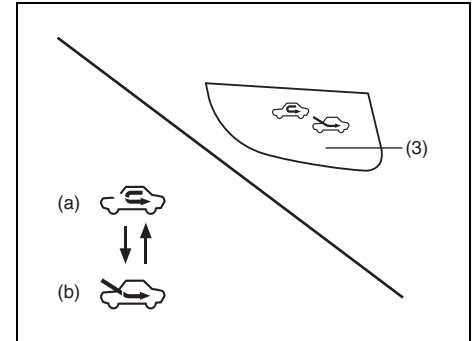


79MH0531

The blower speed selector (2) is used to turn on the blower and to select blower speed.

If the "AUTO" switch (8) is pushed, the blower speed will vary automatically as the climate control system maintains the selected temperature.

Air intake selector (3)



79MH0532

Push the air intake selector (3) to change between the following modes.

If the "AUTO" switch (8) is pushed, the air intake will vary automatically as the climate control system maintains the selected temperature.

NOTE:

When you select the recirculated air mode, the automatic operation system is deactivated if you push the "AUTO" switch (8).

RECIRCULATED AIR (a)

When this mode is selected, outside air is shut off and inside air is recirculated. This mode is suitable when driving through an area with polluted air such as a tunnel, or when attempting to quickly cool down the vehicle.

FRESH AIR (b)

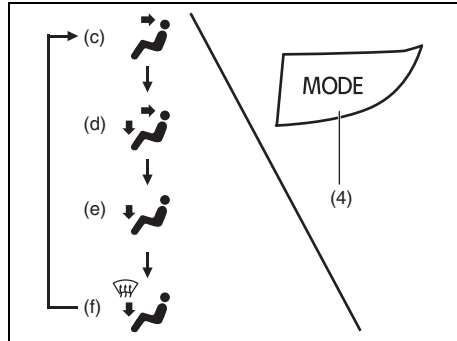
When this mode is selected, outside air is introduced.

“FRESH AIR” and “RECIRCULATED AIR” are selected alternately each time the air intake selector is pushed.

NOTE:

If you select “RECIRCULATED AIR” for an extended period of time, the air in the vehicle can become contaminated. Therefore, you should occasionally select “FRESH AIR”.

Air flow selector (4)

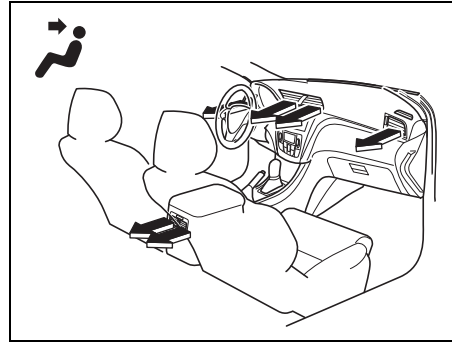


79MH0533

Push the air flow selector (4) to change among the following functions. The indication of the selected mode appears on the display.

If the “AUTO” switch (8) is pushed, the air flow will vary automatically as the climate control system maintains the selected temperature.

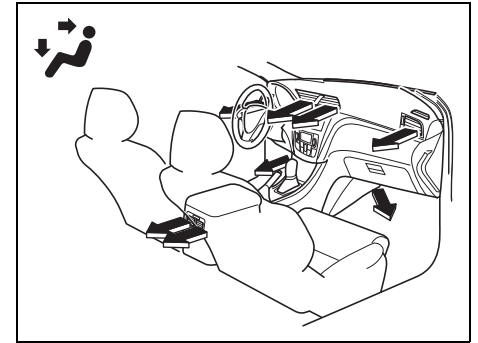
Ventilation (c)



79PS1A507

Temperature-controlled air comes out of the center, side and rear (if equipped) outlets.

Bi-level (d)

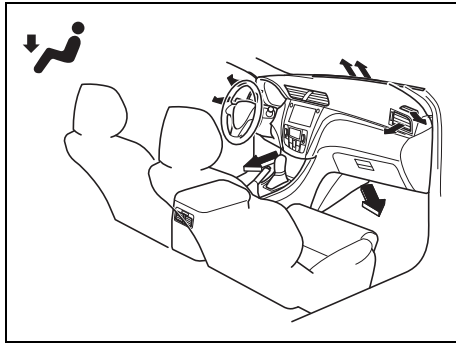


79PS1A508

Temperature-controlled air comes out of the floor outlets and cooler air comes out of the center, side and rear (if equipped) outlets. When the temperature selector (1) is in the fully COLD position or fully HOT position, however, the air from the floor outlets and the air from the center, side and rear (if equipped) outlets will be the same temperature.

OTHER CONTROLS AND EQUIPMENT

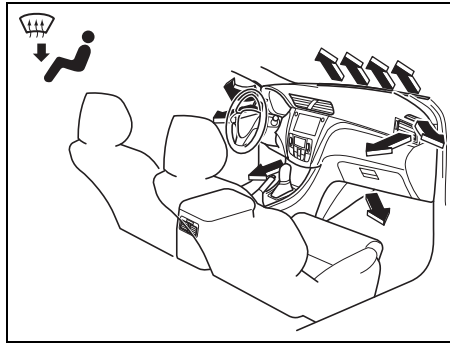
Heat (e)



79PS1A509

Temperature-controlled air comes out of the floor outlets and the side outlets, a small amount of air comes out of the windshield defroster outlets and also comes slightly out of the side defroster outlets.

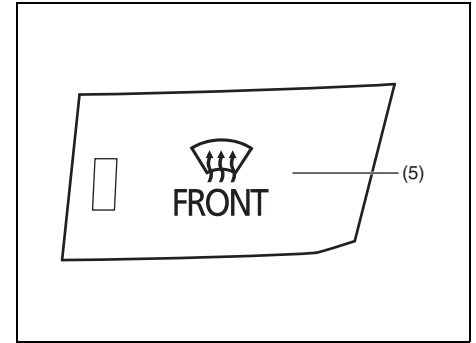
Heat & defrost (f)



79PS1A510

Temperature-controlled air comes out of the floor outlets, the windshield defroster outlets, the side defroster outlets and the side outlets.

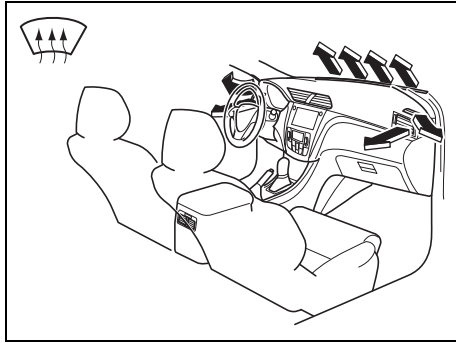
Defrost switch (5)



79MH0534

Push the defrost switch (5) to turn on the defroster.

Defrost



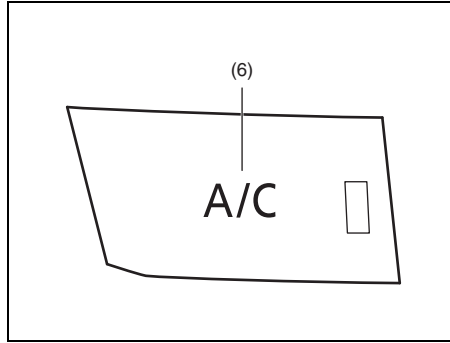
79PS1A511

Temperature-controlled air comes out of the windshield defroster outlets, the side defroster outlets and the side outlets.

NOTE:

When the defrost switch (5) is pushed to turn on the defroster, the air conditioning system will come on and the "FRESH AIR" mode will be selected automatically. In very cold weather, however, the air conditioning system will not turn on.

Air conditioning switch (6)

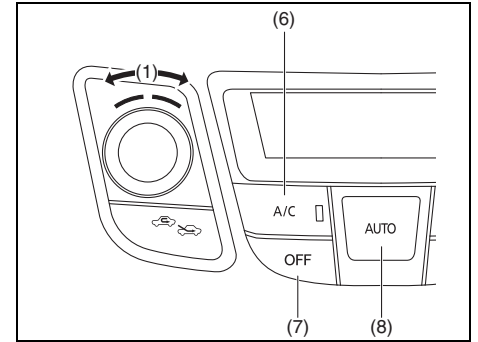


79MH0535

The air conditioning switch (6) is used to turn on and off the air conditioning system only when the blower is on. To turn on the air conditioning system, push in the switch and "A/C" will appear on the display. To turn off the air conditioning system, push in the switch again and "A/C" will go off.

System Operating Instructions

Automatic operation



79MH0536

You can let the climate control system work automatically. To set the system for fully-automatic operation, follow the procedure below.

- 1) Start the engine.
- 2) Push the "AUTO" switch (8).
- 3) Set the desired temperature by turning the temperature selector (1).

The blower speed, air intake and air flow are controlled automatically to maintain the set temperature. However, the air flow is not changed to the "Defrost" position automatically.

NOTE:

When you select the recirculated air mode, the automatic operation system is deactivated if you push the "AUTO" switch (8).

OTHER CONTROLS AND EQUIPMENT

You can use the air conditioning switch (6) to manually turn the air conditioner on or off according to your preference. When you turn the air conditioning switch off, the climate control system cannot lower the inside temperature below outside temperature.

To turn the climate control system off, push the "OFF" switch (7).

NOTE:

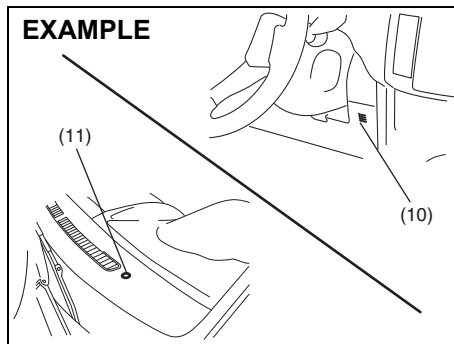
If the "AUTO" on the display blinks, there is a problem in the heating system and/or air conditioning system. You should have the system inspected by an authorized SUZUKI dealer.

NOTE:

- To find the temperature at which you are most comfortable, start with the 25°C (75°F) setting.
- If you turn the temperature selector (1) until "HI" or "LO" appears on the display, the climate control system will operate at maximum heating or cooling and the blower will run at full speed.
- To avoid blowing cold air in cold weather or hot air in hot weather, the system will delay turning on the blower until warmed or chilled air is available.
- If your vehicle has been left in the sun with the windows closed, it will cool faster if you open the windows briefly.
- Even under the automatic operation, you can set individual selectors to the man-

ual mode. The manually selected functions are maintained, and the other functions remain under automatic operation.

- If the windshield and/or the front door windows are fogged, push the defrost switch (5) to turn on the defroster, or push the air flow selector (4) to change the air flow to the "Heat & defrost" position to defog the windows.
- To return the blower speed selector (2), air intake selector (3), and air flow selector (4) to automatic operation, push the "AUTO" switch (8).

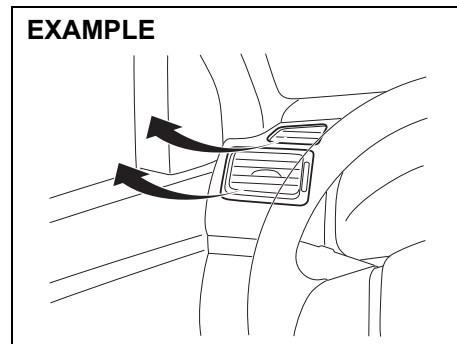


79MS00516

Be careful not to cover the interior temperature sensor (10) located between the steering wheel and the climate control panel, or the solar sensor (11) located at the top of the driver's side dashboard. These sensors are used by the automatic system to regulate temperature.

Manual operation

You can manually control the climate control system. Set the selectors to the desired positions.



EXAMPLE

79MS00515

NOTE:

If you need maximum defrosting:

- push the defrost switch (5) to turn on the defroster (the air conditioning system will come on and the "FRESH AIR" mode will be selected automatically),
- set the blower speed selector to HIGH,
- adjust the temperature selector to the "HI" indication on the display, and
- adjust the side outlets so the air blows on the side windows.

Maintenance

If you do not use the air conditioner for a long period, such as during winter, it may not give the best performance when you start using it again. To help maintain optimum performance and durability of your air conditioner, it needs to be run periodically. Operate the air conditioner at least once a month for one minute with the engine idling. This circulates the refrigerant and oil and helps protect the internal components.

Your air conditioner is equipped with air filters. Clean or replace them as specified in the "Maintenance Schedule" in the "INSPECTION AND MAINTENANCE" section. Have this job done by your SUZUKI dealer as the lower glove box must be lowered for this job.

NOTE:

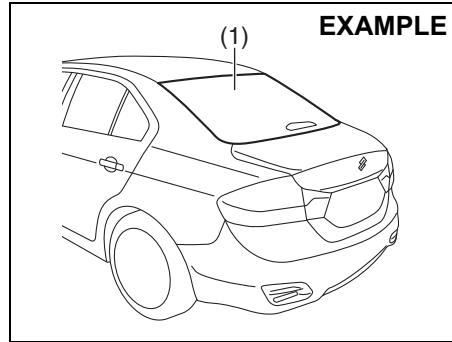
Your vehicle uses the air conditioning refrigerant HFC-134a, commonly called "R-134a". R-134a replaced R-12 around 1993 for automotive applications. Other refrigerants are available, including recycled R-12, but only R-134a should be used in your vehicle.

NOTICE

Using the wrong refrigerant may damage your air conditioning system. Use R-134a only. Do not mix or replace the R-134a with other refrigerants.

Radio Antenna

Printed antenna



79MH0545

The radio antenna (1) wire is printed inside the rear window.

NOTICE

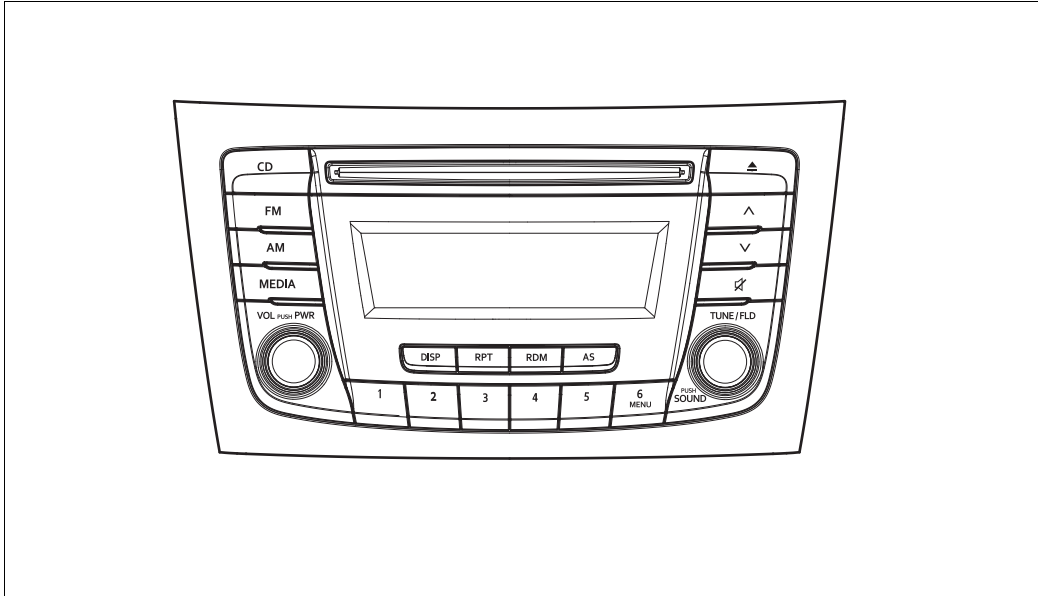
- **Do not attach any metal objects to the rear window glass, or place metallic film near it. Either of these conditions may cause poor reception or noise.**
- **When cleaning the inside of the rear window, be careful not to scratch or damage the rear window antenna. Wipe the rear window lightly along the antenna with a dampened soft cloth.**

Installation of Radio Frequency Transmitters

We recommend that you always ask a SUZUKI dealer about frequency band, max output power, antenna position at vehicle and specific conditions for installation and/or use before installing a radio transmitter in your vehicle. Such equipments may cause the electronic control system to malfunction if they are incorrectly installed or they are not suited for the vehicle.

OTHER CONTROLS AND EQUIPMENT

Audio System (Type A) (if equipped)



AM/FM CD PLAYER

Safety Information

WARNING

If you pay extended attention to operating the audio system or viewing the audio system display while driving, an accident can occur. If you set the sound volume too loud, it could prevent you from being aware of road and traffic conditions.

- Keep your eyes on the road and your mind on the drive. Avoid paying extended attention to operating the audio system or viewing the audio system display.
- Familiarize yourself with the audio system controls and operation of the audio system before driving.
- Preset your favorite radio stations before driving so that you can quickly tune to them using the presets.
- Set the sound volume to a level that will allow you to continue to be aware of road and traffic conditions while driving.

Notes on Discs

Precautions

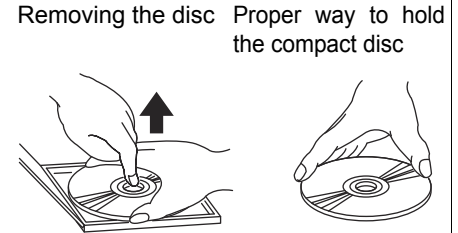
- When the inside of the vehicle is very cold and the player is used soon after switching on the heater, condensation may form on the disc or the optical parts of the player and proper playback may not be possible. If condensation forms on the disc, wipe it off with a soft cloth. If condensation forms on the optical parts of the player, do not use the player for about one hour. This will allow the condensation to disappear normally.
- Driving on extremely bumpy roads which cause severe vibrations may cause sound to skip.
- This unit uses a precision mechanism. Even in the event that trouble arises, never open the case, disassemble the unit, or lubricate the rotating parts. Please bring the unit to an authorized SUZUKI dealer.

Cautions on Handling



This unit has been designed specifically for playback of compact discs bearing mark (A) shown above.

No other discs can be played.

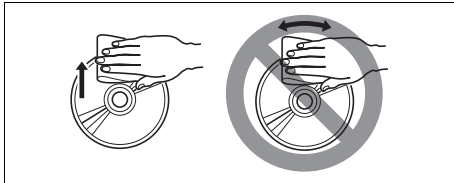


To remove the compact disc from its storage case, press down on the center of the case and lift the disc out, holding it carefully by the edges.

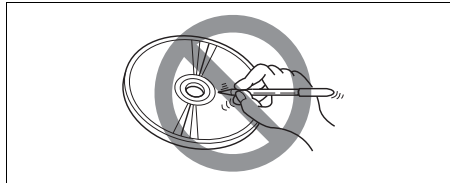
Always handle the compact disc by the edges.

Never touch the surface.

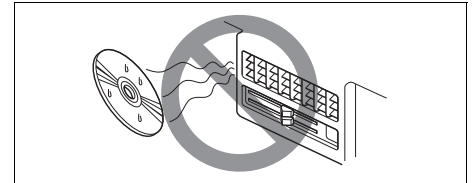
OTHER CONTROLS AND EQUIPMENT



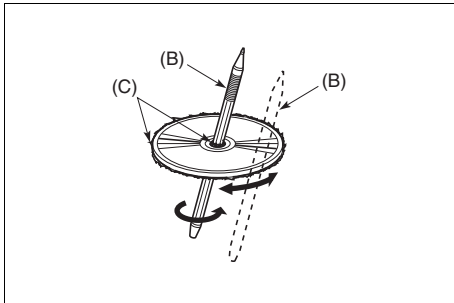
To remove fingermarks and dust, use a soft cloth, and wipe in a straight line from the center of the compact disc to the circumference.



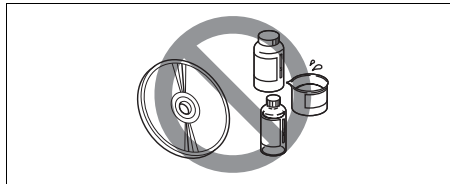
Never stick labels on the surface of the compact disc or write on the surface with a pencil or pen.



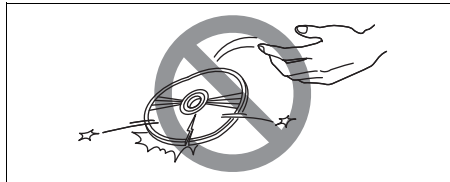
Do not expose compact discs to direct sunlight or any heat source.



New discs may have some roughness around the edges. The unit may not work or the sound may skip if such discs are used. Use a ball-point pen (B), etc. to remove the roughness (C) from the edges of the disc before inserting it into the unit.



Do not use any solvents such as commercially available cleaners, anti-static spray, or thinner to clean compact discs.



Do not use compact discs that have large scratches, are misshaped, or cracked, etc. Use of such discs will cause damage or prevent the system from operating properly.

NOTE:

- Do not use commercially available CD protection sheets or discs equipped with stabilizers, etc. These may get caught in the internal mechanism and damage the disc.
- It may be impossible to play CD-R discs with this unit due to the recording conditions.
- CD-RW discs cannot be played with this unit.

WARNING

This is a class I laser product. Use of controls or adjustments or performance of procedures other than those specified herein may result in hazardous radiation exposure. Do not open covers and do not attempt to repair this unit by yourself. Refer servicing to qualified personnel.



The Bluetooth® word mark and logo are registered trademarks and are owned by the Bluetooth SIG, Inc.

Stop using this unit and a Bluetooth® ready device whenever requested.

This unit shares the communication with other private or public wireless communication equipment such as a wireless LAN and other wireless communication radios. You should stop using this unit whenever you are notified that your unit disturbs other wireless communication immediately.



The latest “DECLARATION of CONFORMITY” (DoC) is available at the following address:

<http://www.ptc.panasonic.eu/>

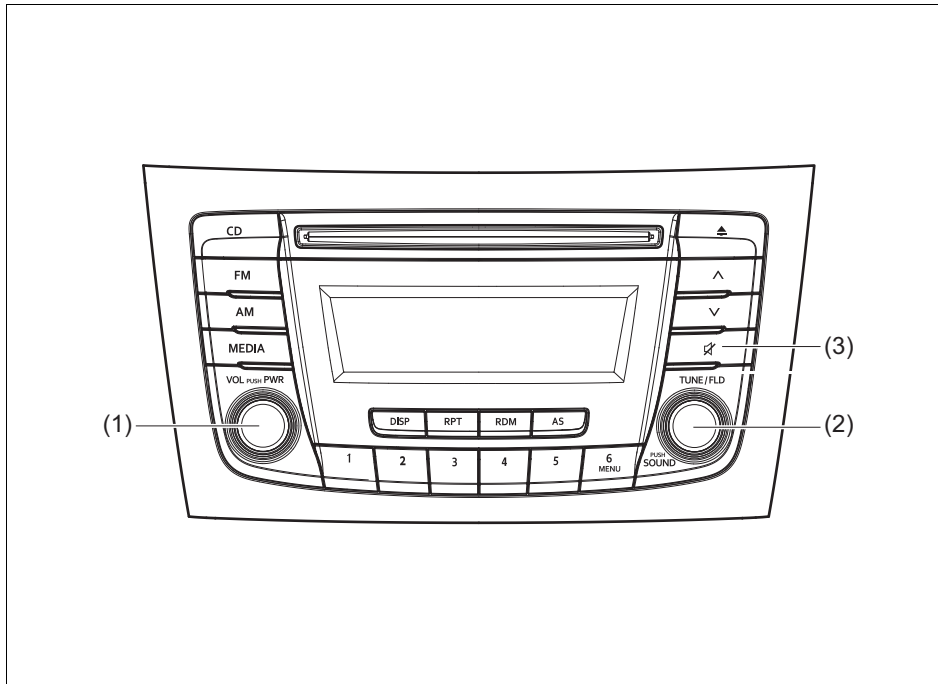
To check DoC, access the above mentioned URL.

And then search DoC by entering the following Model No. into “Keyword Search” box in “Downloads” page.

Model No. YEP0PTA606A0

OTHER CONTROLS AND EQUIPMENT

Basic Operations



- (1) VOL PUSH POWER knob
- (2) TUNE FOLDER PUSH SOUND knob
- (3) MUTE button

Turning power on/off

Press the VOL PUSH POWER knob (1). The unit starts in the function mode it was in when the power was turned off last.

Adjusting the volume

Turn the VOL PUSH POWER knob (1). Turning it clockwise increases the volume; turning it counterclockwise decreases the volume.

NOTE:

While driving, adjust the volume to an extent that sound and/or noise coming from outside the vehicle can be heard.

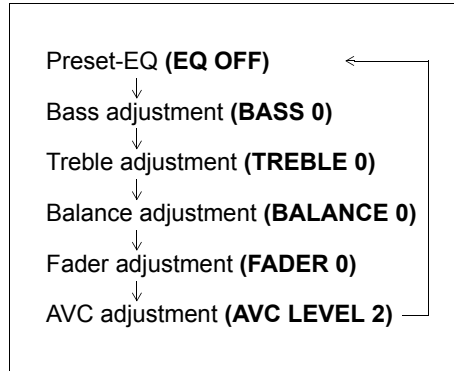
Mute

Press the MUTE button (3) to mute the sound. To cancel the mute, press the MUTE button (3) again.

Adjusting bass/treble/balance/fader

- 1) Press the TUNE FOLDER PUSH SOUND knob (2).

Each time the knob is pressed, sound adjustment will change as follows:



- 2) Turn the TUNE FOLDER PUSH SOUND knob (2) to adjust the sound.

Adjusting the AVC (Auto volume control)

The Auto Volume Control (AVC) function automatically adjusts (increases/decreases) the sound volume in accordance with vehicle speed. The AVC control is provided with three selectable levels (LEVEL OFF, 1, 2, 3). The range of volume adjustment increases together with the LEVEL number.

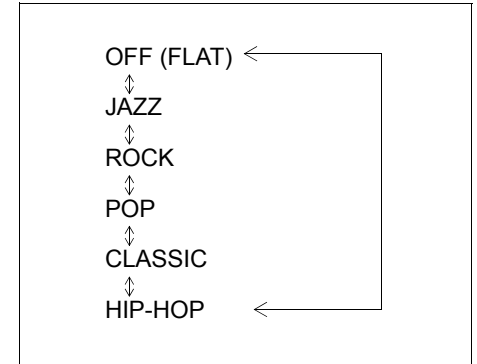
- 1) Press the TUNE FOLDER PUSH SOUND knob (2) until the AVC adjustment mode is selected.
- 2) Turn the TUNE FOLDER PUSH SOUND knob (2) to select the desired AVC adjustment level. (Initial setting: LEVEL 2)

Preset-EQ

Preset-EQ calls up various sound types in accordance with the listening music type.

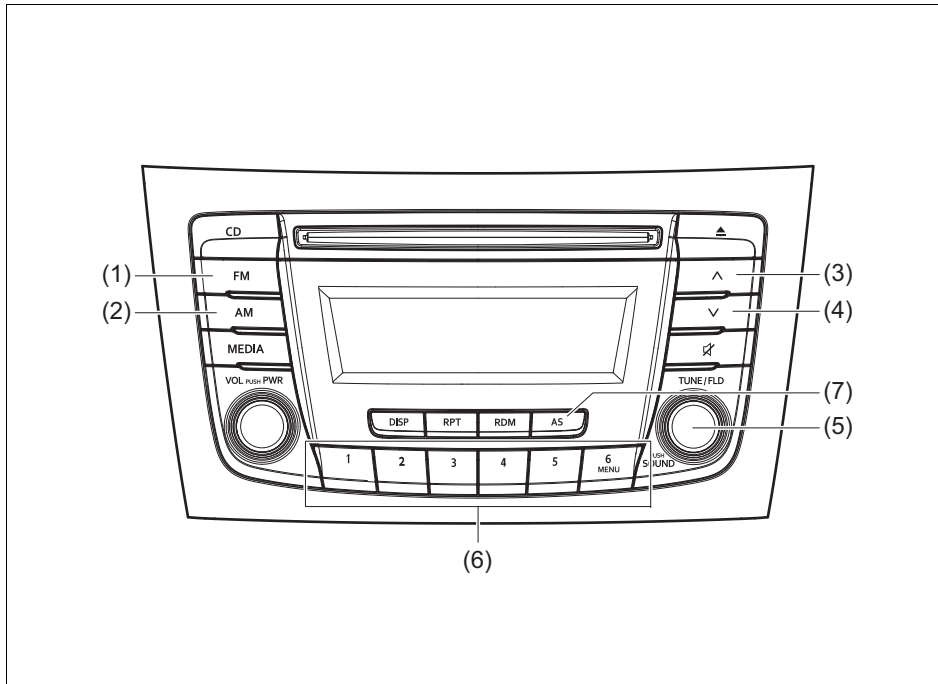
- 1) Press the TUNE FOLDER PUSH SOUND knob (2) several times until "PRESET-EQ" appears.
- 2) Turn the TUNE FOLDER PUSH SOUND knob (2).

Each time the knob is turned, preset EQ mode will change as follows:

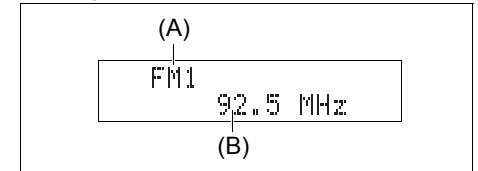


OTHER CONTROLS AND EQUIPMENT

Listening to the Radio



Display



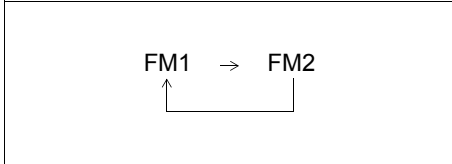
- (1) FM button
- (2) AM button
- (3) Up button
- (4) Down button
- (5) TUNE FOLDER PUSH SOUND knob
- (6) Preset buttons ([1] to [6])
- (7) AS button

- (A) Band
- (B) Frequency

Selecting the FM band

Press the FM button (1).

Each time the button is pressed, the reception band will change as follows:



Selecting the AM band

Press the AM button (2).

Seek tuning

Press the seek Up button (3) or the seek Down button (4).

The unit stops searching for a station at a frequency where a broadcast station is available.

Manual tuning

Turn the TUNE FOLDER PUSH SOUND knob (5).

The frequency being received is displayed.

Preset memory

- 1) Select the desired station.
- 2) Hold down a desired button ([1] to [6]) of the Preset buttons (6) to which you want to store the station for 2 seconds or longer.

Auto store

Hold down the AS button (7) for 2 seconds or longer.

Six stations in good reception will automatically be stored to the Preset buttons (6) in order, starting from a station whose frequency is the lowest.

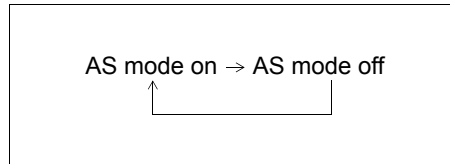
NOTE:

- *Auto store can be released by pressing AS button (7) while auto store is under way.*
- *When the auto store is performed, the station previously stored in the memory at the position is overwritten.*
- *When there are fewer than 6 stations that can be stored even if 1 round of auto store operation is performed, no station will be stored at the remaining Preset buttons (6).*
- *6 stations can be preset for FM1 and FM2 in common, and 6 stations for AM in auto store mode.*

Auto store mode on/off

Press the AS button (7).

Each time the button is pressed, the mode is switched as follows:

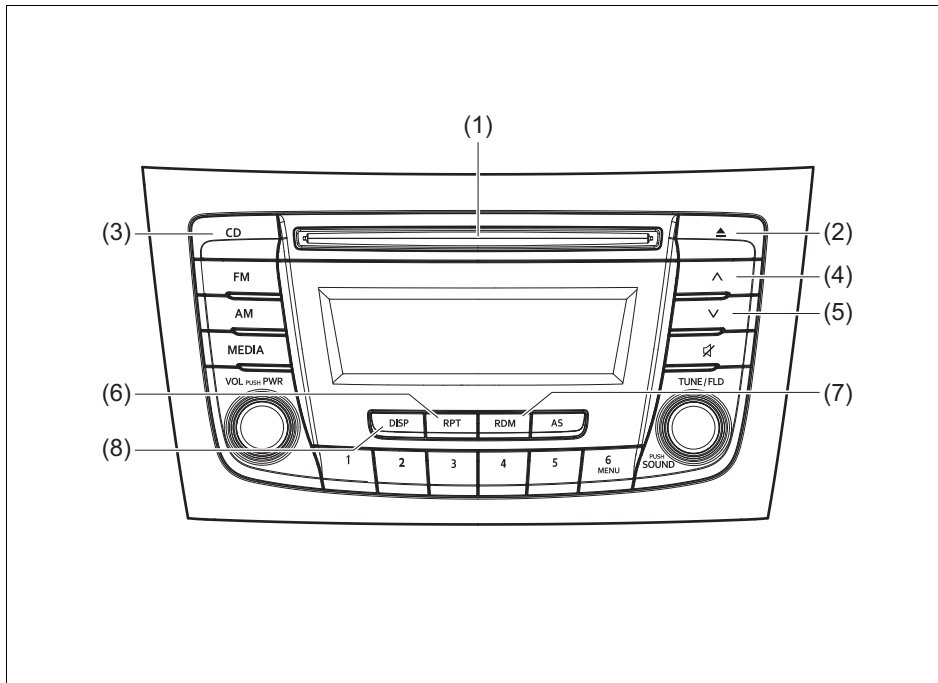


Radio Reception

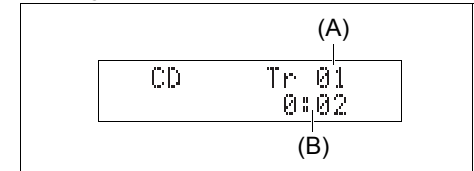
Radio reception can be affected by environment, atmospheric conditions, or radio signal's power and distance from the station. Nearby mountains and buildings may interfere or deflect radio reception, causing poor reception. Poor reception or radio static can also be caused by electric current from overhead wires or high voltage power lines.

OTHER CONTROLS AND EQUIPMENT

Listening to a CD



Display



- (1) Insertion slot
- (2) Eject button
- (3) CD button
- (4) Up button
- (5) Down button
- (6) RPT button
- (7) RDM button
- (8) DISP button

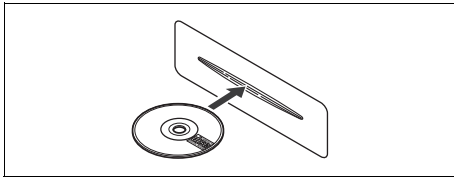
- (A) Track number
- (B) Play time

NOTE:

This product does not support 8 cm CD (sometimes called as "mini single CD", "3-inch CD", "CD3", etc.).



- CDs or CD-ROMs carrying no mark (A) cannot be used.
- Some discs recorded in CD-R/CD-RW format may sometimes be impossible to use.



- A CD is to be inserted with its label side up.
- When there is a CD already in the unit, it is impossible to insert another CD without ejecting the CD in the unit. Do not use force to insert a CD into the CD insertion slot.

NOTICE

- Never insert your finger or hand into the CD insertion slot. Never insert foreign objects.
- Never insert a CD with glue coming out from adhesive tape or a rental CD label or with a trace indicating that adhesive tape or a rental CD label has been removed. This may cause the CD not to eject or result in a malfunction.

Loading a CD

Insert a CD in the Insertion slot (1).
When a CD is loaded, play starts.

Ejecting a CD

Press the Eject button (2).
When the ignition mode is "LOCK" (OFF), the CD remained ejected for around 15 seconds or longer will automatically be drawn inside the unit. (Auto reload function)

The backup eject function:
This function allows you to eject a CD by pressing the Eject button (2) even when the ignition mode is "LOCK" (OFF).

NOTICE

If you forcefully try to push an ejected CD inside the unit before auto reloading, the disc surface might be scratched.

When reloading a CD, remove it from the unit completely before reloading.

Listening to a CD

When a CD is inserted, playback will automatically start.
When a CD is already inside the unit, press the CD button (3) to start playback.

Selecting a track

- Press the Up button (4) to listen to the next track.
- Press the Down button (5) twice to listen to the previous track.
When the Down button (5) is pressed once, the track currently being played will start from the beginning again.

Fast forwarding/Rewinding a track

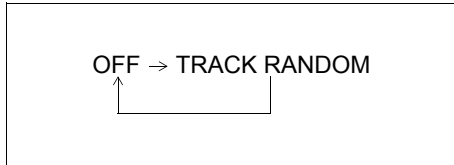
- Hold down the Up button (4) to fast forward the track.
- Hold down the Down button (5) to fast rewind the track.

OTHER CONTROLS AND EQUIPMENT

Random playback

Press the RDM button (7).

Each time the button is pressed, the mode will change as follows:



- **TRACK RANDOM**

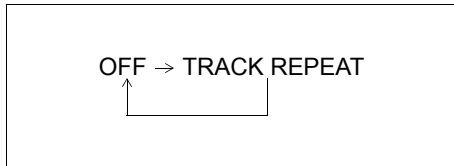
The random indicator "RDM" will light.

The tracks in the loaded disc will be played in random order.

Repeat playback

Press the RPT button (6).

Each time the button is pressed, the mode will change as follows:



- **TRACK REPEAT**

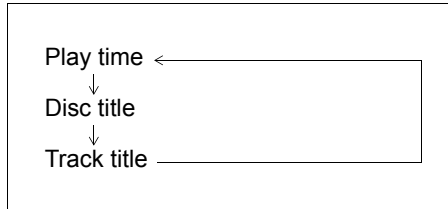
The repeat indicator "RPT" will light.

The track currently being played will be played repeatedly.

Display change

Press the DISP button (8).

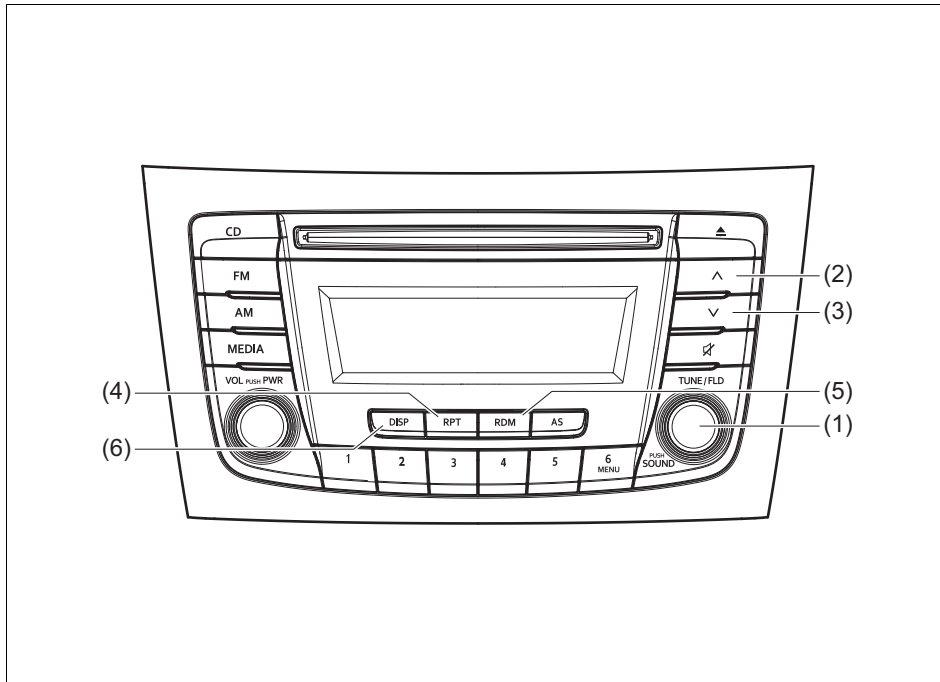
Each time the button is pressed, display will change as follows:



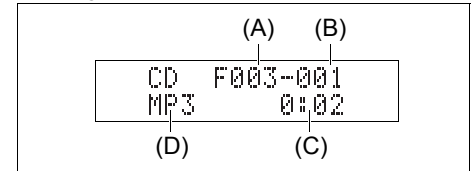
NOTE:

- *"NO TITLE" will be displayed when there is no text information in the disc currently being played.*
- *If text data contains more than 16 characters, the ">" mark will appear at the right end. Holding down the DISP button (8) for 1 second or longer can display the next page.*

Listening to an MP3/WMA/AAC Disc



Display



- (1) TUNE FOLDER PUSH SOUND knob
- (2) Up button
- (3) Down button
- (4) RPT button
- (5) RDM button
- (6) DISP button

- (A) Folder number
- (B) Track number
- (C) Play time
- (D) DISC type

OTHER CONTROLS AND EQUIPMENT

Selecting a folder

Turn the TUNE FOLDER PUSH SOUND knob (1) to select a folder.

Selecting a track

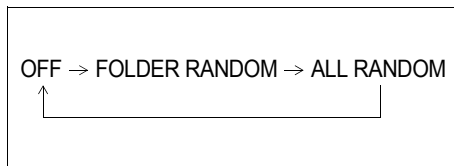
- Press the Up button (2) to listen to the next track.
- Press the Down button (3) twice to listen to the previous track.
When the Down button (3) is pressed once, the track currently being played will start from the beginning again.

Fast forwarding/Rewinding a track

- Hold down the Up button (2) to fast forward the track.
- Hold down the Down button (3) to fast rewind the track.

Random playback

Press the RDM button (5).
Each time the button is pressed, the mode will change as follows:



- FOLDER RANDOM
The random indicator “F.RDM” will light.
The tracks in the current folder will be played in random order.
- ALL RANDOM
The random indicator “RDM” will light.
The tracks in the loaded disc will be played in random order.

Repeat playback

Press the RPT button (4).
Each time the button is pressed, the mode will change as follows:

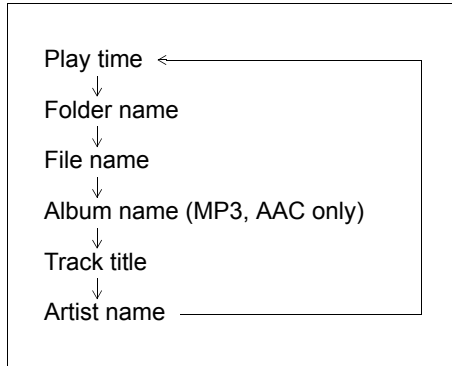


- FILE REPEAT
The repeat indicator “RPT” will light.
The track currently being played will be played repeatedly.
- FOLDER REPEAT
The repeat indicator “F.RPT” will light.
All tracks in the currently selected folder will be played repeatedly.

Display change

Press the DISP button (6).

Each time the button is pressed, display will change as follows:



NOTE:

- “NO TITLE” will be displayed when there is no text information in the disc currently being played.
- If text data contains more than 16 characters, the “>” mark will appear at the right end. Holding down the DISP button (6) for 1 second or longer can display the next page.

Notes on MP3/WMA/AAC

What is MP3?

- MP3 (MPEG audio layer3) is an audio compression format that has become the standard format among PC users. Its merit is that the original audio data is compressed to approximately 1/10 and high sound quality is maintained. This means that it is possible to store the data of approximately 10 music CDs on a single CD-R/RW disc, which in turn makes it possible to play music for a long time without having to change the disc.

What is WMA?

- An abbreviation of “Windows Media Audio,” WMA is an audio compression format developed by Microsoft.
- WMA files for which the DRM (Digital Rights Management) function is ON cannot be played.
- Windows Media™ and the Windows® logo are trademarks or registered trademarks of Microsoft Corporation in the United States and other countries.

What is AAC?

- An abbreviation of “Advanced Audio Coding,” AAC is an audio compression format used by MPEG2 and MPEG4.

Points to remember when making MP3/WMA/AAC files

Common

- High bit rate and high sampling frequency are recommended for high quality sounds.
- Selecting VBR (Variable Bit Rate) is not recommended. Selecting VBR may cause display of incorrect playing time and jumpiness of playback.
- Playback sound quality varies depending on the encoding environment. For details, refer to the user manual of the encoding software and the writing software in use.

NOTICE

Never assign the “.mp3”, “.wma”, or “.m4a” file name extension to a file if it is not in the MP3/WMA/AAC format file. Failure to observe this may result in damage to the speaker due to noise production.

Recording MP3/WMA/AAC files on a CD media

- It is recommended not to write both CD-DA files and MP3/WMA/AAC files on a disc.
- If both CD-DA files and MP3/WMA/AAC files are on the same disc, tracks may not be played in the correct order or some tracks may not be played at all.

OTHER CONTROLS AND EQUIPMENT

- When storing both MP3 data and WMA data on the same disc, sort and place them in different folders.
 - Do not write files other than MP3/WMA/AAC files and unnecessary folders on a disc.
 - MP3/WMA/AAC files should be named to meet the standards and the file system specifications as shown below.
 - The file extension “.mp3”, “.wma” or “.m4a” should be assigned to files based on their format independently.
 - You may encounter a trouble in playing MP3/WMA/AAC files or displaying information of MP3/WMA/AAC files depending on the writing software or CD recorder in use.
 - This unit does not have a play list function.
 - It is recommended to write discs in Disc-at-Once mode even though Multi-session mode is supported.
- WMA (Ver. 7, Ver. 8, Ver. 9*)
- Bit rate: CBR 32 k - 320 kbps
 - Sampling frequency: 32 k/44.1 k/48 kHz
 - * WMA 9 Professional/LossLess/Voice are not supported.
- AAC*
- Bit rate: ABR 16 k - 320 kbps
 - Sampling frequency: 32 k/44.1 k/48 kHz
 - * Apple Lossless is not supported.

Supported file systems

ISO 9660 Level 1/Level 2, Joliet, Romeo

Maximum number of files/folders

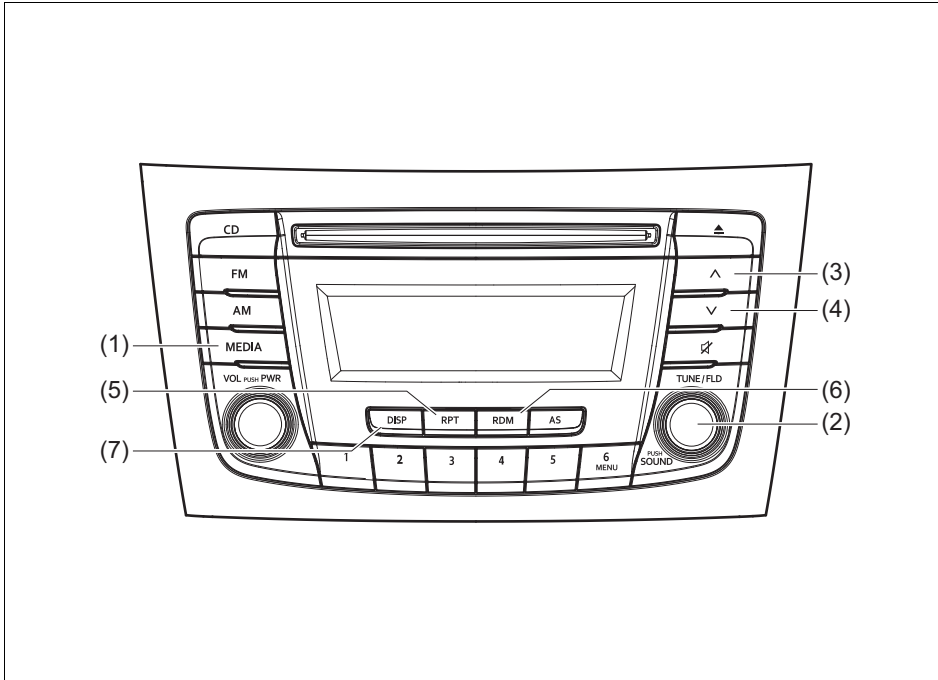
- Maximum number of files: 512
- Maximum number of files in a folder: 255
- Maximum depth of tree structure: 8
- Maximum number of folders: 255
(Root folder is included.)

Compression formats

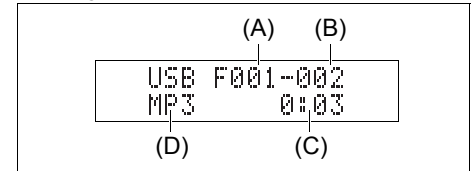
MP3

- Bit rate:
 - MPEG1 Audio Layer III: 32 k - 320 kbps
 - MPEG2 Audio Layer III: 8 k - 160 kbps
 - MPEG2.5 Audio Layer III: 8 k - 160 kbps
- Sampling frequency:
 - MPEG1 Audio Layer III: 32 k/44.1 k/48 kHz
 - MPEG2 Audio Layer III: 16 k/22.05 k/24 kHz
 - MPEG2.5 Audio Layer III: 8 k/11.025 k/12 kHz

Listening to files stored in a USB device



Display



- (1) MEDIA button
- (2) TUNE FOLDER PUSH SOUND knob
- (3) Up button
- (4) Down button
- (5) RPT button
- (6) RDM button
- (7) DISP button

- (A) Folder number
- (B) Track number
- (C) Play time
- (D) File type

NOTICE

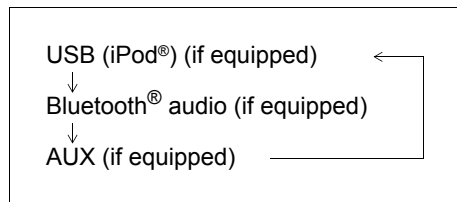
Do not connect any USB device other than a USB memory or a USB audio player. Do not connect multiple USB devices to the USB connector using a USB hub, etc. Supplying power to multiple USB devices from the connector could cause overheating and smoking.

OTHER CONTROLS AND EQUIPMENT

Selecting a USB device mode

Press the MEDIA button (1).

Each time the button is pressed, the mode will change as follows:



Selecting a folder

Turn the TUNE FOLDER PUSH SOUND knob (2) to select the desired folder.

Selecting a track

- Press the Up button (3) to listen to the next track.
- Press the Down button (4) twice to listen to the previous track.
When the Down button (4) is pressed once, the track currently being played will start from the beginning again.

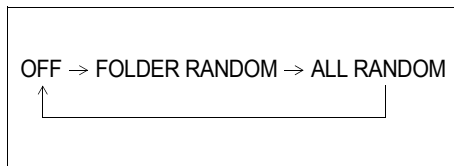
Fast forwarding/Rewinding a track

- Hold down the Up button (3) to fast forward the track.
- Hold down the Down button (4) to fast rewind the track.

Random playback

Press the RDM button (6).

Each time the button is pressed, the mode will change as follows:



- **FOLDER RANDOM**

The random indicator “F.RDM” will light. The tracks in the currently selected folder will be played in random order.

- **ALL RANDOM**

The random indicator “RDM” will light. The tracks in the connected USB device will be played in random order.

Repeat playback

Press the RPT button (5).

Each time the button is pressed, the mode will change as follows:



- **FILE REPEAT**

The repeat indicator “RPT” will light. The track currently being played will be played repeatedly.

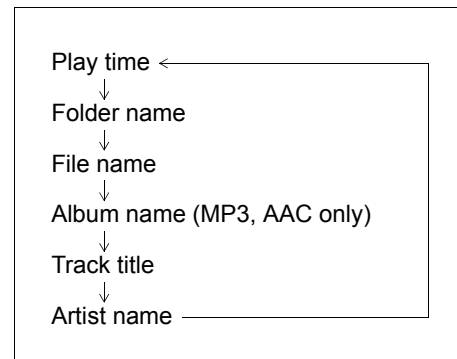
- **FOLDER REPEAT**

The repeat indicator “F.RPT” will light. All the tracks in the folder currently selected will be played repeatedly.

Display change

Press the DISP button (7).

Each time the button is pressed, display will change as follows:



NOTE:

- “NO TITLE” will be displayed when there is no text information in the disc currently being played.
- If text data contains more than 16 characters, the “>” mark will appear at the right end. Holding down the DISP button (7) for 1 second or longer can display the next page.

Notes on USB device

Compatible USB devices

- USB Mass Storage Class
For details as to whether your USB memory/USB Audio is compatible with USB Mass Storage Class, please contact the USB memory/USB Audio manufacturer.
- USB Standard Compatibility 1.1/2.0 Full Speed
- File System FAT12/16/32, VFAT
- Maximum current less than 1.0 A
- If devices such as USB hub, extension cable are connected to the audio system, it may not be recognized. In such case connect the USB device directly to the audio system.
- Devices such as MP3 player/Mobile phone/digital camera may not be recognized by the audio system for playing music.

USB device connection

- When connecting a USB device, make sure that the connector is pushed all the way into the port.
- Do not leave the USB device for long periods of time in places inside the vehicle where the temperature can rise too high.
- Back up any important data beforehand. We cannot accept responsibility for any lost data.

- It is recommended not to connect a USB device that contains data files other than MP3/WMA/AAC format.

Recording MP3/WMA/AAC files on a USB device

- Playback or display may not be possible depending on the type of USB device in use or the condition of the recording.
- Depending on the connected USB memory, the files may be played in different order from the order that the files were stored.

Compression formats

MP3

- Bit rate:
MPEG1 Audio Layer III: 32 k - 320 kbps
MPEG2 Audio Layer III: 8 k - 160 kbps
MPEG2.5 Audio Layer III: 8 k - 160 kbps
- Sampling frequency:
MPEG1 Audio Layer III: 32 k/44.1 k/48 kHz
MPEG2 Audio Layer III: 16 k/22.05 k/24 kHz
MPEG2.5 Audio Layer III: 8 k/11.025 k/12 kHz

WMA (Ver. 7, Ver. 8, Ver. 9*)

- Bit rate: CBR 32 k - 320 kbps
- Sampling frequency: 32 k/44.1 k/48 kHz
- * WMA 9 Professional/LossLess/Voice are not supported.

AAC*

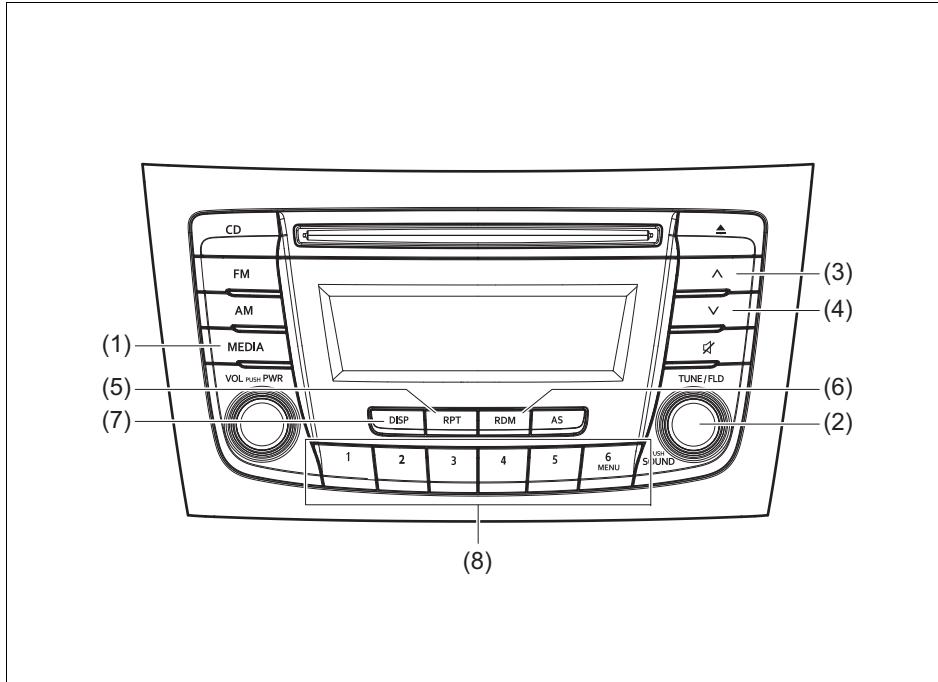
- Bit rate: ABR 16 k - 320 kbps
- Sampling frequency: 32 k/44.1 k/48 kHz
- * Apple Lossless is not supported.

Maximum number of files/folders

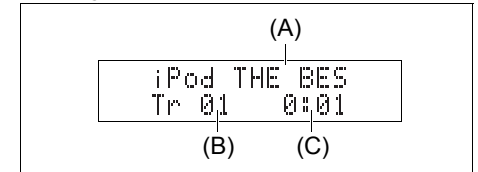
- Maximum number of files: 2500
- Maximum number of files in a folder: 255
- Maximum depth of tree structure: 8
- Maximum number of folders: 255
(Root folder is included.)

OTHER CONTROLS AND EQUIPMENT

Listening to an iPod®



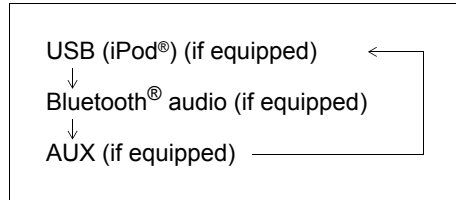
Display



- (1) MEDIA button
 - (2) TUNE FOLDER PUSH SOUND knob
 - (3) Up button
 - (4) Down button
 - (5) RPT button
 - (6) RDM button
 - (7) DISP button
 - (8) Preset buttons ([1] to [6])
-
- (A) Track title
 - (B) Track number
 - (C) Play time

Selecting an iPod® mode

Press the MEDIA button (1).
Each time the button is pressed, the mode will change as follows:



Selecting a track

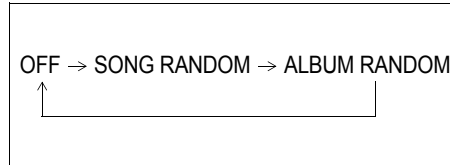
- Press the Up button (3) to listen to the next track.
- Press the Down button (4) twice to listen to the previous track.
When the Down button (4) is pressed once, the track currently being played will start from the beginning again.

Fast forwarding/Rewinding a track

- Hold down the Up button (3) to fast forward the track.
- Hold down the Down button (4) to fast rewind the track.

Random playback

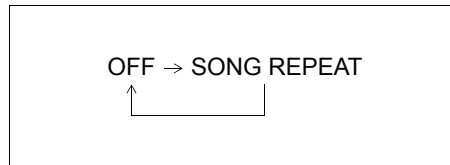
Press the RDM button (6).
Each time the button is pressed, the mode will change as follows:



- **SONG RANDOM**
The random indicator “RDM” will light.
The tracks in the iPod® will be played in random order.
- **ALBUM RANDOM**
The random indicator “FRDM” will light.
The albums in the iPod® will be played in random order.

Repeat playback

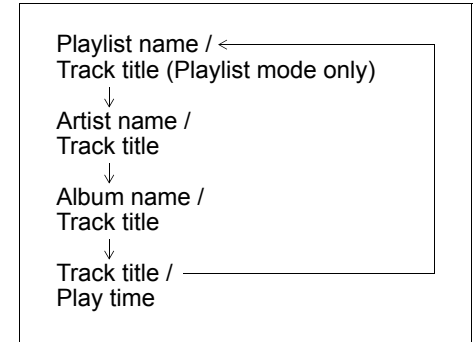
Press the RPT button (5).
Each time the button is pressed, the mode will change as follows:



- **SONG REPEAT**
The repeat indicator “RPT” will light.
The track currently being played will be played repeatedly.

Display change

Press the DISP button (7).
Each time the button is pressed, display will change as follows:



NOTE:

If text data contains more than 16 characters, the “>” mark will appear at the right end. Holding down the DISP button (7) for 1 second or longer can display the next page.

OTHER CONTROLS AND EQUIPMENT

Playing Mode selection

- 1) Press the button numbered [6] of the Preset buttons (8) for 1 second or longer.
- 2) Turn the TUNE FOLDER PUSH SOUND knob (2). Each time the knob is turned, the mode will change as follows:



- 3) Press the TUNE FOLDER PUSH SOUND knob (2) to select the desired mode.

NOTE:

- When the button numbered [6] of the Preset buttons (8) is pressed, the previous mode will be displayed.

Notes on iPod®

Supported iPod®

- iPod® touch (5th generation)
- iPod® touch (4th generation)
- iPod® touch (3rd generation)
- iPod® touch (2nd generation)
- iPod® touch (1st generation)
- iPod® classic
- iPod® nano (7th generation)
- iPod® nano (6th generation)
- iPod® nano (5th generation)
- iPod® nano (4th generation)
- iPod® nano (3rd generation)
- iPod® nano (2nd generation)
- iPod® nano (1st generation)
- iPod® (5th generation)
- iPhone® 5
- iPhone® 4S
- iPhone® 4
- iPhone® 3GS
- iPhone® 3G
- iPhone®

* Some functions may not be available depending on the model of iPod®.

* iPod® is a trademark of Apple Inc., registered in the U.S. and other countries.

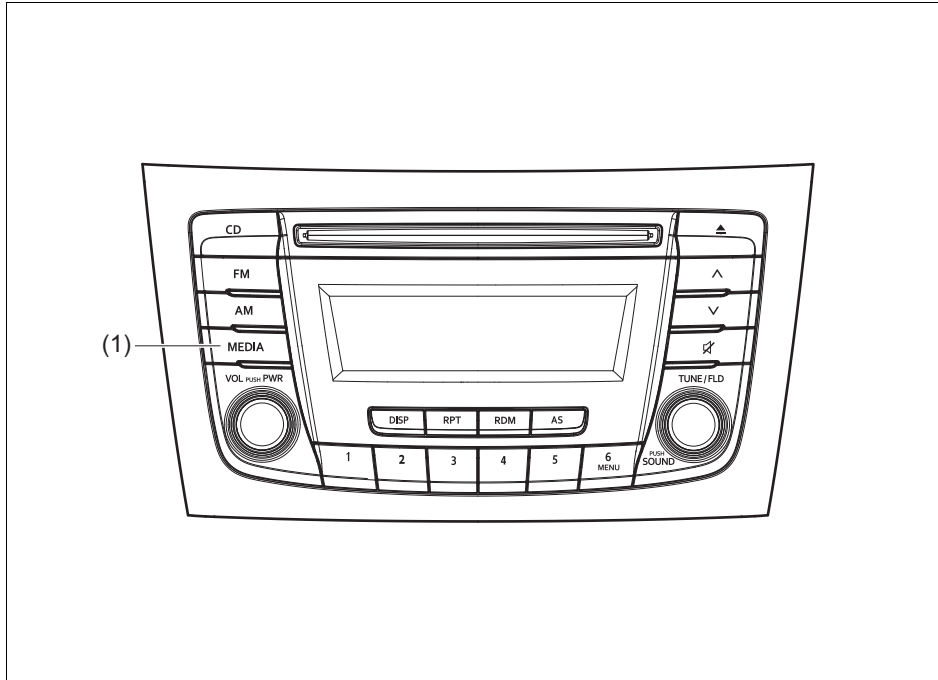
* iPhone® is a trademark of Apple Inc., registered in the U.S. and other countries.

* Apple is not responsible for the operation of this device or its compliance with safety and regulatory standards.

iPod® connection

- Make sure to detach the iPod® after pressing the engine switch to change the ignition mode to “LOCK” (OFF). The iPod® may not be shut down when it is being connected and may result in battery depletion.
- Please do not connect iPod® accessories such as an iPod® remote control or headphones while connecting the iPod® with the unit. The unit may not operate correctly.

AUX Function

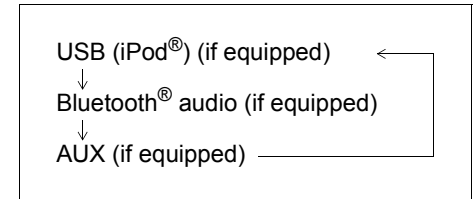


(1) MEDIA button

AUX connection

To listen to auxiliary audio sources (sold separately) through the unit, follow the instruction below.

- 1) Connect the auxiliary audio source to the AUX/USB socket (separately attached) with an AUX cable.
- 2) Press the MEDIA button (1).
Each time the button is pressed, the mode will change as follows:



⚠ CAUTION

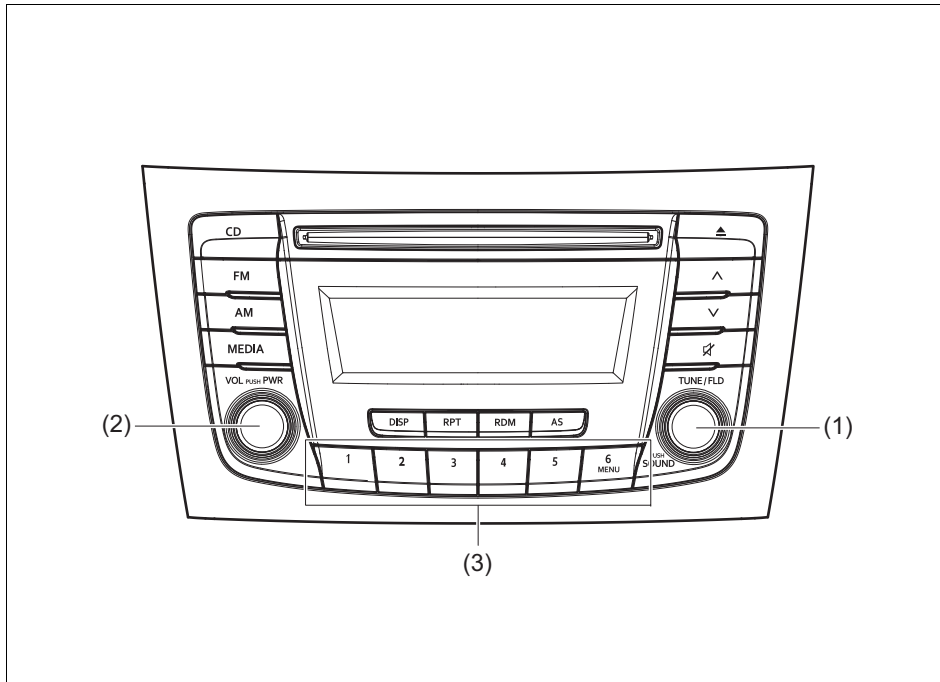
- Before connection, mute the unit, and also keep the volume of the auxiliary audio source within a range that will not cause distortion.
- When the audio source is turned off, noise may be emitted. Be sure to turn off the unit or switch to another mode before turning off the audio source.

OTHER CONTROLS AND EQUIPMENT

NOTE:

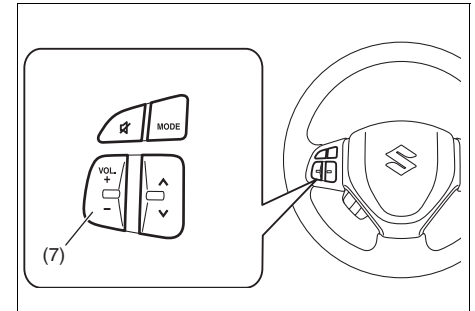
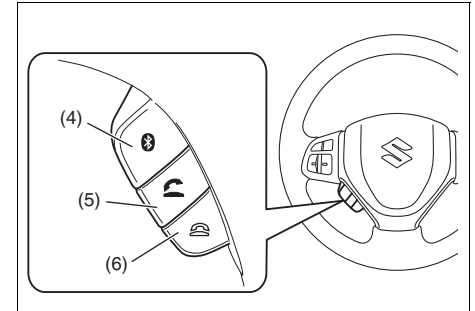
- *Please consult your place of purchase for details about whether a given auxiliary audio source can be connected and the proper auxiliary cord to use.*
- *The volume and tone controls of the auxiliary audio source can be adjusted on the unit.*
- *In AUX mode, the volume setting is different from another mode.*

Bluetooth® Hands-Free (if equipped)



- (1) TUNE FOLDER PUSH SOUND knob
- (2) VOL PUSH POWER knob
- (3) Preset buttons

Steering switch



- (4) Bluetooth® setup button
- (5) Off Hook button
- (6) On Hook button
- (7) VOL switch

OTHER CONTROLS AND EQUIPMENT

Phone registration

To use the hands-free function with this unit, it is required to register the phone in advance.

NOTE:

- Up to 5 phones can be registered.
 - To set up a new phone, disconnect the audio player from the unit. Connect the audio player again after phone setup is completed if necessary.
 - When failed to establish the pairing within 120 seconds, the connecting operation will be canceled. Please try again or refer to the manual of the phone in use for how to establish the pairing with the phone.
- 1) Press the Bluetooth® setup button (4). The Bluetooth® setup menu will be displayed.
 - 2) Turn the TUNE FOLDER PUSH SOUND knob (1) to select “Setup Bluetooth”, and press the knob (1) to determine the selection.
 - 3) Turn the TUNE FOLDER PUSH SOUND knob (1) to select “Pairing”, and press the knob (1) to determine the selection.
 - 4) Select “CAR AUDIO” from the Bluetooth® menu of the phone and establish the pairing.
Refer to the manual of the phone in use for further information.
 - 5) Enter the Passkey displayed on the unit to the phone.

- 6) Press the On Hook button (6).

NOTE:

- When selecting “Go Back”, the previous menu will be displayed.
- When additionally registering a phone, operate the same step from 1).

Receiving a call

Press the Off Hook button (5) to receive a call.

Ending a call

Press the On Hook button (6) to end a call.

Rejecting a call (only for supported models)

Press the On Hook button (6) to reject a incoming call.

Adjusting the listening volume

- Turn the VOL PUSH POWER knob (2) during a call.
Turning it clockwise increases the volume; turning it counterclockwise decreases the volume.
- Press the VOL switch (7) during a call. Pressing “+” of the switch increases the volume, pressing “-” of the switch decreases the volume.

Adjusting the ring volume

- Turn the VOL PUSH POWER knob (2) while a call coming in.
Turning it clockwise increases the volume; turning it counterclockwise decreases the volume.
- Press the VOL switch (7) during a call. Pressing “+” of the switch increases the volume, pressing “-” of the switch decreases the volume.

Adjusting the call or ringtone volume

Follow the instructions below to adjust the call or ringtone volume.

- 1) Press the Bluetooth® setup button (4). The Bluetooth® setup menu will be displayed.
- 2) Turn the TUNE FOLDER PUSH SOUND knob (1) to select “Setup Telephone”, and press the knob (1) to determine the selection.
- 3) Turn the TUNE FOLDER PUSH SOUND knob (1) to select “Sound Setting”, and press the knob (1) to determine the selection.
- 4) Turn the TUNE FOLDER PUSH SOUND knob (1) to select “Call Volume” or “Ringtone Volume”, and press the knob (1) to determine the selection. The current call or ringtone volume will be displayed.
- 5) Turn the TUNE FOLDER PUSH SOUND knob (1) to select desired call or ringtone volume, and press the knob (1) to determine the selection.

NOTE:

When selecting “Go Back”, the previous menu will be displayed.

Selecting the Ringtone

Follow the instructions below to select a ringtone.

- 1) Press the Bluetooth® setup button (4).
The Bluetooth® setup menu will be displayed.
- 2) Turn the TUNE FOLDER PUSH SOUND knob (1) to select “Setup Telephone”, and press the knob (1) to determine the selection.
- 3) Turn the TUNE FOLDER PUSH SOUND knob (1) to select “Sound Setting”, and press the knob (1) to determine the selection.
- 4) Turn the TUNE FOLDER PUSH SOUND knob (1) to select “Ringtone”, and press the knob (1) to determine the selection.
The current ringtone will be sounded.
- 5) Turn the TUNE FOLDER PUSH SOUND knob (1) to select desired ringtone, and press the knob (1) to determine the selection.

NOTE:

When selecting “Go Back”, the previous menu will be displayed.

Dialing using Missed/Incoming/Outgoing Calls

Follow the instructions below to dial to the last dialed number again.

NOTE:

Up to 10 phone numbers of the latest calls can be stored. (10 each for dialed, received and missed call)

- 1) Press the Off Hook button (5).
The Bluetooth® phonebook menu will be displayed.
- 2) Turn the TUNE FOLDER PUSH SOUND knob (1) to select “Missed Calls”, “Incoming Calls” or “Outgoing Calls”, and press the knob (1) to determine the selection.
To dial from the dialed history or the received history, select “Missed Calls”, “Incoming Calls” or “Outgoing Calls” respectively.
- 3) Turn the TUNE FOLDER PUSH SOUND knob (1) to select the desired number, and press the knob (1) to determine the selection.
- 4) Turn the TUNE FOLDER PUSH SOUND knob (1) to select “Dial”, and press the knob (1) or the Off Hook button (5) to dial to the selected number.

NOTE:

- *When selecting “Go Back”, the previous menu will be displayed.*
- *Pressing “Confirm” after selecting “Add Speed Dial” can register the selected number in the speed dial.*
- *Pressing “Confirm” after selecting “Delete” can delete the selected number from the call history.*

Deletion of call history

Follow the instructions below to delete a missed/incoming/outgoing call history.

- 1) Press the Off Hook button (5).
The Bluetooth® phonebook menu will be displayed.
- 2) Turn the TUNE FOLDER PUSH SOUND knob (1) to select “Setup Phonebook”, and press the knob (1) to determine the selection.
- 3) Turn the TUNE FOLDER PUSH SOUND knob (1) to select “Delete History”, and press the knob (1) to determine the selection.
- 4) Turn the TUNE FOLDER PUSH SOUND knob (1) to select “Missed Calls”, “Incoming Calls”, or “Outgoing Calls”, and press the knob (1) to determine the selection.
- 5) Turn the TUNE FOLDER PUSH SOUND knob (1) to select a number to be deleted or “ALL”, and press the knob (1) to determine the selection.
- 6) Turn the TUNE FOLDER PUSH SOUND knob (1) to select “Delete?” or

OTHER CONTROLS AND EQUIPMENT

“Delete All?”, and press the knob (1) to determine the selection.

- 7) Turn the TUNE FOLDER PUSH SOUND knob (1) to select “Confirm”, and press the knob (1) to complete the deletion.

NOTE:

When selecting “Go Back”, the previous menu will be displayed.

Registration in Phonebook

Registration of numbers in the phonebook. Follow the instructions below to register phone numbers in the Phonebook of the unit.

- 1) Press the Bluetooth® setup button (4). The Bluetooth® setup menu will be displayed.
- 2) Turn the TUNE FOLDER PUSH SOUND knob (1) to select “Setup Telephone”, and press the knob (1) to determine the selection.
- 3) Turn the TUNE FOLDER PUSH SOUND knob (1) to select “Setup Phonebook”, and press the knob (1) to determine the selection.
- 4) Turn the TUNE FOLDER PUSH SOUND knob (1) to select “Add Contacts”, and press the knob (1) to determine the selection.
- 5) Turn the TUNE FOLDER PUSH SOUND knob (1) to select “Overwrite All” or “Add One Contact”, and press the knob (1) to determine the selection.

The “Rest of Memory XXXX: Ok?” will be displayed.

- 6) Press or turn the TUNE FOLDER PUSH SOUND knob (1) to select “Confirm”, and press the knob (1) to determine the selection.
- 7) Transfer contacts from the phone. When the registration is completed, the “Setup Phonebook” will be displayed.

NOTE:

- *When selecting “Go Back” the previous menu will be displayed.*
- *Up to 1000 numbers can be registered in Phonebook.*

Transfer of call history (Call History)

Follow the instructions below to transfer call history of the registered phone.

- 1) Press the Bluetooth® setup button (4). The Bluetooth® setup menu will be displayed.
- 2) Turn the TUNE FOLDER PUSH SOUND knob (1) to select “Setup Telephone”, and press the knob (1) to determine the selection.
- 3) Turn the TUNE FOLDER PUSH SOUND knob (1) to select “Call History”, and press the knob (1) to determine the selection.
- 4) Turn the TUNE FOLDER PUSH SOUND knob (1) to select “Call History?”, and press the knob (1) to determine the selection.
- 5) Turn the TUNE FOLDER PUSH SOUND knob (1) to select “Confirm”,

and press the knob (1) to transfer the call history from the phone.

NOTE:

When selecting “Go Back”, the previous menu will be displayed.

Making a call by Phonebook

Follow the instructions below to dial a number registered in Phonebook.

- 1) Press the Off Hook button (5). The Bluetooth® phonebook menu will be displayed.
- 2) Turn the TUNE FOLDER PUSH SOUND knob (1) to select “Phonebook”, and press the knob (1) to determine the selection.
- 3) Turn the TUNE FOLDER PUSH SOUND knob (1) to select the initial of the name you would like to make a call, and press the knob (1) to determine the selection. The registered numbers will be displayed in sequence. If names have been registered together with numbers, the names will be displayed.
- 4) Turn the TUNE FOLDER PUSH SOUND knob (1) to select “Dial”, and press the knob (1) to determine the selection.
- 5) Press the Off Hook button (5). The displayed number or the number registered with the displayed name will be dialed.

Deletion of registered data (Delete Entry)

Follow the instructions below to delete a number registered in Phonebook.

- 1) Press the Bluetooth® setup button (4). The Bluetooth® setup menu will be displayed.
- 2) Turn the TUNE FOLDER PUSH SOUND knob (1) to select “Setup Telephone”, and press the knob (1) to determine the selection.
- 3) Turn the TUNE FOLDER PUSH SOUND knob (1) to select “Setup Phonebook”, and press the knob (1) to determine the selection.
- 4) Turn the TUNE FOLDER PUSH SOUND knob (1) to select “Delete Contacts”, and press the knob (1) to determine the selection.
- 5) Turn the TUNE FOLDER PUSH SOUND knob (1) to select a number to be deleted, and press the knob (1) to determine the selection.
- 6) Turn the TUNE FOLDER PUSH SOUND knob (1) to select “Delete?”, and press the knob (1) to determine the selection.
- 7) Turn the TUNE FOLDER PUSH SOUND knob (1) to select “Confirm”, and press the knob (1) to complete the deletion.

NOTE:

When selecting “Go Back”, the previous menu will be displayed.

Registration in speed dial

Follow the instructions below to assign a number to one of the Preset buttons to use as the speed dial.

- 1) Press the Bluetooth® setup button (4). The Bluetooth® setup menu will be displayed.
- 2) Turn the TUNE FOLDER PUSH SOUND knob (1) to select “Setup Telephone”, and press the knob (1) to determine the selection.
- 3) Turn the TUNE FOLDER PUSH SOUND knob (1) to select “Setup Phonebook”, and press the knob (1) to determine the selection.
- 4) Turn the TUNE FOLDER PUSH SOUND knob (1) to select “Add Speed Dial”, and press the knob (1) to determine the selection.
- 5) Turn the TUNE FOLDER PUSH SOUND knob (1) to select a number to be assigned, and press the knob (1) to determine the selection.
- 6) Turn the TUNE FOLDER PUSH SOUND knob (1) to select “Choose Preset”, and press the knob (1) to determine the selection.
- 7) Press one of the Preset buttons (3) to which the selected number is to be assigned. If a number is already assigned to the selected button, a confirmation message will be displayed. Turn the TUNE FOLDER PUSH SOUND knob (1) to select “Confirm”, and press the knob (1) to complete the assignment.

When the assignment is completed, the “Setup Phonebook” will be displayed.

NOTE:

When selecting “Go Back”, the previous menu will be displayed.

One-touch call (Speed dial)

Follow the instructions below to dial the number assigned to each of the Preset buttons (3).

- 1) Press the Off Hook button (5). The Bluetooth® phonebook menu will be displayed.
- 2) Turn the TUNE FOLDER PUSH SOUND knob (1) to select “Speed Dials”, and press the knob (1) to determine the selection.
- 3) Press one of the Preset buttons (3). When no number is assigned, “No Entry” is displayed.
- 4) Press the Off Hook button (5). The selected number will be dialed.

OTHER CONTROLS AND EQUIPMENT

Deletion of speed dial (Del Speed Dial)

To delete a number assigned for the speed dial, follow the instructions below.

- 1) Press the Off Hook button (5).
The Bluetooth® phonebook menu will be displayed.
- 2) Turn the TUNE FOLDER PUSH SOUND knob (1) to select “Speed Dials”, and press the knob (1) to determine the selection.
- 3) Press one of the Preset buttons (3) to which the number to be deleted is assigned.
“No Entry” appears if the number is not registered.
- 4) Turn the TUNE FOLDER PUSH SOUND knob (1) to select “Delete”, and press the knob (1) to determine the selection.
- 5) Turn the TUNE FOLDER PUSH SOUND knob (1) to select “Del Speed Dial”, and press the knob (1) to determine the selection.
- 6) Turn the TUNE FOLDER PUSH SOUND knob (1) to select “Confirm”, and press the knob (1) to complete the deletion.

NOTE:

When selecting “Go Back”, the previous menu will be displayed.

Display of device data (Device Name)

Follow the instructions below to display the BD (Bluetooth® Device) address and device name.

- 1) Press the Bluetooth® setup button (4).
The Bluetooth® setup menu will be displayed.
- 2) Turn the TUNE FOLDER PUSH SOUND knob (1) to select “Setup Bluetooth”, and press the knob (1) to determine the selection.
- 3) Turn the TUNE FOLDER PUSH SOUND knob (1) to select “Bluetooth Info”, and press the knob (1) to determine the selection.
- 4) Turn the TUNE FOLDER PUSH SOUND knob (1) to select “Device Name” or “Device Address”, and press the knob (1) to display the device name or the BD (Bluetooth® Device) address.

NOTE:

When selecting “Go Back”, the previous menu will be displayed.

Reset to the factory defaults

Follow the instructions below to reset all the settings to the factory defaults.

- 1) Press the Bluetooth® setup button (4).
The Bluetooth® setup menu will be displayed.
- 2) Turn the TUNE FOLDER PUSH SOUND knob (1) to select “Setup Bluetooth”, and press the knob (1) to determine the selection.
- 3) Turn the TUNE FOLDER PUSH SOUND knob (1) to select “Initialize”, and press the knob (1) to determine the selection.
- 4) Turn the TUNE FOLDER PUSH SOUND knob (1) to select “All Initialize”, and press the knob (1) to determine the selection.
- 5) Turn the TUNE FOLDER PUSH SOUND knob (1) to select “Confirm”, and press the knob (1) to start the reset.

NOTE:

When selecting “Go Back”, the previous menu will be displayed.

Selection of phone (Select Phone)

Follow the instructions below to select a phone to be paired with from the registered phones.

- 1) Press the Bluetooth® setup button (4). The Bluetooth® setup menu will be displayed.
- 2) Turn the TUNE FOLDER PUSH SOUND knob (1) to select “Setup Bluetooth”, and press the knob (1) to determine the selection.
- 3) Turn the TUNE FOLDER PUSH SOUND knob (1) to select “List Phone”, and press the knob (1) to determine the selection.
- 4) Turn the TUNE FOLDER PUSH SOUND knob (1) to select a phone to be paired with, and press the knob (1) to determine the selection.
- 5) Turn the TUNE FOLDER PUSH SOUND knob (1) to select “Select”, and press the knob (1) to determine the selection.

NOTE:

- When selecting “Go Back”, the previous menu will be displayed.
- The Bluetooth® ready audio device will be disconnected when the phone is selected.

List of phones (List Phones)

Follow the instructions below to display the names of the registered phones in sequence.

- 1) Press the Bluetooth® setup button (4). The Bluetooth® setup menu will be displayed.
- 2) Turn the TUNE FOLDER PUSH SOUND knob (1) to select “Setup Bluetooth”, and press the knob (1) to determine the selection.
- 3) Turn the TUNE FOLDER PUSH SOUND knob (1) to select “List Phone”, and press the knob (1) to determine the selection. The names of the registered phones are displayed in sequence.

NOTE:

When selecting “Go Back”, the previous menu will be displayed.

Passkey setting (Set Passkey)

Follow the instructions below to set the security number (Passkey).

- 1) Press the Bluetooth® setup button (4). The Bluetooth® setup menu will be displayed.
- 2) Turn the TUNE FOLDER PUSH SOUND knob (1) to select “Setup Bluetooth”, and press the knob (1) to determine the selection.
- 3) Turn the TUNE FOLDER PUSH SOUND knob (1) to select “Passkey”, and press the knob (1) to determine the selection.

- 4) Turn the TUNE FOLDER PUSH SOUND knob (1) to select “New Passkey”, and press the knob (1) to determine the selection.
- 5) Press or turn the TUNE FOLDER PUSH SOUND knob (1) to select “Confirm”.
- 6) Turn the TUNE FOLDER PUSH SOUND knob (1) to select a number for the first digit, and press the knob (1) to determine the selection. Select and determine numbers for the second, third and fourth digits in order in the same manner. When not entering up to the eighth digit, enter blanks for the successive digits.
- 7) Turn the TUNE FOLDER PUSH SOUND knob (1) to determine the passkey setting.

NOTE:

When selecting “Go Back”, the previous menu will be displayed.

OTHER CONTROLS AND EQUIPMENT

Deletion of phone information (Delete Phone)

Follow the instructions below to delete the registered information of the phone.

- 1) Press the Bluetooth[®] setup button (4). The Bluetooth[®] setup menu will be displayed.
- 2) Turn the TUNE FOLDER PUSH SOUND knob (1) to select "Setup Bluetooth", and press the knob (1) to determine the selection.
- 3) Turn the TUNE FOLDER PUSH SOUND knob (1) to select "List Phone", and press the knob (1) to determine the selection.
- 4) Turn the TUNE FOLDER PUSH SOUND knob (1) to select a phone to be deleted, and press the knob (1) to determine the selection.
- 5) Turn the TUNE FOLDER PUSH SOUND knob (1) to select "Delete Phone", and press the knob (1) to determine the selection.
- 6) Turn the TUNE FOLDER PUSH SOUND knob (1) to select "Delete?", and press the knob (1) to determine the selection.
- 7) Turn the TUNE FOLDER PUSH SOUND knob (1) to select "Confirm", and press the knob (1) to determine the selection.

NOTE:

When selecting "Go Back", the previous menu will be displayed.

BT function on/off (BT Power)

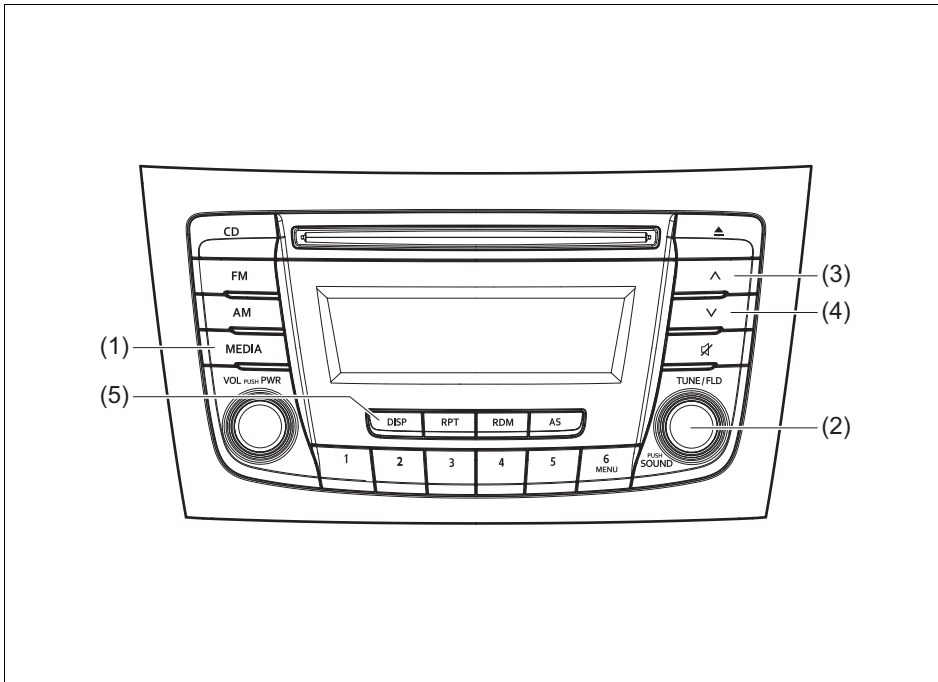
Follow the instructions below to turn on/off the Bluetooth[®] function.

- 1) Press the Bluetooth[®] setup button (4). The Bluetooth[®] setup menu will be displayed.
- 2) Turn the TUNE FOLDER PUSH SOUND knob (1) to select "Setup Bluetooth", and press the knob (1) to determine the selection.
- 3) Turn the TUNE FOLDER PUSH SOUND knob (1) to select "BT Power", and press the knob (1) to determine the selection.
- 4) Press the TUNE FOLDER PUSH SOUND knob (1) to select "BT Power On" or "BT Power Off".

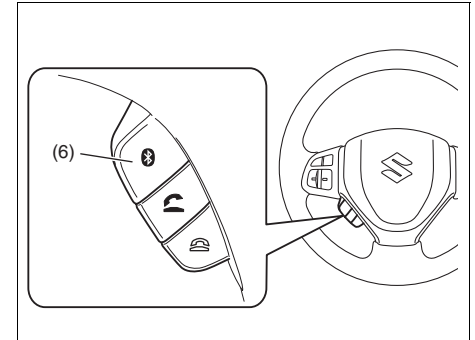
NOTE:

- *When the BT function is turned off, the connection between this unit and the registered phone in use will be disconnected.*
- *When selecting "Go Back", the previous menu will be displayed.*

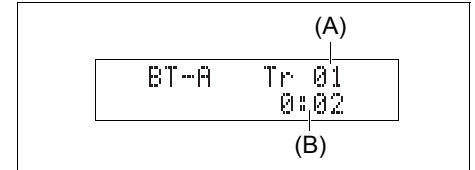
Bluetooth® audio (if equipped)



Steering switch



Display



- (1) MEDIA button
- (2) TUNE FOLDER PUSH SOUND knob
- (3) Up button
- (4) Down button
- (5) DISP button
- (6) Bluetooth® setup button

- (A) Track number
- (B) Play time

OTHER CONTROLS AND EQUIPMENT

Registration of audio devices

To use Bluetooth® ready audio devices with this unit, it is required to register the devices.

NOTE:

- To set up a new audio player, disconnect the phone from the unit. Connect the phone after audio player setup is completed if necessary.
 - When failed to establish the connection within 120 seconds, the connecting operation will be canceled. Please try again or refer to the audio player manual for assistance with the pairing process.
- 1) Press the Bluetooth® setup button (6). The Bluetooth® setup menu will be displayed.
 - 2) Turn the TUNE FOLDER PUSH SOUND knob (2) to select “Setup Bluetooth”, and press the knob (2) to determine the selection.
 - 3) Turn the TUNE FOLDER PUSH SOUND knob (2) to select “Pairing”, and press the knob (2) to determine the selection.
 - 4) Select “CAR AUDIO” from the Bluetooth® menu of the audio player and establish the pairing. Refer to the manual of the audio player in use for further information.
 - 5) Enter the Passkey displayed on the unit to the audio player.

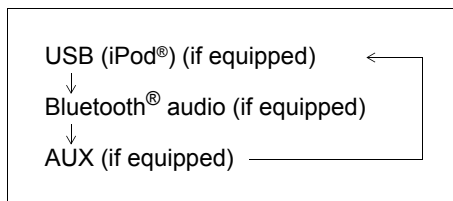
NOTE:

- When selecting “Go Back”, the previous menu will be displayed.
- When additionally registering audio devices, operate the same step from 1).

Selecting the Bluetooth® audio mode

Press the MEDIA button (1).

Each time the button is pressed, the mode will change as follows:



Selecting a group (only for supported models)

Turn the TUNE FOLDER PUSH SOUND knob (2) to select a group.

Selecting a track

- Press the Up button (3) to listen to the next track.
 - Press the Down button (4) twice to listen to the previous track.
- When the Down button (4) is pressed once, the track currently being played will start from the beginning again.

Fast forwarding/Rewinding a track

- Hold down the Up button (3) to fast forward the track.
- Hold down the Down button (4) to fast rewind the track.

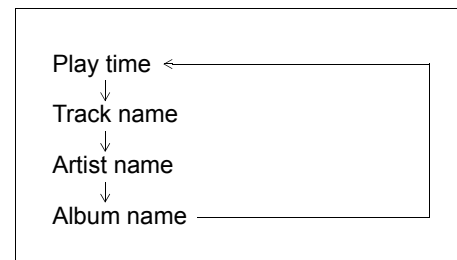
NOTE:

Some functions may not be available depending on Bluetooth® audio.

Display change

Press the DISP button (5).

Each time the button is pressed, display will change as follows:



NOTE:

If text data contains more than 16 characters, the “>” mark will appear at the right end. Holding down the DISP button (5) for 1 second or longer can display the next page.

Selection of audio device (Select Audio)

Follow the instructions below to select an audio device to be paired with from the registered audio devices.

- 1) Press the Bluetooth® setup button (6). The Bluetooth® setup menu will be displayed.
- 2) Turn the TUNE FOLDER PUSH SOUND knob (2) to select “Setup Bluetooth”, and press the knob (2) to determine the selection.
- 3) Turn the TUNE FOLDER PUSH SOUND knob (2) to select “List Audio”, and press the knob (2) to determine the selection.
- 4) Turn the TUNE FOLDER PUSH SOUND knob (2) to select an audio device to be used, and press the knob (2) to determine the selection.
- 5) Turn the TUNE FOLDER PUSH SOUND knob (2) to select “Select”, and press the knob (2) to determine the selection.
- 6) Turn the TUNE FOLDER PUSH SOUND knob (2) to select “Confirm”, and press the knob (2) to complete the pairing.

NOTE:

- When selecting “Go Back”, the previous menu will be displayed.
- The phone will be disconnected when the Bluetooth® ready audio device is selected.

List of audio devices (List Audio)

Follow the instructions below to display the names of the registered audio devices in sequence.

- 1) Press the Bluetooth® setup button (6). The Bluetooth® setup menu will be displayed.
- 2) Turn the TUNE FOLDER PUSH SOUND knob (2) to select “Setup Bluetooth”, and press the knob (2) to determine the selection.
- 3) Turn the TUNE FOLDER PUSH SOUND knob (2) to select “List Audio”, and press the knob (2) to determine the selection. The names of registered audio devices will be displayed in sequence.

NOTE:

When selecting “Go Back”, the previous menu will be displayed.

Passkey setting (Set Passkey)

Follow the instructions below to set the security number (Passkey).

- 1) Press the Bluetooth® setup button (6). The Bluetooth® setup menu will be displayed.
- 2) Turn the TUNE FOLDER PUSH SOUND knob (2) to select “Setup Bluetooth”, and press the knob (2) to determine the selection.
- 3) Turn the TUNE FOLDER PUSH SOUND knob (2) to select “Passkey”, and press the knob (2) to determine the selection.

- 4) Turn the TUNE FOLDER PUSH SOUND knob (2) to select “New Passkey”, and press the knob (2) to determine the selection.
- 5) Press or turn the TUNE FOLDER PUSH SOUND knob (2) to select “Confirm”.
- 6) Turn the TUNE FOLDER PUSH SOUND knob (2) to select a number for the first digit, and press the knob (2) to determine the selection. Select and determine numbers for the second, third and fourth digits in order in the same manner. When not entering up to the eighth digit, enter blanks for the successive digits.
- 7) Turn the TUNE FOLDER PUSH SOUND knob (2) to determine the passkey setting.

NOTE:

When selecting “Go Back”, the previous menu will be displayed.

OTHER CONTROLS AND EQUIPMENT

Deletion of audio device information (Delete Audio)

Follow the instructions below to delete the registered information of audio device.

- 1) Press the Bluetooth[®] setup button (6).
The Bluetooth[®] setup menu will be displayed.
- 2) Turn the TUNE FOLDER PUSH SOUND knob (2) to select “Setup Bluetooth”, and press the knob (2) to determine the selection.
- 3) Turn the TUNE FOLDER PUSH SOUND knob (2) to select “List Audio”, and press the knob (2) to determine the selection.
- 4) Turn the TUNE FOLDER PUSH SOUND knob (2) to select an audio device to be deleted, and press the knob (2) to determine the selection.
- 5) Turn the TUNE FOLDER PUSH SOUND knob (2) to select “Delete”, and press the knob (2) to determine the selection.
- 6) Turn the TUNE FOLDER PUSH SOUND knob (2) to select “Delete?”, and press the knob (2) to determine the selection.
- 7) Turn the TUNE FOLDER PUSH SOUND knob (2) to select “Confirm”, and press the knob (2) to complete the deletion.

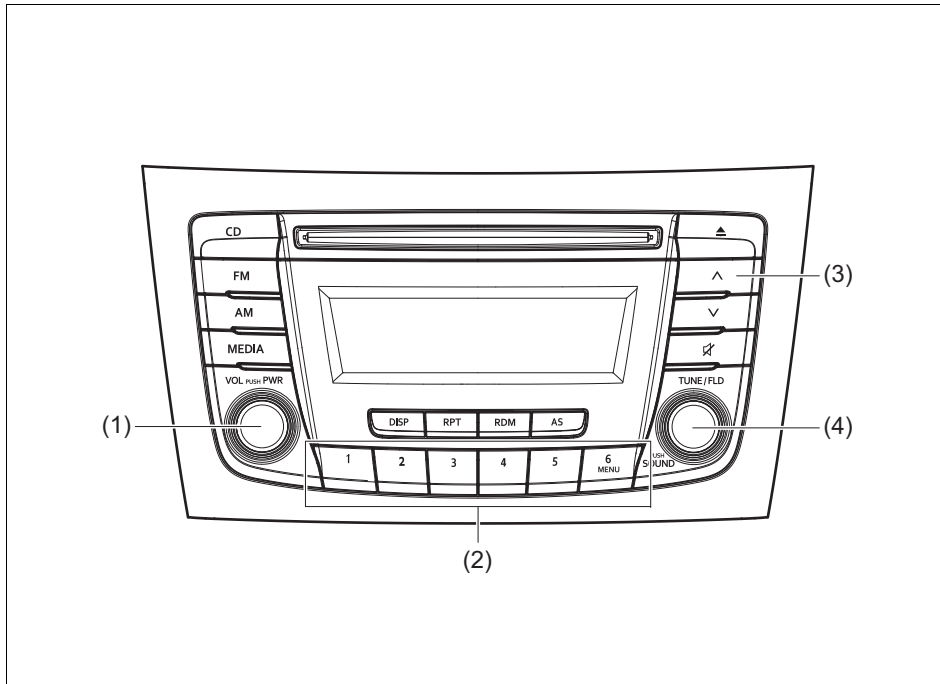
NOTE:

When selecting “Go Back”, the previous menu will be displayed.

Disclaimer for Bluetooth[®] function

- Depending on the mobile phone models, some phones may not be compatible fully or partially (some function may be restricted).
- Connectivity or voice quality may get affected depending on circumstances.
- After the engine switch is pressed to change the ignition mode to “ON”, the audio system takes few seconds to detect and connect to the Bluetooth[®] device (if already paired).

Anti-Theft Feature



- (1) VOL PUSH POWER knob
- (2) Preset buttons ([1] to [6])
- (3) Up button
- (4) TUNE FOLDER PUSH SOUND knob

OTHER CONTROLS AND EQUIPMENT

The anti-theft function is intended to discourage thefts, such as that the audio system becomes inoperable when it is installed on other vehicles.

This function works by entering a Personal Identification Number (PIN).

When the unit is disconnected from its power source, such as when the audio system is removed or the battery is disconnected, the unit will become inoperable until the PIN is reentered.

Setting the Anti-Theft Function

- 1) Press the VOL PUSH POWER knob (1) to power off.
- 2) Hold down the buttons numbered [1] and [6] of the Preset buttons (2) and press the VOL PUSH POWER knob (1). "SECURITY" will be displayed.
- 3) Press the Up button (3) and the button numbered [1] of the Preset buttons (2) simultaneously.
- 4) Enter a 4-digit number to be registered as PIN using the buttons numbered [1] - [4] of the Preset buttons (2).
- 5) Hold down the TUNE FOLDER PUSH SOUND knob (4) for 1 second or longer to set the anti-theft function.

NOTE:

Take a note of the registered PIN and keep it for the future use.

Canceling the anti-theft feature

To cancel the anti-theft function, delete the registered PIN.

- 1) Press the VOL PUSH POWER knob (1) to power off.
- 2) Hold down the buttons numbered [1] and [6] of the Preset buttons (2) and press the VOL PUSH POWER knob (1). "PIN ENTRY" will be displayed.
- 3) Press the Up button (3) and the button numbered [1] of the Preset buttons (2) simultaneously.
- 4) Enter a 4-digit number to be registered as PIN using the buttons numbered [1] - [4] of the Preset buttons (2).
- 5) Hold down the TUNE FOLDER PUSH SOUND knob (4) for 1 second or longer to delete the registered PIN. The indication "----" will be displayed and the anti-theft function will be canceled.

NOTE:

To change your PIN, first delete your current PIN, then set a new one.

Confirming the Personal Identification Number (PIN)

When the main power source is disconnected such as when the battery is replaced, etc, it is required to enter the PIN to make the unit operable again.

- 1) Set the ignition mode to the "ACC" position.
"SECURITY" will be displayed.
- 2) Press the Up button (3) and the button numbered [1] of the Preset buttons (2) simultaneously.
- 3) Enter a 4-digit number to be registered as PIN using the buttons numbered [1] - [4] of the Preset buttons (2).
- 4) Hold down TUNE FOLDER PUSH SOUND knob (4) for 1 second or longer.

When the PIN same as registered is entered, the power of the audio system will be turned off automatically and it will become operable again.

NOTE:

If an incorrect PIN is entered, "ERROR" and the total number of incorrect entry attempts will be displayed.

If an incorrect PIN is entered 10 times, "HELP" will be displayed and the audio system will become inoperable.

Troubleshooting

When encountered a problem, check and follow the instructions as described below.
 If the described suggestions do not solve the problem, it is recommended to take the unit to your authorized SUZUKI dealer.

Problem	Possible cause	Possible solution
---------	----------------	-------------------

Common

Unable to operate	The security function is on.	When “SECURITY” is displayed, enter the ID. When “HELP” is displayed, contact your authorized SUZUKI dealer.
Unable to turn on the power (no sound). (No sound is produced)	Fuse is blown.	Contact your authorized SUZUKI dealer.

Radio

Much noise	It may not be exactly tuned in to the station.	Tune it in exactly to the station.
Unable to receive by auto tuning	There may be no station emitting signals powerful enough.	Pick up a station by manual tuning.

CD

Sound skips or noise produced	The disc is dirty.	Wipe the disc with a soft cloth.
	The disc has a major scratch or is warped.	Replace the disc with the one with no scratch and also not warped.

OTHER CONTROLS AND EQUIPMENT

Problem	Possible cause	Possible solution
---------	----------------	-------------------

MP3/WMA/AAC

No playback	The disc contains unsupported formatted data.	Check the file format.
Sound skips or noise produced	Sound skipping may occur when playing VBR (Variable Bit Rate) files.	It is not recommended to play VBR files.

USB

Playback does not start when the USB device is connected.	There is no supported format file to play on this unit.	Check the file format.
	The current consumption of the USB device exceeds 1.0 A.	Use an USB device with a current consumption lower than 1.0 A.

Bluetooth®

Pairing failed	The distance between this unit and the Bluetooth® ready device is too far, or a metallic object may be located between the Bluetooth® ready device and this unit.	Change the location of the Bluetooth® ready device.
	The Bluetooth® function of the Bluetooth® ready device is off.	Refer to the manual of the Bluetooth® ready device. (Some devices have the power saving function that automatically activates after a certain time.)
Unable to receive a call.	Your current location may be out of service area.	Drive your vehicle to the service area of the phone.
The voice quality of hands-free is low (Distortion, noise etc.).	Another wireless device may be located near the unit.	Switch off the wireless device or keep it away from the unit.

Error Display Messages

Display	Possible cause	Possible solution
---------	----------------	-------------------

CD

ERROR 1	The disc cannot be read.	Insert the disc with its label side up. Check the disc if it is not warped or is free of flaws. When ERROR 1 does not disappear even when a normal disc is inserted, contact your dealer.
ERROR 3	The player developed an error of an unidentified cause.	When the CD is in the unit, press the CD eject button to remove the disc. When the disc cannot be ejected, contact your dealer.

USB/iPod®

ERROR 1	The USB device is disconnected.	Check the connection of the USB device.
ERROR 2	Impossible to communicate correctly with the USB device.	Unplug the USB device and plug it again. Check the USB device.
ERROR 3	Inoperable due to an unidentified cause.	Unplug the USB device and plug it again. When ERROR 3 does not disappear, contact your dealer.
ERROR 4	The current consumption of the USB device exceeds 1.0 A.	Check the USB device.

OTHER CONTROLS AND EQUIPMENT

Display	Possible cause	Possible solution
---------	----------------	-------------------

Bluetooth®

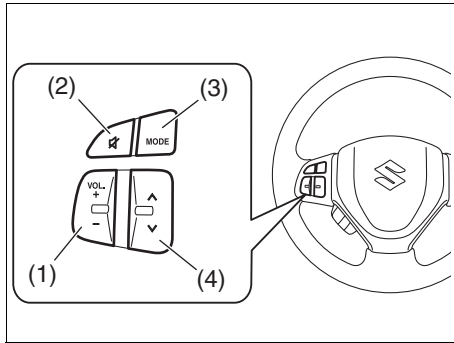
ERROR 1	The player developed an error of an unidentified cause.	Disconnect the Bluetooth® ready device and connect it again. When ERROR 1 does not disappear, contact your dealer.
Connection Failed	Failed to establish pairing or connection	Try to establish the pairing or connection again.
Memory Full	Reached the limit for the number of phone-book data in transfer	Delete registered data of unnecessary number in phone-book and try to transfer the register phone numbers in the phonebook again.
Not Available	Inoperable during driving	Operate the system after pulling over your car.

Remote Audio Controls (if equipped)

Controlling of basic functions of the audio system is available using the switches on the steering wheel.

NOTE:

Operation of remote audio controls may differ depending on the audio system. Refer to the instructions described in the owner's manual of your audio system.



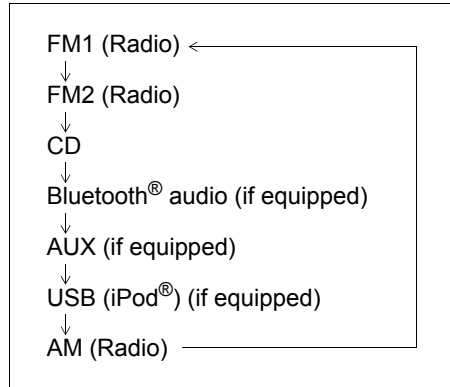
Adjusting the volume

- To increase the volume, hold down “+” of the VOL switch (1). The volume will keep on being increased until the switch is released.
- To decrease the volume, hold down “-” of the VOL switch (1). The volume will keep on being decreased until the switch is released.
- To mute the sound, press the switch (2).

Selecting the mode

Press the switch (3).

Each time the button is pressed, the mode will change as follows:



It is possible to turn on the audio system by pressing the switch (3).

Selecting the radio station (FM1, FM2, AM mode)

- To select the next preset station, press “^” of the switch (4) only for a moment.
- To select the previous preset station, press “v” of the switch (4) only for a moment.
- To scan a higher frequency radio station, press “^” of the switch (4) for 1 second or longer.
- To scan a lower frequency radio station, press “v” of the switch (4) for 1 second or longer.

Selecting the track (CD, USB (iPod®), Bluetooth® audio mode)

- To skip to the next track, press “^” of the switch (4) only for a moment.
- To skip to the previous track, press “v” of the switch (4) twice only for a moment. When the switch (4) is pushed down once only for a moment, the track currently being played will start from the beginning again.

Fast forwarding/Rewinding a track

- To fast forward, press “^” of the switch (4) for 1 second or longer.
- To fast rewind, press “v” of the switch (4) for 1 second or longer.

VEHICLE LOADING AND TOWING

Vehicle Loading	6-1
Trailer Towing	6-1
Towing Your Vehicle (recreational towing)	6-2



54G215

VEHICLE LOADING AND TOWING

Vehicle Loading

Your vehicle was designed for specific weight capacities. The weight capacities of your vehicle are indicated by the Gross Vehicle Weight Rating (GVWR) and the Permissible maximum Axle Weight (PAW, front and rear). The GVWR and PAW (front and rear) are listed in the “SPECIFICATIONS” section.

GVWR – Maximum permissible overall weight of the fully loaded vehicle (including all the occupants, accessories and cargo plus the trailer nose weight if towing a trailer).

PAW – (Front and Rear) Maximum permissible weight on an individual axle.

Actual weight of the loaded vehicle and actual loads at the front and rear axles can only be determined by weighing the vehicle. Compare these weights to the GVWR and PAW (front and rear). If the gross vehicle weight or the load on either axle exceeds these ratings, you must remove enough weight to bring the load down to the rated capacity.

WARNING

Never overload your vehicle. The gross vehicle weight (sum of the weights of the vehicle, all the occupants, accessories, cargo plus trailer nose weight if towing a trailer) must never exceed the Gross Vehicle Weight Rating (GVWR). In addition, never distribute a load so that the weight on either the front or rear axle exceeds the Permissible maximum Axle Weight (PAW).

WARNING

Always distribute cargo evenly. To avoid personal injury or damage to your vehicle, always secure cargo to prevent it from shifting if the vehicle moves suddenly. Place heavier objects on the floor and as far forward in the cargo area as possible. Never pile cargo higher than the top of the seat backs.

Trailer Towing

Your SUZUKI was originally designed to carry people and a normal amount of cargo, not to tow a trailer.

Towing Your Vehicle (recreational towing)

Your vehicle may be towed behind another vehicle (such as a motorhome), provided your vehicle is 2 wheel drive (2WD) and you use the proper towing method specified for your vehicle. The towing method you must use depends on the specifications of your vehicle: whether it is a manual transaxle vehicle or an automatic transaxle vehicle.

Use the towing instruction table to select the proper towing method for your vehicle, and carefully follow the corresponding instructions. Be sure to use proper towing equipment designed for recreational towing and make sure that towing speed does not exceed 90 km/h (55 mph).

WARNING

When you tow your vehicle, follow the instructions below to avoid accidents and damage to your vehicle. In addition, be sure to observe government and local requirements regarding vehicle lighting and trailer hitches or tow bars.

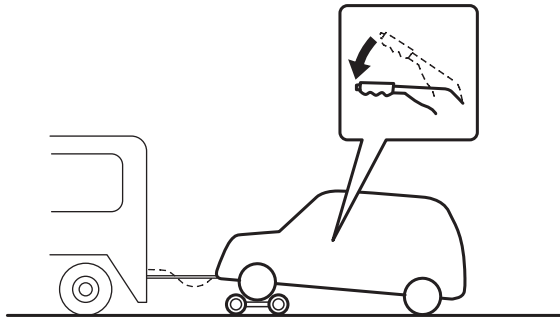
WARNING

A safety chain should always be used when you tow your vehicle.

VEHICLE LOADING AND TOWING

TOWING METHOD

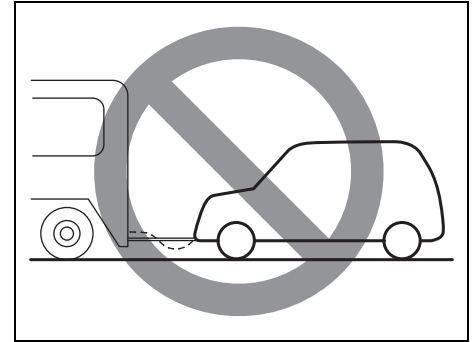
**FROM THE FRONT:
FRONT WHEELS ON A DOLLY
AND REAR WHEELS ON THE GROUND**



79PS1A601

2WD VEHICLES WITH AUTOMATIC TRANSAXLE

- 1) Secure the front wheels on a towing dolly according to the instructions provided by the dolly manufacturer.
- 2) Release the parking brake.

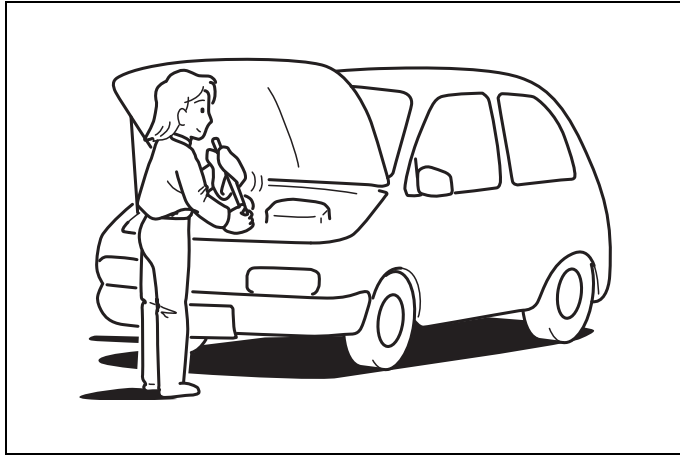


79PS1A602

NOTICE

Towing an automatic transaxle vehicle with four wheels on the ground can result in damage to the automatic transaxle.

INSPECTION AND MAINTENANCE



60G410

Maintenance Schedule	7-2
Periodic Maintenance Schedule	7-2
Drive Belt	7-7
Engine Oil and Filter	7-7
Engine Coolant	7-11
Air Cleaner	7-13
Spark Plugs	7-13
Automatic Transaxle (AT) Fluid	7-14
Brakes	7-15
Steering	7-18
Tires	7-18
Battery	7-21
Fuses	7-22
Headlight Aiming	7-25
Bulb Replacement	7-26
Wiper Blades	7-32
Windshield Washer Fluid	7-34
Air Conditioning System	7-35



60B128S

⚠ WARNING

You should take extreme care when working on your vehicle to prevent accidental injury. Here are a few precautions that you should be especially careful to observe:

- To prevent damage or unintended activation of the air bag system or seat belt pretensioner system, be sure the battery is disconnected and the ignition switch has been in the "LOCK" position or the ignition mode has been "LOCK" (OFF) for at least 90 seconds before performing any electrical service work on your SUZUKI. Do not touch air bag system components, seat belt pretensioner system components or wires. The wires are wrapped with yellow tape or yellow tubing, and the couplers are yellow for easy identification.
- Do not leave the engine running in garages or other confined areas.

(Continued)

⚠ WARNING

(Continued)

- When the engine is running, keep hands, clothing, tools, and other objects away from the fan and drive belt. Even though the fan may not be moving, it can automatically turn on without warning.
- When it is necessary to do service work with the engine running, make sure that the parking brake is set fully and the transaxle is in Neutral (for manual transaxle vehicles) or Park (for automatic transaxle vehicles).
- Do not touch ignition wires or other ignition system parts when starting the engine or when the engine is running, or you could receive an electric shock.
- Be careful not to touch a hot engine, exhaust manifold and pipes, muffler, radiator and water hoses.
- Do not allow smoking, sparks, or flames around fuel or the battery. Flammable fumes are present.
- Do not get under your vehicle if it is supported only with the portable jack provided in your vehicle.
- Be careful not to cause accidental short circuits between the positive and negative battery terminals.

(Continued)

⚠ WARNING

(Continued)

- Keep used oil, coolant, and other fluids away from children and pets. Dispose of used fluids properly; never pour them on the ground, into sewers, etc.

Maintenance Schedule

The following table shows the times when you should perform regular maintenance on your vehicle. This table shows in miles, kilometers and months when you should perform inspections, adjustments, lubrication and other services. These intervals should be shortened if driving is usually done under severe conditions.

WARNING

SUZUKI recommends that maintenance on items marked with an asterisk (*) be performed by your authorized SUZUKI dealer or a qualified service technician. If you are qualified, you may perform maintenance on the unmarked items by referring to the instructions in this section. If you are not sure whether you can successfully complete any of the unmarked maintenance jobs, ask your authorized SUZUKI dealer to do the maintenance for you.

NOTICE

Whenever it becomes necessary to replace parts on your vehicle, it is recommended that you use genuine SUZUKI replacement parts or their equivalent.

Periodic Maintenance Schedule

“R” : Replace or Change

“I” : Inspect, clean, adjust, lubricate or replace as necessary

NOTE:

This table shows the service schedule up to 130000 km (78000 miles). Beyond 60000 km (36000 miles), perform the same services at the same intervals shown in the chart.

INSPECTION AND MAINTENANCE

“R” : Replace or change

“I” : Inspect, clean, adjust, lubricate or replace as necessary

*Interval: This interval should be judged by odometer reading or months, whichever comes first.	km (×1000)	1	10	20	30	40	50	60
	miles (×1000)	0.6	6	12	18	24	30	36
	months	1	6	12	18	24	30	36
ENGINE								
1-1. Engine accessory drive belt	Tension check, *Adjustment, *Replacement	–	–	I	–	I	–	R
*1-2. Valve clearance		–	–	–	–	I	–	I
1-3. Engine oil and engine oil filter		R	R	R	R	R	R	R
1-4. Engine coolant	SUZUKI LLC: Standard (Coolant color: Green) #1	–	–	–	–	–	–	R
*1-5. Exhaust system (except catalyst)		–	–	–	–	I	–	–
IGNITION								
2-1. Spark plugs	Nickel plug	Replace every 10000 km (6000 miles) or 6 months.						
FUEL								
3-1. Air cleaner filter element	Dusty condition (Inspection Every 2500 km) #2	–	I	I	I	R	I	I
*3-2. Fuel lines		–	–	–	I	–	–	I
*3-3. Fuel filter		–	–	–	–	R	–	–
*3-4. Fuel tank		–	–	–	–	I	–	–
EMISSION CONTROL SYSTEM								
*4-1. PCV valve		Every 100000 km (60000 miles) or 60 months						
*4-2. Fuel evaporative emission control system		Every 100000 km (60000 miles) or 60 months						

For Item 1-3: The engine oil level should be checked regularly.

#1: Be sure to perform the engine coolant level check under the daily inspection in “OPERATING YOUR VEHICLE” section.

SUZUKI LLC: Standard (Green) (Replace every 60000 km (36000 miles) or 36 months.)

#2: Inspect or replace more frequently if necessary.

INSPECTION AND MAINTENANCE

“R” : Replace or change

“I” : Inspect, clean, adjust, lubricate or replace as necessary

*Interval: This interval should be judged by odometer reading or months, whichever comes first.	km (×1000)	70	80	90	100	110	120	130
	miles (×1000)	42	48	54	60	66	72	78
	months	42	48	54	60	66	72	78
ENGINE								
1-1. Engine accessory drive belt	Tension check, *Adjustment, *Replacement	–	I	–	I	–	R	–
*1-2. Valve clearance		–	I	–	I	–	I	–
1-3. Engine oil and engine oil filter		R	R	R	R	R	R	R
1-4. Engine coolant	SUZUKI LLC: Standard (Coolant color: Green) #1	–	–	–	–	–	R	–
*1-5. Exhaust system (except catalyst)		–	I	–	–	–	I	–
IGNITION								
2-1. Spark plugs	Nickel plug	Replace every 10000 km (6000 miles) or 6 months.						
FUEL								
3-1. Air cleaner filter element	Dusty condition (Inspection Every 2500 km) #2	I	R	I	I	I	R	I
*3-2. Fuel lines		–	–	I	–	–	I	–
*3-3. Fuel filter		–	R	–	–	–	R	–
*3-4. Fuel tank		–	I	–	–	–	I	–
EMISSION CONTROL SYSTEM								
*4-1. PCV valve		Every 100000 km (60000 miles) or 60 months						
*4-2. Fuel evaporative emission control system		Every 100000 km (60000 miles) or 60 months						

For Item 1-3: The engine oil level should be checked regularly.

#1: Be sure to perform the engine coolant level check under the daily inspection in “OPERATING YOUR VEHICLE” section.

SUZUKI LLC: Standard (Green) (Replace every 60000 km (36000 miles) or 36 months.)

#2: Inspect or replace more frequently if necessary.

INSPECTION AND MAINTENANCE

*Interval: This interval should be judged by odometer reading or months, whichever comes first.	km (×1000)	1	10	20	30	40	50	60
	miles (×1000)	0.6	6	12	18	24	30	36
	months	1	6	12	18	24	30	36
BRAKE								
*5-1. Brake discs and pads (front)		–	–		–		–	
Brake drums and shoes (rear)		–	–	–	–		–	–
*5-2. Brake hoses and pipes		–	–	–		–	–	
5-3. Brake fluid		–	–	–	R	–	–	R
5-4. Brake (Pedal and fluid level)								
5-5. Brake lever and cable	Check, *Adjustment (1st 10000 km only)	–		–	–	–	–	–
CHASSIS AND BODY								
6-1. Tires/Wheels								
*6-2. Drive axle boots		–						
*6-3. Suspension system		–						
*6-4. Steering system		–						
6-5. Automatic transaxle	Fluid level	–	–	–		–	–	
	* Fluid change	Replace every 165000 km (99000 miles).						
	* Fluid hose	–	–	–	–	–	–	
6-6. All latches, hinges and locks		–	–	–		–	–	
*6-7. Air conditioner filter element (if equipped)		–				R		

“|” : Inspect and if necessary, clean, adjust, lubricate or replace

“R” : Replace or change

WARNING

The shock absorbers are filled with high pressure gas. Never attempt to disassemble them or throw them into a fire. Avoid storing them near a heater or heating device. When scrapping the absorber, the gas must be released from the absorber safety. Ask your dealer for assistance.

NOTE:
This table shows the service schedule up to 60000 km (36000 miles), perform the same services at the same intervals shown in the chart.

INSPECTION AND MAINTENANCE

*Interval: This interval should be judged by odometer reading or months, whichever comes first.	km (×1000)	70	80	90	100	110	120	130
	miles (×1000)	42	48	54	60	66	72	78
	months	42	48	54	60	66	72	78
BRAKE								
*5-1. Brake discs and pads (front)	–	I	–	I	–	I	–	I
Brake drums and shoes (rear)	–	I	–	–	–	–	I	–
*5-2. Brake hoses and pipes	–	–	I	–	–	–	I	–
5-3. Brake fluid	–	–	R	–	–	–	R	–
5-4. Brake (Pedal and fluid level)	I	I	I	I	I	I	I	I
5-5. Brake lever and cable	Check, *Adjustment (1st 10000 km only)	–	–	–	–	–	–	–
CHASSIS AND BODY								
6-1. Tires/Wheels	I	I	I	I	I	I	I	I
*6-2. Drive axle boots	I	I	I	I	I	I	I	I
*6-3. Suspension system	I	I	I	I	I	I	I	I
*6-4. Steering system	I	I	I	I	I	I	I	I
6-5. Automatic transaxle	Fluid level	–	–	I	–	–	I	–
	* Fluid change	Replace every 165000 km (99000 miles)						
	* Fluid hose	–	–	–	–	–	I	–
6-6. All latches, hinges and locks	–	–	I	–	–	–	I	–
*6-7. Air conditioner filter element (if equipped)	I	R	I	I	I	I	R	I

“I” : Inspect and if necessary, clean, adjust, lubricate or replace

“R” : Replace or change

WARNING

The shock absorbers are filled with high pressure gas. Never attempt to disassemble them or throw them into a fire. Avoid storing them near a heater or heating device. When scrapping the absorber, the gas must be released from the absorber safety. Ask your dealer for assistance.

NOTE:
This table shows the service schedule up to 60000 km (36000 miles), perform the same services at the same intervals shown in the chart.

Drive Belt

WARNING

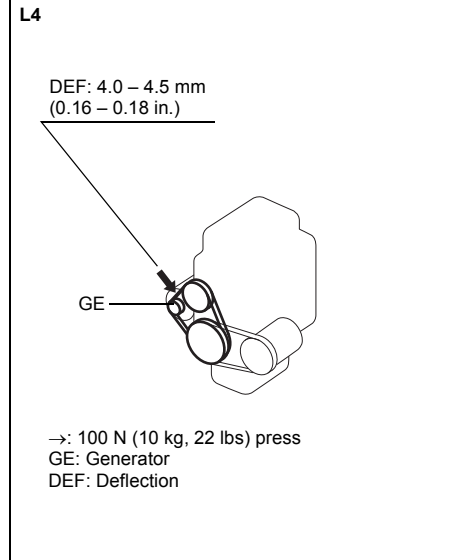
When the engine is running, keep hands, hair, clothing, tools, etc. away from the moving fan and drive belts.

Make sure the drive belt tension is correct. If the belt is too loose, insufficient battery charging, engine overheating, poor air conditioning, or excessive belt wear can result. When you press the belt with your thumb midway between the pulleys, there should be a deflection according to the following chart.

The belts should also be examined to ensure that they are not damaged.

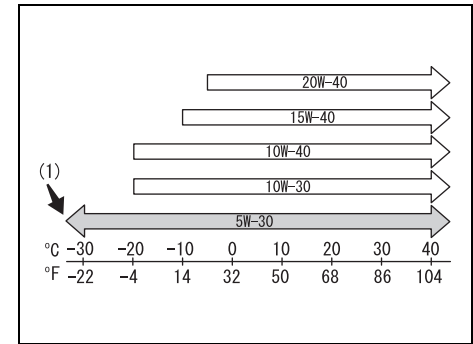
If you need to replace or adjust the belt have it done by your SUZUKI dealer.

K14B



Engine Oil and Filter

Specified Oil



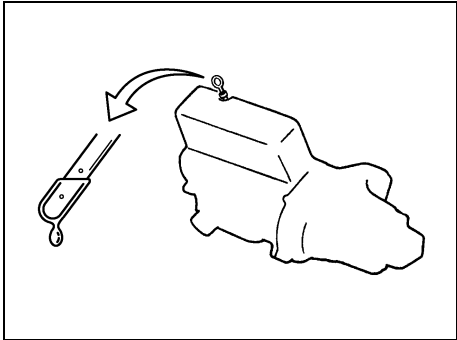
(1) Preferred

Be sure that the engine oil you use comes under the quality classification of SG, SH, SJ, SL, SM or SN. Select the appropriate oil viscosity according to the above chart.

SAE 5W-30 (1) is the best choice for good fuel economy, and good starting in cold weather.

SUZUKI strongly recommends using SUZUKI ECSTAR, it has been born as the optimal design and specification tailored for SUZUKI product.

Oil Level Check

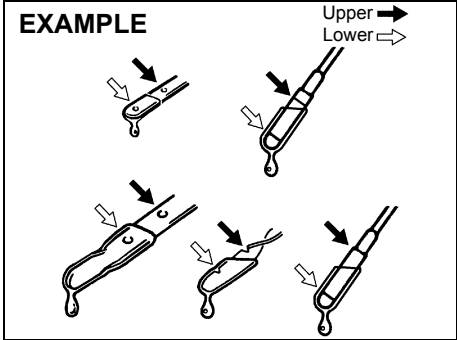


80G064

It is important to keep the engine oil at the correct level for proper lubrication of your vehicle's engine. Check the oil level with the vehicle on a level surface. The oil level indication may be inaccurate if the vehicle is on a slope. The oil level should be checked either before starting the engine or at least 5 minutes after stopping the engine.

The handle of the engine oil dipstick is colored yellow for easy identification.

Pull out the oil dipstick, wipe oil off with a clean cloth, insert the dipstick all the way into the engine, then remove it again. The oil on the stick should be between the upper and lower limits shown on the stick. If the oil level indication is near the lower limit, add enough oil to raise the level to the upper limit.

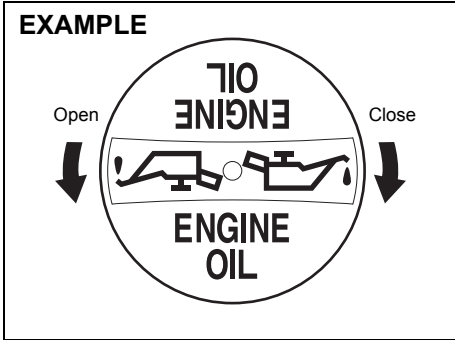


52D084

NOTICE

Failure to check the oil level regularly could lead to serious engine trouble due to insufficient oil.

Refilling



84MS0702

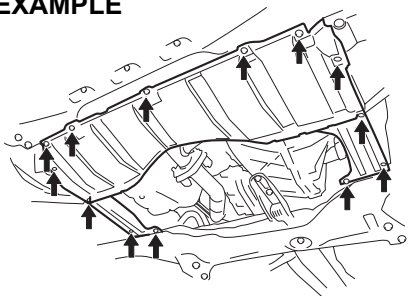
Remove the oil filler cap and pour oil slowly through the filler hole to bring the oil level to the upper limit on the dipstick. Be careful not to overfill. Too much oil is almost as bad as too little oil. After refilling, start the engine and allow it to idle for about a minute. Stop the engine, wait about 5 minutes and check the oil level again.

INSPECTION AND MAINTENANCE

Changing Engine Oil and Filter

Drain the engine oil while the engine is still warm.

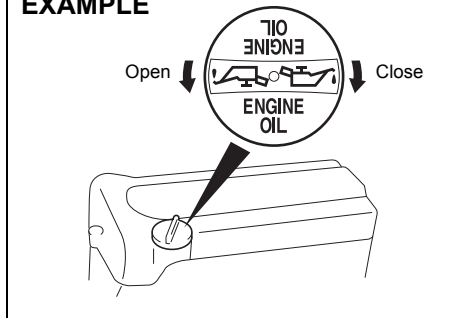
EXAMPLE



61MM0B061

- 1) Remove the bolts and screws, then remove the engine under cover.

EXAMPLE



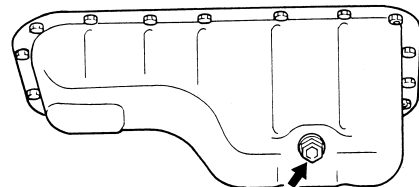
79MS0T703

- 2) Remove the oil filler cap.
- 3) Place a drain pan under the drain plug.
- 4) Using a wrench, remove the drain plug and drain out the engine oil.

CAUTION

The engine oil temperature may be high enough to burn your fingers when the drain plug is loosened. Wait until the drain plug is cool enough to touch with your bare hands.

EXAMPLE



60G306

Tightening torque for drain plug:
35 Nm (3.6 kg-m, 25.8 lb-ft)

WARNING

New and used oil can be hazardous. Children and pets may be harmed by swallowing new or used oil. Keep new and used oil and used oil filters away from children and pets. Repeated, prolonged contact with used engine oil may cause skin cancer. Brief contact with used oil may irritate skin.

(Continued)

WARNING

(Continued)

To minimize your exposure to used oil, wear a long-sleeve shirt and moisture-proof gloves (such as dishwashing gloves) when changing oil. If oil contacts your skin, wash thoroughly with soap and water.

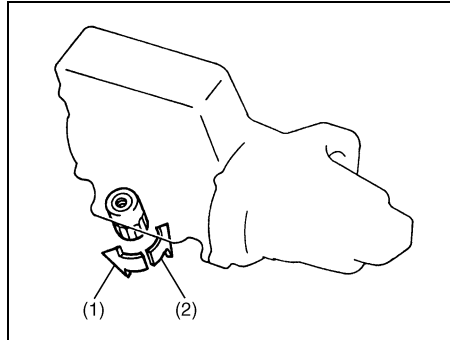
Launder any clothing or rags if wet with oil.

Recycle or properly dispose of used oil and filters.

- 5) Reinstall the drain plug with new gasket. Tighten the plug with a wrench to the specified torque.

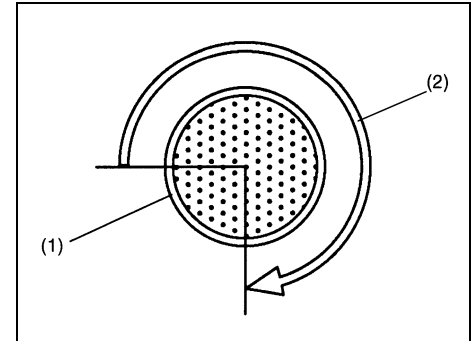
Replace the Oil Filter

- 1) Using an oil filter wrench, turn the oil filter counterclockwise and remove it.
- 2) Using a clean rag, wipe off the mounting surface on the engine where the new filter will be seated.
- 3) Smear a little engine oil around the rubber gasket of the new oil filter.
- 4) Screw on the new filter by hand until the filter gasket contacts the mounting surface.



- (1) Loosen
- (2) Tighten

Tightening (viewed from filter top)



54G093

- (1) Oil filter
- (2) 3/4 turn

NOTICE

To tighten the oil filter properly, it is important to accurately identify the position at which the filter gasket first contacts the mounting surface.

- 5) Tighten the filter specified turn from the point of contact with the mounting surface (or to the specified torque) using an oil filter wrench.

Tightening torque for oil filter:
3/4 turn or
14 Nm (1.4 kg-m, 10.3 lb-ft)

NOTICE

To prevent oil leakage, make sure that the oil filter is tight, but do not over-tighten it.

Refill with Oil and Check for Leaks

- 1) Pour oil through the filler hole and install the filler cap.
For the approximate capacity of the oil, refer to the "Capacities" item in the "SPECIFICATIONS" section.
- 2) Start the engine and look carefully for leaks at the oil filter and drain plug. Run the engine at various speeds for at least 5 minutes.
- 3) Stop the engine and wait about 5 minutes. Check the oil level again and add oil if necessary. Check for leaks again.

NOTICE

- **When replacing the oil filter, it is recommended that you use a genuine SUZUKI replacement filter. If you use an aftermarket filter, make sure it is of equivalent quality and follow the manufacturer's instructions.**
- **Oil leaks from around the oil filter or drain plug indicate incorrect installation or gasket damage. If you find any leaks or are not sure that the filter has been properly tightened, have the vehicle inspected by your SUZUKI dealer.**

Engine Coolant

Selection of Coolant

NOTICE

SUZUKI LLC: Super (Blue) coolant; SUZUKI LLC: Super (Blue) coolant is already diluted to the proper percentage. Do not dilute with distilled water additionally. Doing so may result in the possibility of freezing coolant and/or overheating.

To maintain optimum performance and durability of your engine, use SUZUKI Genuine Coolant or equivalent.

NOTE:

If you replace the engine coolant other than the SUZUKI LLC: Super (Blue), follow the schedule of SUZUKI LLC: Standard (Green). To see the detail of the maintenance schedule, refer to "Periodic Maintenance Schedule" in this section.

This type of coolant is best for your cooling system as it:

- Helps maintain proper engine temperature.
- Gives proper protection against freezing and boiling.
- Gives proper protection against corrosion and rust.

Failure to use the proper coolant can damage your cooling system. Your authorized SUZUKI dealer can help you select the proper coolant.

NOTICE

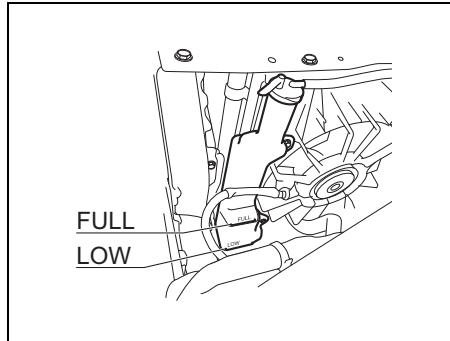
To avoid damaging your cooling system:

- Always use a high quality ethylene glycol base non-silicate type coolant diluted with distilled water at the correct mixture concentration.
- Make sure that the proper mix is 50/50 coolant to distilled water and in no case higher than 70/30. Concentrations greater than 70/30 coolant to distilled water will cause overheating conditions.
- Do not use straight coolant nor plain water (except SUZUKI LLC: Super (Blue)).
- Do not add extra inhibitors or additives. They may not be compatible with your cooling system.
- Do not mix different types of base coolants. Doing so may result in accelerated seal wear and/or the possibility of severe overheating and extensive engine/automatic transaxle damage.

Coolant Level Check

Check the coolant level at the reservoir tank, not at the radiator. With the engine cool, the coolant level should be between the "FULL" and "LOW" marks.

Adding Coolant



79MH0701

If the coolant level is below the "LOW" mark, more coolant should be added. Remove the reservoir tank cap and add coolant until the reservoir tank level reaches the "FULL" mark. Never fill the reservoir tank above the "FULL" mark.

⚠ WARNING

Swallowing engine coolant can cause severe injury or death. Inhaling coolant mist or vapors or getting coolant in your eyes could result in severe injury.

- Do not drink antifreeze or coolant solution. If swallowed, do not induce vomiting. Immediately contact a poison control center or a physician.
- Avoid inhaling coolant mist or hot vapors. If inhaled, remove to a fresh air area.
- If coolant gets in the eyes, flush with water and seek medical attention.
- Wash thoroughly after handling coolant.
- Keep engine coolant out of the reach of children and pets.

NOTICE

SUZUKI LLC: Super (Blue) coolant; SUZUKI LLC: Super (Blue) coolant is already diluted to the proper percentage. Do not dilute with distilled water additionally. Doing so may result in the possibility of freezing coolant and/or overheating.

NOTICE

SUZUKI LLC: Standard (Green) coolant;

- The mixture you use should contain 50% concentration of anti-freeze.
- If the lowest ambient temperature in your area is expected to be -35°C (-31°F) or below, use higher concentrations up to 60% following the instructions on the antifreeze container.

NOTICE

When putting the cap on the reservoir tank, line up the mark on the cap and the mark on the tank. Failure to follow this can result in coolant leakage.

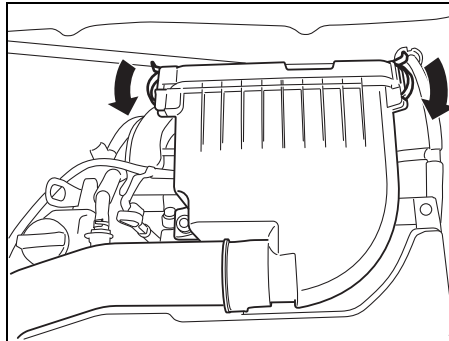
Coolant Replacement

Since special procedures are required, we recommend you take your vehicle to your SUZUKI dealer for coolant replacement.

Air Cleaner

If the air cleaner is clogged with dust, there will be greater intake resistance, resulting in decreased power output and increased fuel consumption.

Unclamp the side clamps or loosen the screws, and remove the element from the air cleaner case. If it appears to be dirty, replace it with a new one. Clamp the side clamps or tighten the screws securely.



74LHT0713

Spark Plugs

Replacing and inspection spark plugs

Since special procedures, materials and tools are required, it is recommended that you trust this job to your authorized SUZUKI dealer.

Automatic Transaxle (AT) Fluid

Specified Fluid

Use an automatic transaxle fluid SUZUKI AT OIL AW-1.

Fluid Level Check

NOTICE

Driving with too much or too little fluid can damage the transaxle.

You must check the fluid level with the automatic transaxle fluid at normal operating temperature.

To check the fluid level:

- 1) To warm up the automatic transaxle fluid, drive the vehicle or idle the engine until the temperature gauge indicates normal operating temperature.
- 2) Then drive for ten more minutes.

NOTICE

Be sure to use the specified automatic transaxle fluid. Using automatic transaxle fluid other than SUZUKI AT OIL AW-1 may damage the automatic transaxle of your vehicle.

NOTE:

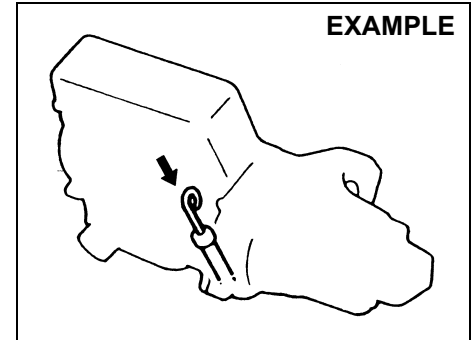
Do not check the fluid level if you have just driven the vehicle for a long time at high speed, or if you have driven in city traffic in hot weather. Wait until the fluid cools down (about 30 minutes), or the fluid level indication will not be correct.

- 3) Park your vehicle on level ground.
- 4) Apply the parking brake and then start the engine in "P" (Park). Let it idle for two minutes and keep it running during the fluid level check.
- 5) With your foot on the brake pedal, move the gearshift lever through each gear, pausing for about three seconds in each range. Then move it back to the "P" (Park) position.

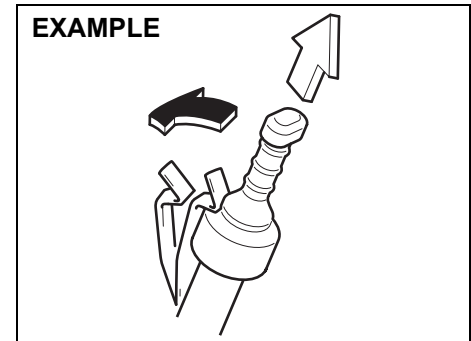


WARNING

Be sure to depress the brake pedal when moving the gearshift lever, or the vehicle can move suddenly.

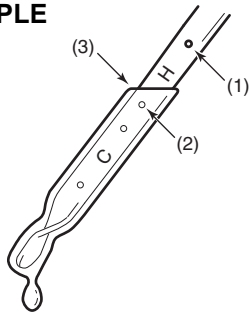


75F086



80J2071

EXAMPLE



57L20701

(1) FULL

(2) LOW

(3) The lowest point = Fluid level

- 6) The handle of the A/T fluid dipstick is colored orange for easy identification. Remove the dipstick, clean it and push it back in until the cap seats. Then pull out the dipstick.
- 7) Check both sides of the dipstick, and read the lowest level. The fluid level should be between the two marks in the hot range on the dipstick.

NOTICE

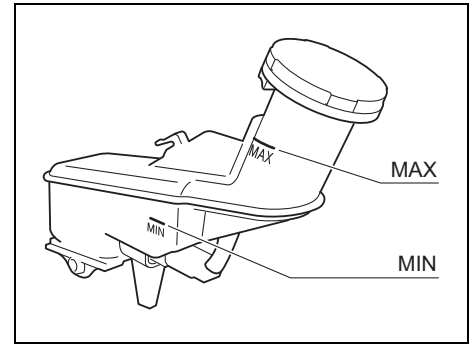
After checking or adding oil, be sure to insert the dipstick securely.

Deterioration Checking or Changing Oil

Since special procedures, materials and tools are required to check the deterioration of automatic transaxle oil or change, it is recommended that you trust this job to your authorized SUZUKI dealer.

Brakes

Brake Fluid



54MN132

Check the brake fluid level by looking at the reservoir in the engine compartment. Check that the fluid level is between the "MAX" and "MIN" lines. If the brake fluid level is near the "MIN" line, fill it up to the "MAX" line with SAE J1703 or DOT3 brake fluid.

⚠ WARNING

Failure to follow the guidelines below can result in personal injury or serious damage to the brake system.

- If the brake fluid in the reservoir drops below a certain level, the brake warning light on the instrument panel will come on (the engine must be running with the parking brake fully disengaged). Should the light come on, immediately ask your SUZUKI dealer to inspect the brake system.
- A rapid fluid loss indicates a leak in the brake system which should be inspected by your SUZUKI dealer immediately.
- Do not use any fluid other than SAE J1703 or DOT3 brake fluid. Do not use reclaimed fluid or fluid that has been stored in old or open containers. It is essential that foreign particles and other liquids are kept out of the brake fluid reservoir.

⚠ CAUTION

Brake fluid can harm your eyes and damage painted surfaces. Use caution when refilling the reservoir.

⚠ WARNING

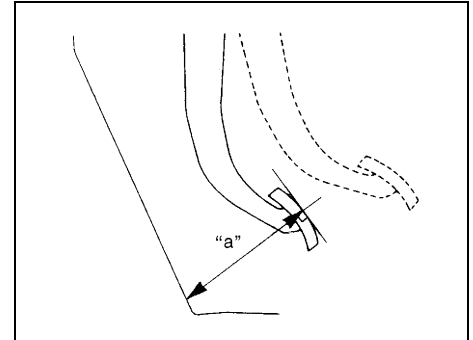
Brake fluid is harmful or fatal if swallowed, and harmful if it comes in contact with skin or eyes. If swallowed, do not induce vomiting. Immediately contact a poison control center or a physician. If brake fluid gets in eyes, flush eyes with water and seek medical attention. Wash thoroughly after handling. Solution can be poisonous to animals. Keep out of the reach of children and animals.

NOTE:

With disc brakes, the fluid level can be expected to gradually fall as the brake pads wear.

Brake Pedal

Check if the brake pedal stops at the regular height without “spongy” feeling when you depress it. If not, have the brake system inspected by your SUZUKI dealer. If you doubt the brake pedal for the regular height, check it as follows:



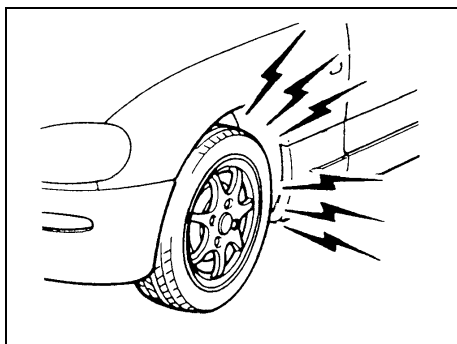
54G108

Pedal to floor carpet minimum distance “a”: 68 mm (2.7 in.)

With the engine running, measure the distance between the brake pedal and floor carpet when the pedal is depressed with approximately 30 kg (66 lbs) of force. The minimum distance required is as specified. Since your vehicle’s brake system is self-adjusting, there is no need for pedal adjustment. If the pedal to floor carpet distance as measured above is less than the minimum distance required, have your vehicle inspected by your SUZUKI dealer.

NOTE:

When measuring the distance between the brake pedal and floor wall, be sure not to include the floor mat or rubber on the floor wall in your measurement.



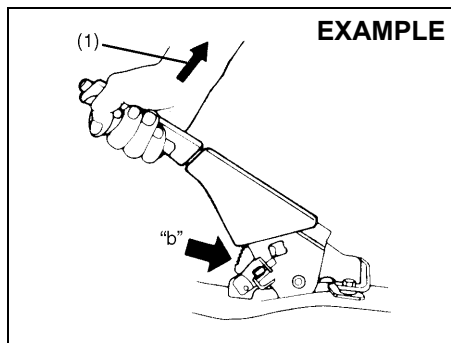
60G104S

⚠ WARNING

If you experience any of the following problems with your vehicle's brake system, have the vehicle inspected immediately by your SUZUKI dealer.

- Poor braking performance
- Uneven braking (brakes not working uniformly on all wheels.)
- Excessive pedal travel
- Brake dragging
- Excessive noise

Parking Brake



54G109

Ratchet tooth specification "b":
4th – 9th
Lever pull force (1):
200 N (20 kg, 45 lbs)

Check the parking brake for proper adjustment by counting the number of clicks made by the ratchet teeth as you slowly pull up on the parking brake lever to the point of full engagement. The parking brake lever should stop between the specified ratchet teeth and the rear wheels should be securely locked. If the parking brake is not properly adjusted or the brakes drag after the lever has been fully released, have the parking brake inspected and/or adjusted by your SUZUKI dealer.

Brake Discs and Brake Drums

Brake disc

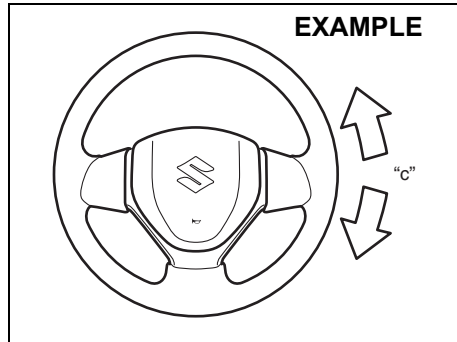
Brake location	Minimum thickness
Front wheels	18.0 mm (0.7 in.)

Brake drum

Brake location	Maximum inner diameter
Rear wheels	202 mm (7.95 in.)

If the measured thickness or inner diameter of the most worn part exceeds the value indicated above, the parts should be replaced with a new one. The measurement involves disassembling each brake and requires the use of a micrometer or caliper, which must be done according to the instructions described in the relevant service manual or available from the relevant repair information site.

Steering



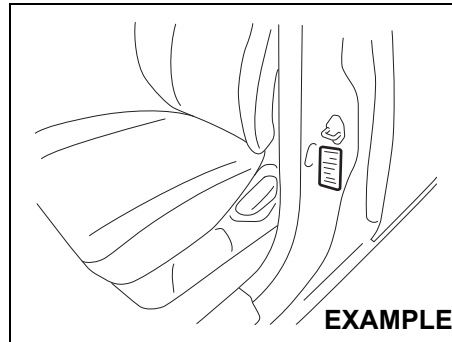
68LM708

Steering wheel play "c": 0 – 30 mm (0.0 – 1.2 in.)

Check the play of the steering wheel by gently turning it from left to right and measuring the distance that it moves before you feel slight resistance. The play should be between the specified values.

Check that the steering wheel turns easily and smoothly without rattling by turning it all the way to the right and to the left while driving very slowly in an open area. If the amount of free play is outside the specification or you find anything else to be wrong, an inspection must be performed by your SUZUKI dealer.

Tires



80JS025

The front and rear tire pressure specifications for your vehicle are listed on the Tire Information Label. Both the front and rear tires should have the specified tire pressure. Note that the value does not apply to the compact spare tire, if equipped.

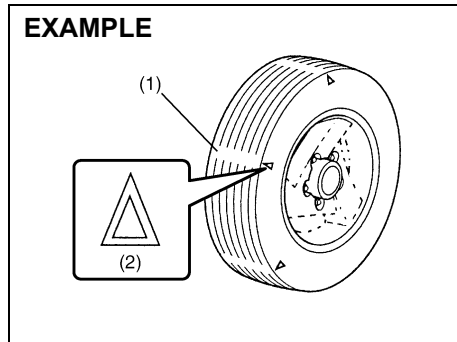
Tire Inspection

Inspect your vehicle's tires at least once a month by performing the following checks:

- 1) Measure the air pressure with a tire gauge. Adjust the pressure if necessary. Remember to check the spare tire, too.

▲ WARNING

- Air pressures should be checked when the tires are cold or you may get inaccurate readings.
- Check the inflation pressure from time to time while inflating the tire gradually, until the specified pressure is obtained.
- Never underinflate or overinflate the tires. Underinflation can cause unusual handling characteristics or can cause the rim to slip on the tire bead, resulting in an accident or damage to the tire or rim. Overinflation can cause the tire to burst, resulting in personal injury. Overinflation can also cause unusual handling characteristics which may result in an accident.



54G136

- (1) Tread wear indicator
(2) Indicator location mark
- 2) Check that the depth of the tread groove is more than 1.6 mm (0.06 in.). To help you check this, the tires have molded-in tread wear indicators in the grooves. When the indicators appear on the tread surface, the remaining depth of the tread is 1.6 mm (0.06 in.) or less and the tire should be replaced.
 - 3) Check for abnormal wear, cracks and damage. Any tires with cracks or other damage should be replaced. If any tires show abnormal wear, have them inspected by your SUZUKI dealer.

CAUTION

Hitting curbs and running over rocks can damage tires and affect wheel alignment. Be sure to have tires and wheel alignment checked periodically by your SUZUKI dealer.

- 4) Check for loose wheel nuts.
- 5) Check that there are no nails, stones or other objects sticking into the tires.

WARNING

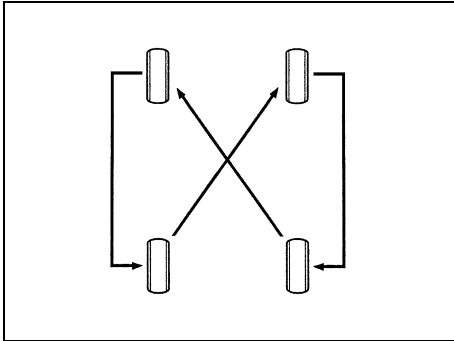
- Your SUZUKI is equipped with tires which are all the same type and size. This is important to ensure proper steering and handling of the vehicle. Never mix tires of different size or type on the four wheels of your vehicle. The size and type of tires used should be only those approved by SUZUKI as standard or optional equipment for your vehicle.
- Replacing the wheels and tires equipped on your vehicle with certain combinations of aftermarket wheels and tires can significantly change the steering and handling characteristics of your vehicle.
- Therefore, use only those wheel and tire combinations approved by SUZUKI as standard or optional equipment for your vehicle.

NOTICE

Replacing the original tires with tires of a different size may result in false speedometer or odometer readings. Check with your SUZUKI dealer before purchasing replacement tires that differ in size from the original tires.

Tire Rotation

4-tire rotation (Vehicle with 195/55R16 87H tire)



54G114

To avoid uneven wear of your tires and to prolong their life, rotate the tires as illustrated. Tires should be rotated every 10000 km (6000 miles). After rotation, adjust front and rear tire pressures to the specification listed on your vehicle's Tire Information Label.

Temporary Spare Tire (if equipped)

Your vehicle comes equipped with the temporary spare tire. It is only intended for temporary emergency use, until the conventional tire can be repaired or replaced. The inflation pressure of the temporary spare tire should be checked at least monthly. At the same time, check that the tire is stored securely. If it is not, tighten it.

Note that two or more temporary spare tires should not be used on one vehicle simultaneously.

⚠ WARNING

The temporary spare tire and wheel are intended for temporary emergency use only. Continuous use of this spare can result in tire failure and loss of control. Always observe these precautions when using this spare:

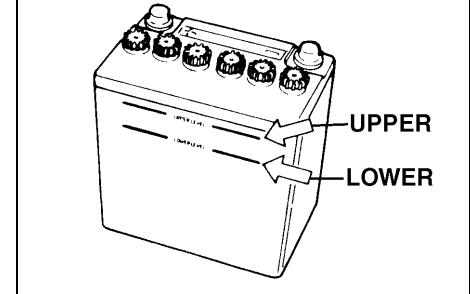
- Your vehicle will handle differently with this temporary spare.
- Do not exceed 120 km/h (75 mph) speed (only vehicle with 195/55R16 87H tire).
- Replace this spare with a standard tire and wheel as soon as possible.
- Use of this spare will reduce ground clearance.
- Set the specified tire pressure indicated on the tire information label located on the driver's door lock pillar.
- Do not use tire chains on the temporary spare. If you must use tire chains, rearrange the wheels so standard tires and wheels are fitted to the front axle.
- The temporary spare tire has a much shorter tread life than the conventional tires on your vehicle. Replace the tire as soon as the tread wear indicator appears.
- When replacing the temporary spare tire, use a replacement tire with the exact same size and construction.

Battery

⚠ WARNING

- Batteries produce flammable hydrogen gas. Keep flames and sparks away from the battery or an explosion may occur. Never smoke when working in the vicinity of the battery.
- When checking or servicing the battery, disconnect the negative cable. Be careful not to cause a short circuit by allowing metal objects to contact the battery posts and the vehicle at the same time.
- To avoid harm to yourself or damage to your vehicle or battery, follow the jump starting instructions in the "EMERGENCY SERVICE" section of this manual if it is necessary to jump start your vehicle.
- Diluted sulfuric acid spilled from battery can cause blindness or severe burns. Use proper eye protection and gloves. Flush eyes or body with ample water and get medical care immediately if suffered. Keep batteries out of the reach of children.

EXAMPLE

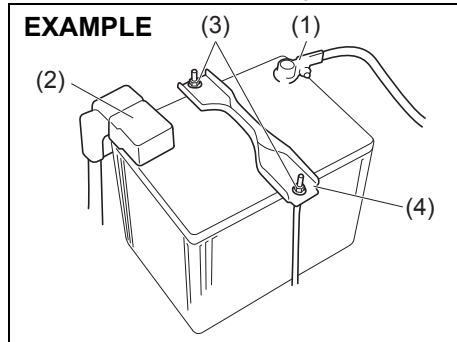


54G118

For maintenance-free battery (cap-less type), you need not add water. For traditional type battery, which has water filler caps, the level of the battery solution must be kept between the "MAX" and the "MIN" level lines at all times. If the level is found to be below the "MIN" level line, add distilled water to the "MAX" level line. You should periodically check the battery, battery terminals, and battery hold-down bracket for corrosion. Remove corrosion using a stiff brush and ammonia mixed with water, or baking soda mixed with water. After removing corrosion, rinse with clean water.

If your vehicle is not going to be driven for a month or longer, disconnect the cable from the negative terminal of the battery to help prevent discharge.

Replacement of the battery



79MS0T701

To remove the battery:

- 1) Disconnect the negative cable (1).
- 2) Disconnect the positive cable (2).
- 3) Remove the retainer nuts (3) and remove the retainer (4).
- 4) Remove the battery.

To install the battery:

- 1) Install the battery in the reverse order of removal.
- 2) Tighten the bracket bolt and battery cables securely.

NOTE:

When the battery is disconnected, some of the vehicle's function will be initialized and/or deactivated.

These function are required to reset after the battery is reconnected.

Fuses

Your vehicle has three types of fuses, as described below:

Main fuse

The main fuse takes current directly from the battery.

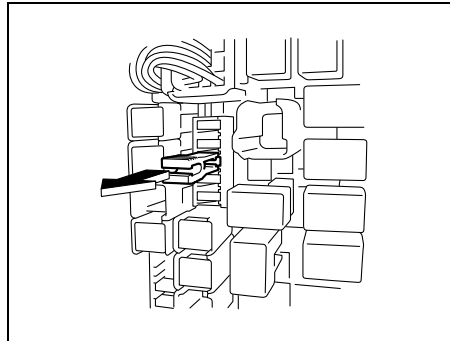
Primary fuses

These fuses are between the main fuse and individual fuses, and are for electrical load groups.

Individual fuses

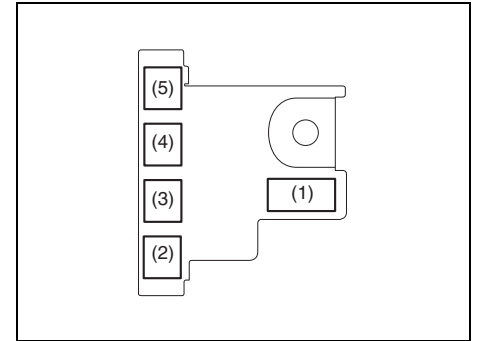
These fuses are for individual electrical circuits.

To remove a fuse, use the fuse puller provided in the fuse box.

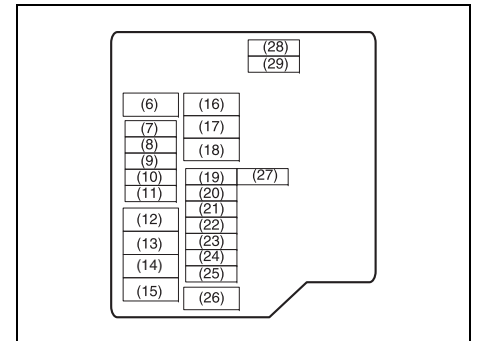


63J095

Fuses in the Engine Compartment



79MS00706



79MS00707

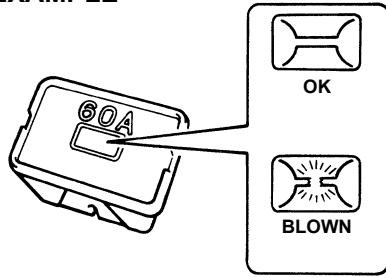
INSPECTION AND MAINTENANCE

MAIN FUSE / PRIMARY FUSE		
(1)	100 A	FL1
(2)	100 A	FL2
(3)	100 A	FL3
(4)	50 A	FL4
(5)	–	Blank
(6)	50 A	Ignition switch -2
(7)	–	Blank
(8)	15 A	Automatic transaxle
(9)	–	Blank
(10)	10 A	Air compressor
(11)	15 A	FI
(12)	–	Blank
(13)	60 A	Power steering
(14)	30 A	Radiator fan
(15)	30 A	Radiator fan sub fan
(16)	30 A	Blower fan
(17)	30 A	Starting motor
(18)	40 A	ABS motor
(19)	30 A	Accessory
(20)	15 A	Headlight Lo (Left)
(21)	15 A	Headlight Lo (Right)

(22)	25 A	ABS control module
(23)	–	Blank
(24)	20 A	Front fog light
(25)	25 A	Headlight
(26)	40 A	Ignition switch
(27)	7.5 A	Starting Signal
(28)	15 A	Headlight high (Left)
(29)	15 A	Headlight high (Right)

The main fuse, primary fuses and some of the individual fuses are located in the engine compartment. If the main fuse blows, no electrical component will function. If a primary fuse blows, no electrical component in the corresponding load group will function. When replacing the main fuse, a primary fuse or an individual fuse, use a genuine SUZUKI replacement. To remove a fuse, use the fuse puller provided in the fuse box. The amperage of each fuse is shown in the back of the fuse box cover.

EXAMPLE



60G111

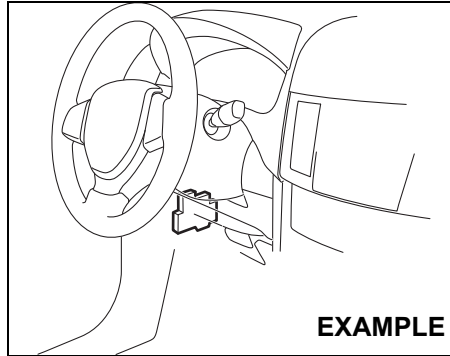
⚠ WARNING

If the main fuse or a primary fuse blows, be sure to have your vehicle inspected by an authorized SUZUKI dealer. Always use a genuine SUZUKI replacement. Never use a substitute such as a wire even for a temporary repair, or extensive electrical damage and a fire can result.

NOTE:

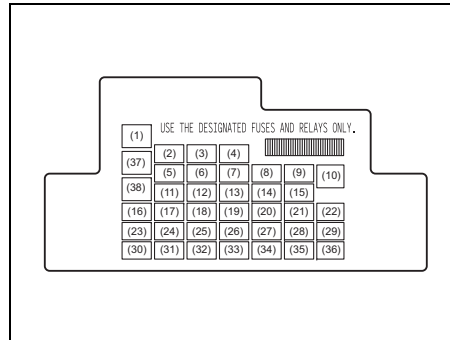
Make sure that the fuse box always carries spare fuses.

Fuses under the Dash Board



EXAMPLE

79PS1A701



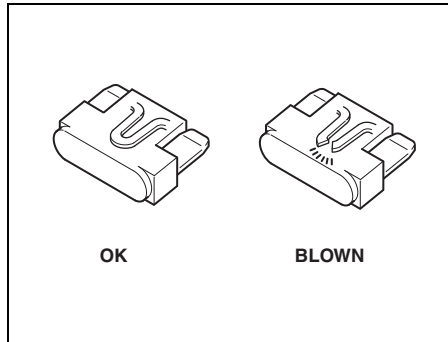
71LS10702

PRIMARY FUSE

(1)	–	Blank
(2)	20 A	Power window
(3)	20 A	Steering lock
(4)	20 A	Rear defogger
(5)	–	Blank
(6)	–	Blank
(7)	–	Blank
(8)	7.5 A	Starting Signal
(9)	15 A	ACC-2
(10)	30 A	Power window
(11)	10 A	Hazard
(12)	7.5 A	BCM
(13)	15 A	Ignition coil
(14)	10 A	ABS control module
(15)	15 A	ACC
(16)	–	Blank
(17)	15 A	Horn
(18)	10 A	Stop light
(19)	10 A	Air bag
(20)	10 A	Back-up light

INSPECTION AND MAINTENANCE

(21)	15 A	FR Washer motor
(22)	25 A	Front wiper
(23)	7.5 A	Dome light
(24)	–	Blank
(25)	7.5 A	Rear fog light
(26)	–	Blank
(27)	7.5 A	Ignition-1 signal
(28)	–	Blank
(29)	–	Blank
(30)	15 A	Radio
(31)	10 A	Tail lamp
(32)	20 A	Door lock
(33)	–	Blank
(34)	10 A	Meter
(35)	7.5 A	Ignition-2 signal
(36)	–	Blank
(37)	–	Blank
(38)	–	Blank



81A283

WARNING

Always be sure to replace a blown fuse with a fuse of the correct amperage. Never use a substitute such as aluminum foil or wire to replace a blown fuse. If you replace a fuse and the new one blows in a short period of time, you may have a major electrical problem. Have your vehicle inspected immediately by your SUZUKI dealer.

Headlight Aiming

Since special procedures are required, we recommend you take your vehicle to your SUZUKI dealer for headlight alignment.

Bulb Replacement

CAUTION

- Light bulbs can be hot enough to burn your finger right after being turned off. This is true especially for halogen headlight bulbs. Replace the bulbs after they become cool enough.
- The headlight bulbs are filled with pressurized halogen gas. They can burst and injure you if they are hit or dropped. Handle them carefully.
- To avoid injury by sharp-edged parts of the body, wear gloves and a long-sleeved shirt when replacing light bulbs.

NOTICE

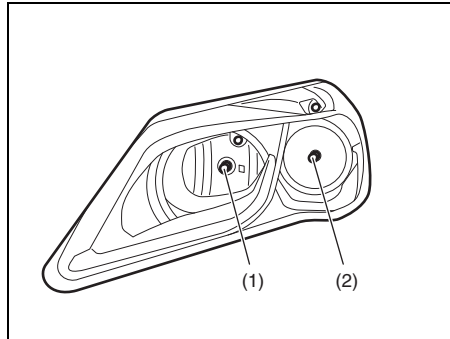
The oils from your skin may cause a halogen bulb to overheat and burst when the lights are on. Grasp a new bulb with a clean cloth.

NOTICE

Frequent replacement of a bulb indicates the need for an inspection of the electrical system. This should be carried out by your SUZUKI dealer.

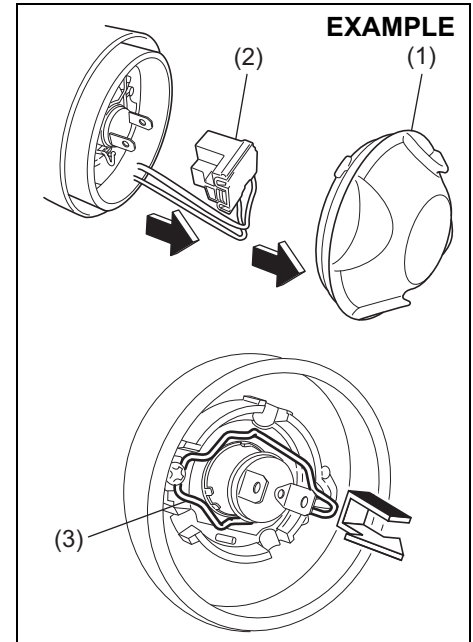
Headlights

Halogen headlights



79MH0704

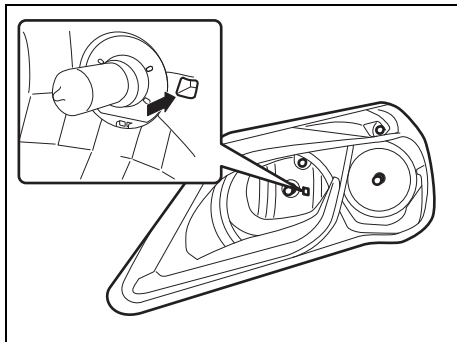
- (1) Headlight (High Beam)
 (2) Headlight (Low Beam)



79MS0702

Open the engine hood. Remove the cover (1) and disconnect the coupler (2). Push the retaining spring (3) forward and unhook it. Then remove the bulb. Install a new bulb in the reverse order of removal.

INSPECTION AND MAINTENANCE



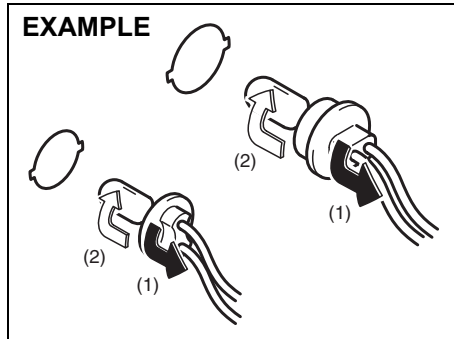
79MH0706

NOTE:

You can see the position of retaining spring from the hole of headlight.

Other General Lights

Bulb holder



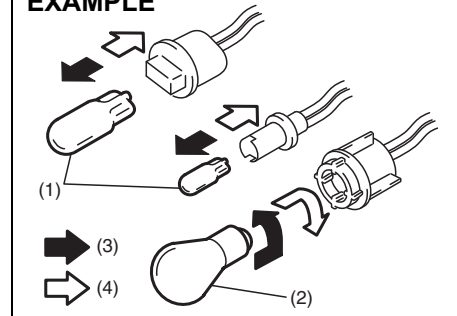
54G123

- (1) Removal
- (2) Installation

To remove a bulb holder from a light housing, turn the holder counterclockwise and pull it out. To install the holder, push the holder in and turn it clockwise.

Bulb

EXAMPLE



54G124

- (3) Removal
- (4) Installation

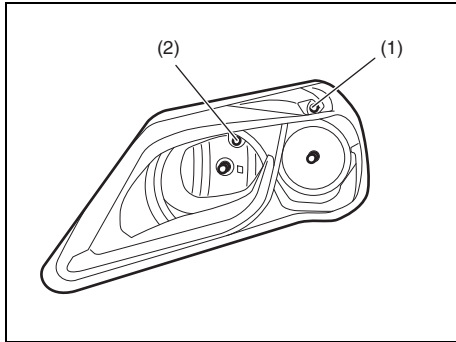
There are two types of bulb, "Full glass type" (1) and "Glass/metal type" (2).

To remove and install a full glass type bulb (1), simply pull out or push in the bulb.

To remove a glass metal type bulb (2) from a bulb holder, push in the bulb and turn it counterclockwise. To install a new bulb, push it in and turn it clockwise.

You can access the individual bulb or bulb holders as follows.

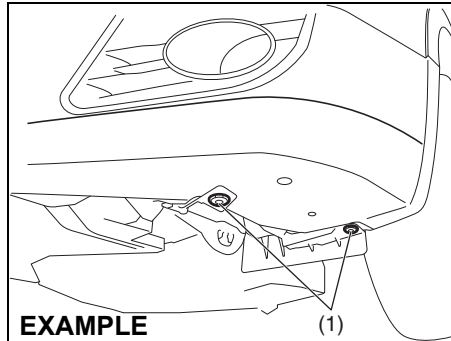
Front Turn Signal Light (1) Front Position Light (2)



79MH0707

Front Fog Light (if equipped)

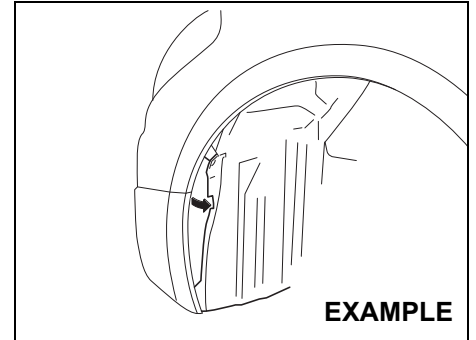
- 1) Start the engine. Turn the steering wheel to the opposite side of the replacing fog light to replace the bulb easily. Then turn off the engine.



EXAMPLE

79MH0752

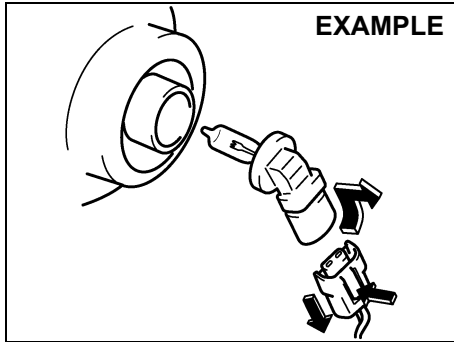
- 2) Remove the clips (1).



EXAMPLE

61MM0B081

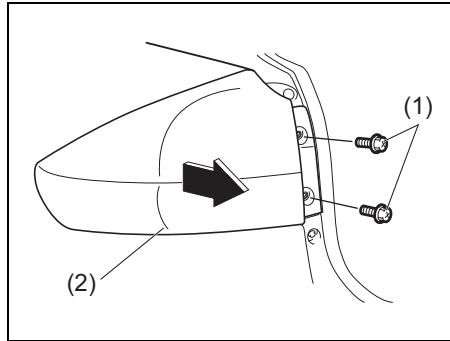
- 3) Open the end of the cover inside the fender.



80JM071

- 4) Disconnect the coupler by pushing the lock release. Turn the bulb holder counterclockwise and remove it.

Rear Combination Light

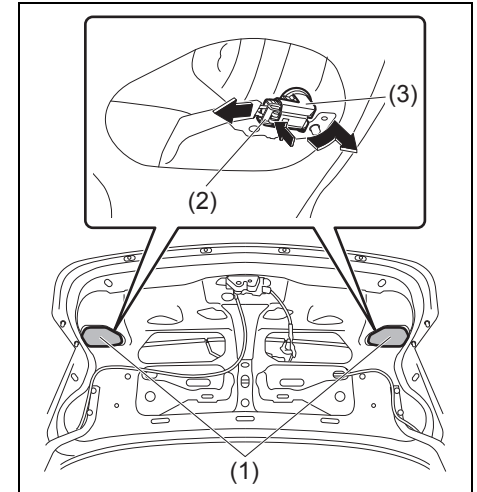


79MH0753

Remove the bolts (1) and pull the light housing (2) straight.

Reversing Light

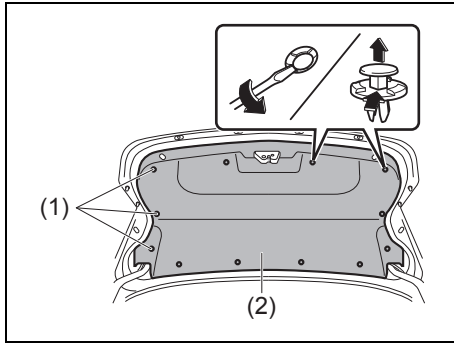
(Vehicle without trunk trim)



79MS0704

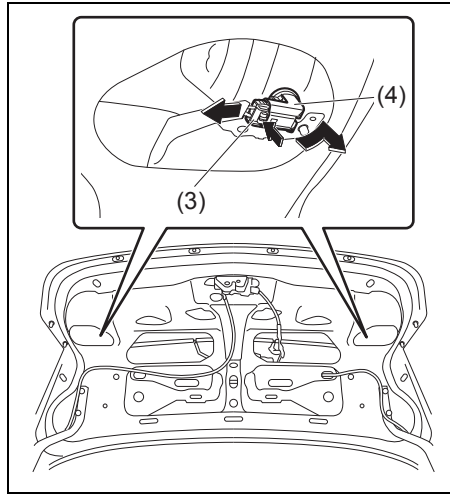
Open the trunk lid and remove the cover (1). Disconnect the coupler (2) by pushing the lock release. Turn the bulb holder (3) counterclockwise and remove it.

(Vehicle with trunk trim)



79MS0T705

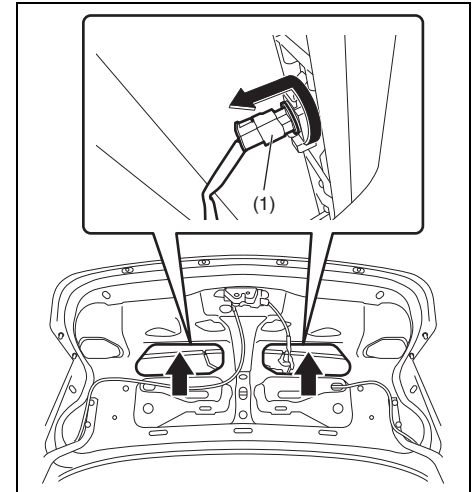
- 1) Open the trunk lid. Remove the clips (1) by prying it off with a flat blade screwdriver as shown in the illustration. Then, pull out the trim (2).



79MS0T706

- 2) Disconnect the coupler (3) by pushing the lock release. Turn the bulb holder (4) counterclockwise and remove it.

License Plate Light



79MH0755

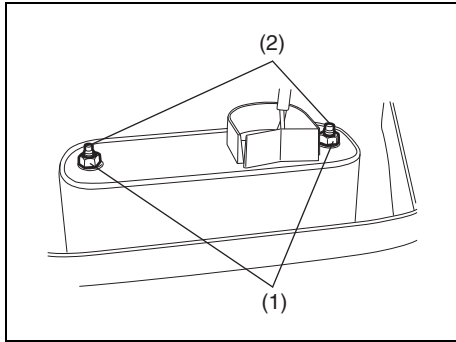
Open the trunk lid and remove the trunk trim (if equipped). Remove the bulb holder (1), turn the holder counterclockwise and remove it.

NOTE:

The method to removing trunk trim, refer to the procedure for the bulb replacement of the "Reversing Light" described above.

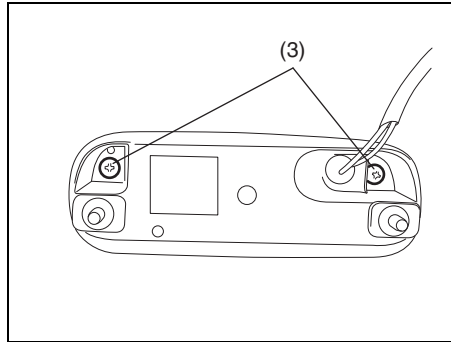
INSPECTION AND MAINTENANCE

Rear Fog Light (if equipped)



79MS1R701

- 1) Remove the nuts (1) as shown in the illustration.
- 2) Remove the rear fog light by pushing the bolt (2).



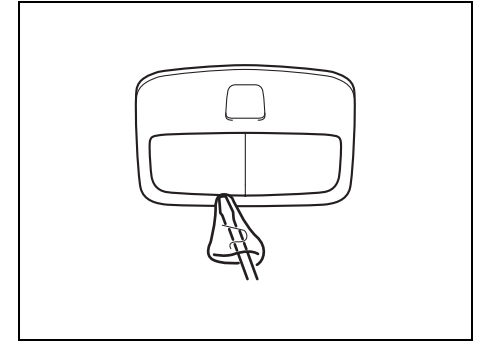
60MH056

- 3) Remove the bolts (3) and open the cover.

Interior Light

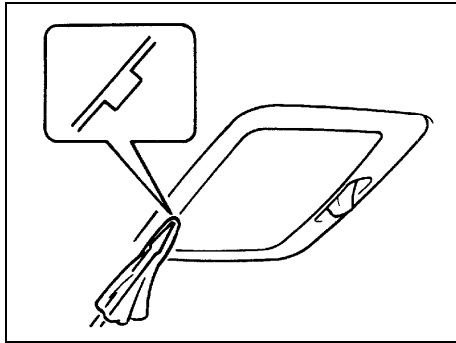
Remove the lens by using a flat blade screwdriver covered with a soft cloth as shown. To install it, simply push it back in.

Front



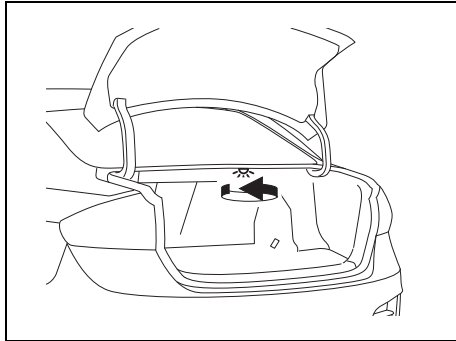
61MM0A207

Center



60G115

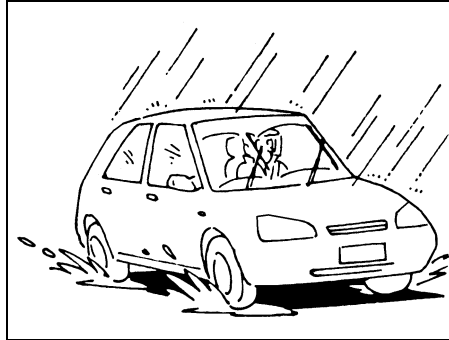
Trunk lid light



79MS00702

- 1) Open the trunk lid and remove the lens by turning it counterclockwise.
- 2) Replace the bulb, then perform the operations in 1) in the reverse order to restore the original state.

Wiper Blades



54G129

If the wiper blades become brittle or damaged, or make streaks when wiping, replace the wiper blades.

To install new wiper blades, follow the procedures below.

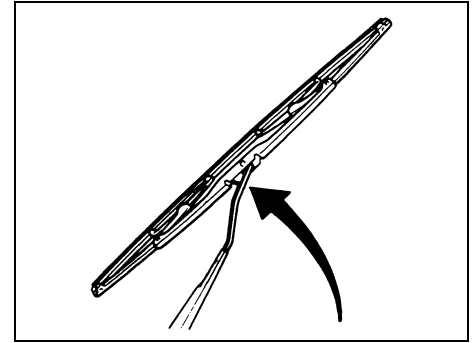
NOTICE

To avoid scratching or breaking the window, do not let the wiper arm strike the window while replacing the wiper blade.

NOTE:

Some wiper blades may be different from the ones described here depending on vehicle specifications. If so, consult your SUZUKI dealer for proper replacement method.

For windshield wipers:



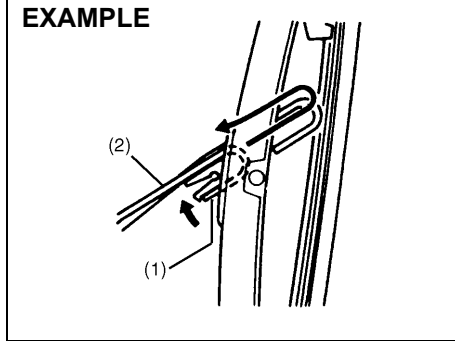
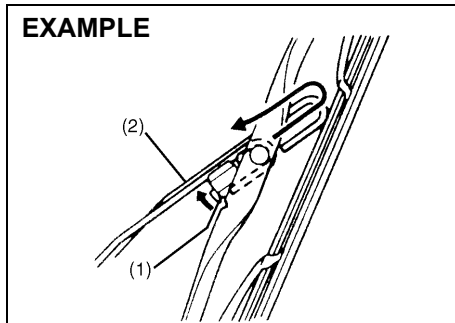
70G119

- 1) Hold the wiper arm away from the window.

NOTE:

When raising both of the front wiper arms, pull the driver's side wiper arm up first. When returning the wiper arms, lower the passenger's side wiper arm first. Otherwise, the wiper arms may interfere with each other.

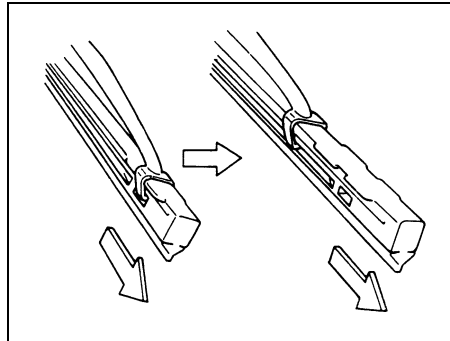
INSPECTION AND MAINTENANCE



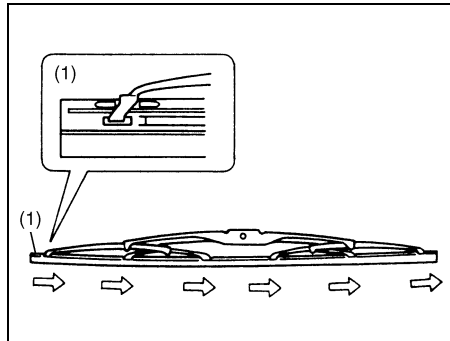
54G130

- 2) Squeeze lock (1) towards wiper arm (2) and remove the wiper frame from the arm as shown.
- 3) Unlock the lock end of the wiper blade and slide the blade out as shown.

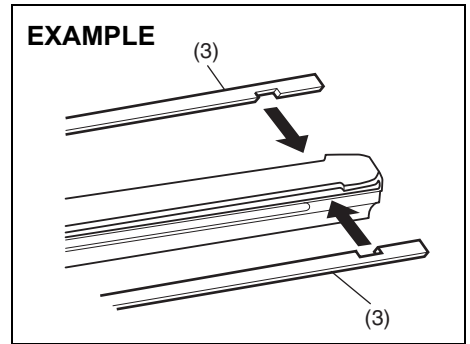
Removal



Installation



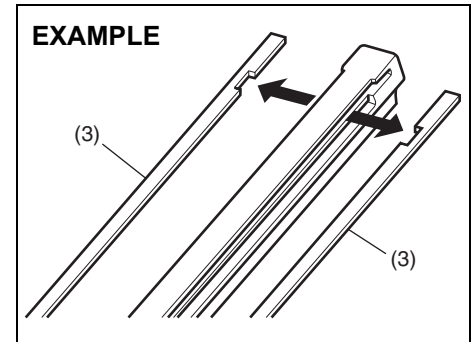
(1) Locked end



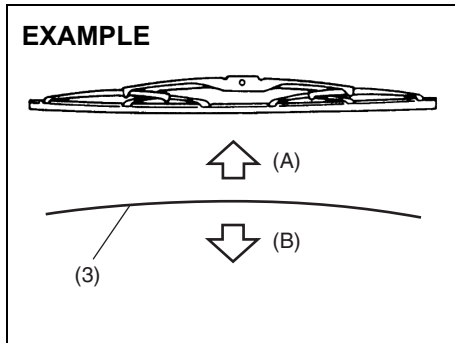
79MH0756

(3) Retainer

- 4) If the new blade is provided without the two metal retainers, move them from the old blade to the new one.



79MH0757



60MH072

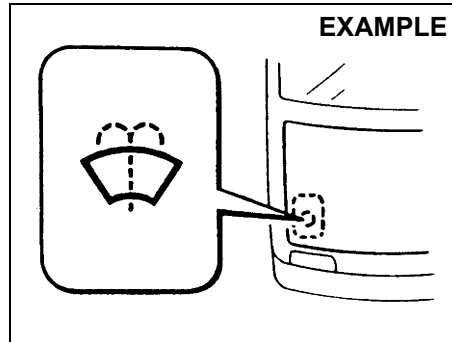
- (A) Up
(B) Down

NOTE:

When you install the metal retainers (3), make sure the direction of metal retainers as shown in the above illustrations.

- 5) Install the new blade in the reverse order of removal, with the locked end positioned toward the wiper arm. Make sure the blade is properly retained by all the hooks. Lock the blade end into place.
- 6) Reinstall wiper frame to arm, making sure that the lock lever is snapped securely into the arm.

Windshield Washer Fluid



80JM078

Check that there is washer fluid in the tank. Refill it if necessary. Use a good quality windshield washer fluid, diluted with water as necessary.

⚠ WARNING

Do not use radiator antifreeze solution in the windshield washer reservoir. This can severely impair visibility when sprayed on the windshield, and also damage your vehicle's paint.

NOTICE

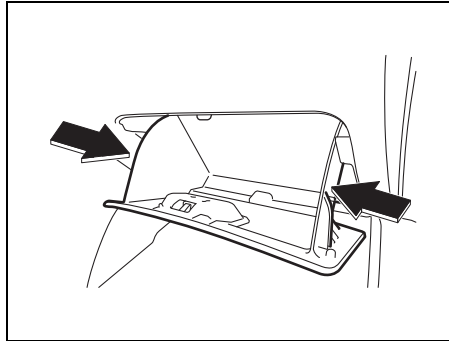
Damage may result if the washer motor is operated with no fluid in the washer tank.

Air Conditioning System

If you do not use the air conditioner for a long period, such as during winter, it may not give the best performance when you start using it again. To help maintain optimum performance and durability of your air conditioner, it needs to be run periodically. Operate the air conditioner at least once a month for one minute with the engine idling. This circulates the refrigerant and oil and helps protect the internal components.

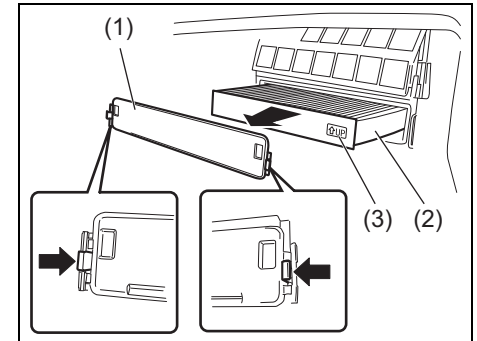
Replacement of the Air Conditioner Filter (if equipped)

Since special procedures are required, we recommend you take your vehicle to your SUZUKI dealer for the air conditioner filter replacement.



79PS1A702

- 1) To approach the air conditioner filter, press inward on both side of the groove box and remove it.



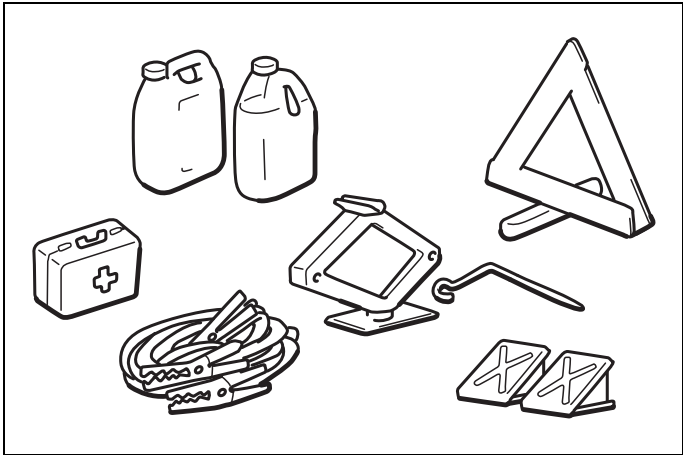
79PS1A703

- 2) Remove the cover (1) and pull out the air conditioner filter (2).

NOTE:

When you install a new filter, make sure the UP mark (3) faces upward.

EMERGENCY SERVICE

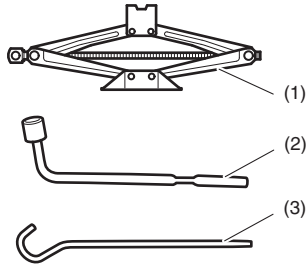


60G411

- Tire Changing Tool 8-1
- Jacking Instructions 8-1
- Changing Wheels 8-4
- Jump Starting Instructions 8-5
- Towing 8-6
- If the Starter Does Not Operate 8-6
- If the Engine is Flooded 8-7
- If the Engine Overheats 8-7

Tire Changing Tool

EXAMPLE



61MM0B100

- (1) Jack
- (2) Wheel brace
- (3) Jack handle

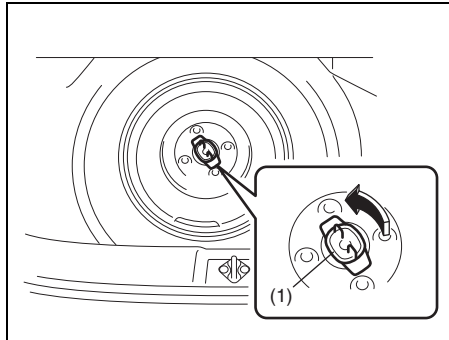
The tire changing tools are stowed in the luggage compartment. Refer to “Luggage Compartment” in the “ILLUSTRATED TABLE OF CONTENTS” section.

⚠ WARNING

After using the tire changing tools, be sure to stow them securely or they can cause injury if an accident occurs.

⚠ CAUTION

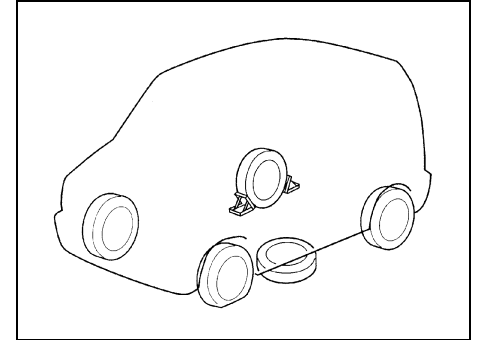
The jack should be used only to change wheels. It is important to read the jacking instructions in this section before attempting to use the jack.



76MH0A129

To remove the spare tire (if equipped), turn its bolt (1) counterclockwise and remove it.

Jacking Instructions



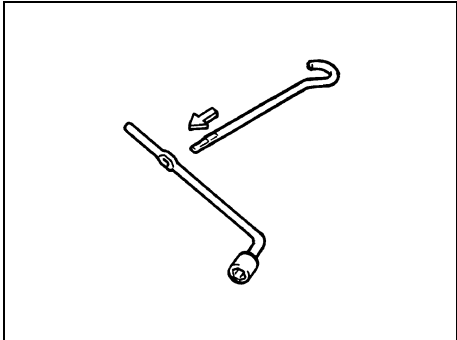
75F062

- 1) Place the vehicle on level, hard ground.
- 2) Set the parking brake firmly and shift into “P” (Park) if your vehicle has an automatic transaxle, or shift into “R” (Reverse) if your vehicle has a manual transaxle.

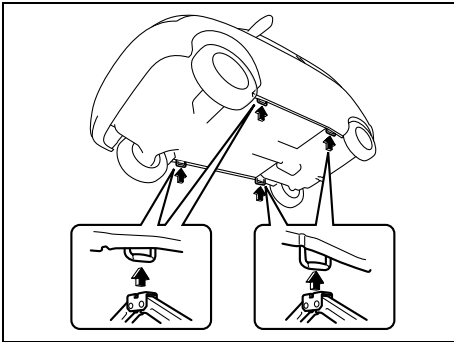
⚠ WARNING

- Be sure to shift into “P” (Park) for an automatic transaxle vehicle, or into “R” (Reverse) for a manual transaxle vehicle when you jack up the vehicle.
- Never jack up the vehicle with the transaxle in “N” (Neutral). Otherwise, unstable jack may cause an accident.

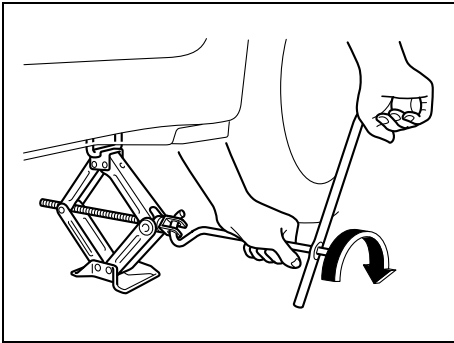
- 3) Turn on the hazard warning flasher if your vehicle is near traffic.
- 4) Block the front and rear of the wheel diagonally opposite of the wheel being lifted.
- 5) Place the spare wheel near the wheel being lifted as shown in the illustration in case that the jack slips.



54G253



63J100



63J101

- 6) Position the jack at an angle as shown in the illustration and raise the jack by turning the jack handle clockwise until the jack-head groove fits around the jacking bar beneath the vehicle body.

- 7) Continue to raise the jack slowly and smoothly until the tire clears the ground. Do not raise the vehicle more than necessary.

⚠ WARNING

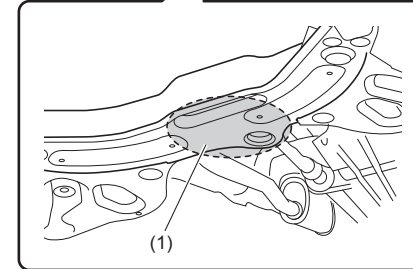
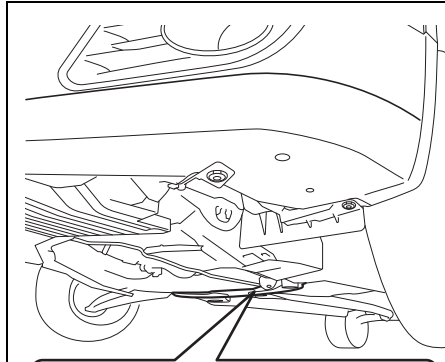
- Use the jack only to change wheels on level, hard ground.
- Never jack up the vehicle on an inclined surface.
- Never raise the vehicle with the jack in a location other than the specified jacking point (shown in the illustration) near the wheel to be changed.
- Make sure that the jack is raised at least 50 mm (2 inch) before it contacts the flange. Use of the jack when it is within 50 mm (2 inch) of being fully collapsed may result in failure of the jack.
- Never get under the vehicle when it is supported by the jack.
- Never run the engine when the vehicle is supported by the jack and never allow passengers to remain in the vehicle.

EMERGENCY SERVICE

To Raise the Vehicle with a Garage Jack

- Apply the garage jack to one of the points indicated below.
- Always support the raised vehicle with jack stands (commercially available) at the points indicated below.

Front jacking point for garage jack (1)

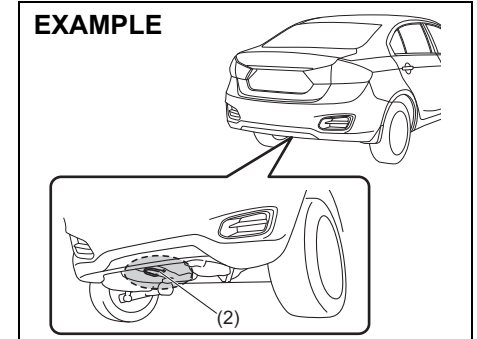


EXAMPLE

79MH0758

Rear jacking point for garage jack (2)

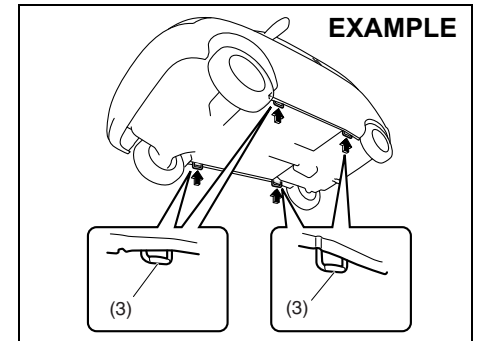
EXAMPLE



79MH0759

Application point for jack stand (3) or two-column lift

EXAMPLE



61MM0B103

NOTICE

Never apply a garage jack to the exhaust pipe, side under spoiler (if equipped), engine undercover or rear torsion beam.

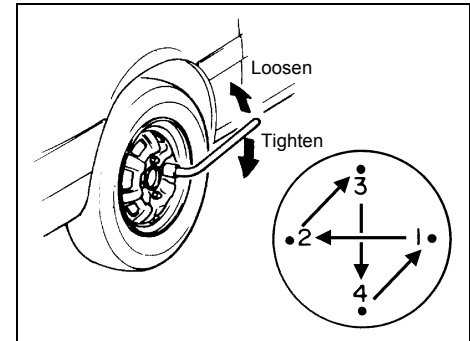
NOTE:

For more details, please contact an authorized SUZUKI dealer.

Changing Wheels

To change a wheel, use the following procedure:

- 1) Clear all passengers and luggage from the vehicle.
- 2) Remove the jack, tools and spare wheel from the vehicle.
- 3) Loosen, but do not remove the wheel nuts.
- 4) Jack up the vehicle.
- 5) Remove the wheel nuts and wheel.
- 6) Before installing the new wheel, clean any mud or dirt off from the surface of the wheel and hub with a clean cloth. Clean the hub carefully; it may be hot from driving.
- 7) Install the new wheel and replace the wheel nuts with their cone shaped end facing the wheel. Tighten each nut snugly by hand until the wheel is securely seated on the hub.



54G116

**Tightening torque for wheel nut
100 Nm (10.2 kg-m, 73.8 lb-ft)**

- 8) Lower the jack and fully tighten the nuts in a crisscross fashion with a wrench as shown in the illustration.

⚠ WARNING

Use genuine wheel nuts and tighten them to the specified torque as soon as possible after changing wheels. Incorrect wheel nuts or improperly tightened wheel nuts may come loose or fall off, which can result in an accident. If you do not have a torque wrench, have the wheel nut torque checked by an authorized SUZUKI dealer.

Jump Starting Instructions

WARNING

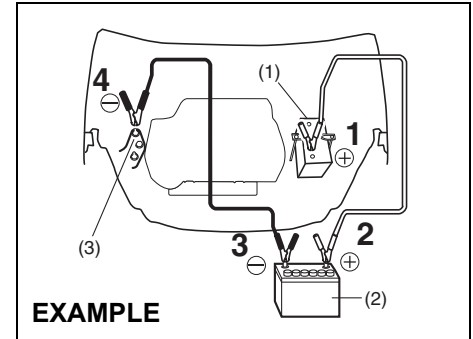
- Never attempt to jump start your vehicle if the battery appears to be frozen. Batteries in this condition may explode or rupture if jump starting is attempted.
- When making jump lead connections, be certain that your hands and the jump leads remain clear from pulleys, belts, or fans.
- Batteries produce flammable hydrogen gas. Keep flames and sparks away from the battery or an explosion may occur. Never smoke when working in the vicinity of the battery.
- If the booster battery you use for jump starting is installed in another vehicle, make sure the two vehicles are not touching each other.
- If your battery discharges repeatedly, for no apparent reason, have your vehicle inspected by an authorized SUZUKI dealer.
- To avoid harm to yourself or damage to your vehicle or battery, follow the jump starting instructions below precisely and in order. If you are in doubt, call for qualified road service.

NOTICE

Your vehicle should not be started by pushing or towing. This starting method could result in permanent damage to the catalytic converter. Use jump leads to start a vehicle with a weak or flat battery.

When Jump Starting Your Vehicle, Use the Following Procedure:

- 1) Use only a 12-volt battery to jump start your vehicle. Position the good 12-volt battery close to your vehicle so that the jump leads will reach both batteries. When using a battery installed on another vehicle, DO NOT LET THE VEHICLES TOUCH. Set the parking brakes fully on both vehicles.
- 2) Turn off all vehicle accessories, except those necessary for safety reasons (for example, headlights or hazard lights).



71LS30801

- 3) Make jump lead connections as follows:
 1. Connect one end of the first jump lead to the positive (+) terminal of the flat battery (1).
 2. Connect the other end to the positive (+) terminal of the booster battery (2).
 3. Connect one end of the second jump lead to the negative (-) terminal of the booster battery (2).
 4. Make the final connection to an unpainted, heavy metal part (i.e. engine mount bracket (3) of the engine of the vehicle with the flat battery (1).

⚠ WARNING

Never connect the jump lead directly to the negative (-) terminal of the discharged battery, or an explosion may occur.

⚠ CAUTION

Connect the jump lead to the engine mount bracket securely. If the jump lead disconnects from the engine mount bracket because of vibration at the start of the engine, the jump lead could be caught in the drive belts.

- 4) If the booster battery you are using is fitted to another vehicle, start the engine of the vehicle with the booster battery. Run the engine at moderate speed.
- 5) Start the engine of the vehicle with the flat battery.
- 6) Remove the jump leads in the exact reverse order in which you connected them.

Towing

If you need to have your vehicle towed, contact a professional service. Your dealer can provide you with detailed towing instructions.

NOTICE

To help avoid damage to your vehicle during towing, proper equipment and towing procedures must be used.

2-Wheel Drive (2WD) Automatic Transaxle

Automatic transaxle vehicles may be towed using either of the following methods.

- 1) From the front, with the front wheels lifted and the rear wheels on the ground. Before towing, make sure that the parking brake is released.
- 2) From the rear, with the rear wheels lifted and a dolly under the front wheels.

NOTICE

Towing the 2WD vehicle with the front wheels on the ground can result in damage to the automatic transaxle.

If the Starter Does Not Operate

- 1) Try turning the ignition switch to the "START" position or try pressing the engine switch to change the ignition mode to "START" with the headlights turned on to determine the battery condition. If the headlights go excessively dim or go off, it usually means that either the battery is flat or the battery terminal contact is poor. Recharge the battery or correct battery terminal contact as necessary.
- 2) If the headlights remain bright, check the fuses. If the reason for failure of the starter is not obvious, there may be a major electrical problem. Have the vehicle inspected by your authorized SUZUKI dealer.

If the Engine is Flooded

(Vehicle with Keyless Push Start System)

If the engine is flooded with gasoline, it may be hard to start. If this happens, press the accelerator pedal all the way to the floor and hold it there while cranking the engine.

Do not operate the starter motor for more than 12 seconds.

NOTE:

If the engine refuses to start, the starter motor automatically stops after a certain period of time. After the starter motor has automatically stopped or there is anything abnormal in the engine starting system, the starter motor runs only while the engine switch is held pressed.

If the Engine Overheats

The engine could overheat temporarily under severe driving conditions. If the engine coolant temperature gauge indicates overheating during driving:

- 1) Turn off the air conditioner, if equipped.
- 2) Take the vehicle to a safe place and park.
- 3) Let the engine run at the normal idle speed for a few minutes until the indicator is within the normal, acceptable temperature range between "H" and "C".

▲ WARNING

If you see or hear escaping steam, stop the vehicle in a safe place and immediately turn off the engine to let it cool. Do not open the hood when steam is present. When the steam can no longer be seen or heard, open the hood to see if the coolant is still boiling. If it is, you must wait until it stops boiling before you proceed.

If the temperature indication does not come down to within the normal, acceptable range:

- 1) Turn off the engine and check that the water pump belt and pulleys are not damaged or slipping. If any abnormality is found, correct it.
- 2) Check the coolant level in the reservoir. If it is found to be lower than the "LOW" line, look for leaks at the radiator, water pump, and radiator and heater hoses. If you locate any leaks that may have caused the overheating, do not run the engine until these problems have been corrected.
- 3) If you do not find a leak, carefully add coolant to the reservoir and then the radiator, if necessary. (Refer to "Engine Coolant" in the "INSPECTION AND MAINTENANCE" section.)

NOTE:

If your engine overheats and you are unsure what to do, contact your SUZUKI dealer.



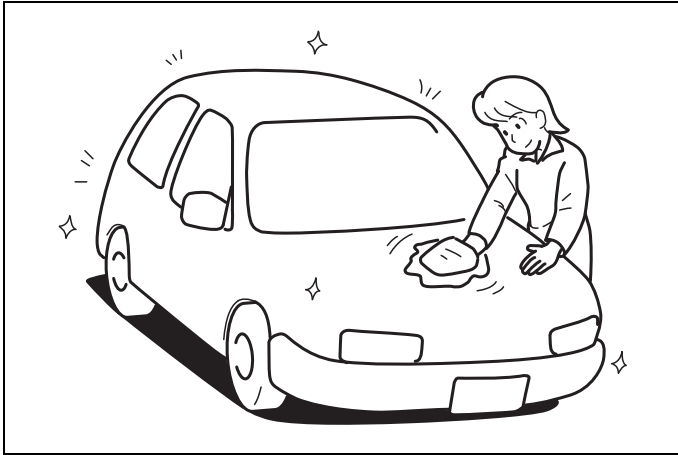
79J007

⚠ WARNING

- It is hazardous to remove the radiator cap when the water temperature is high, because scalding fluid and steam may be blown out under pressure. The cap should only be taken off when the coolant temperature has lowered.
- To help prevent personal injury, keep hands, tools and clothing away from the engine cooling fan and air-conditioner fan (if equipped). These electric fans can automatically turn on without warning.

APPEARANCE CARE

Corrosion Prevention	9-1
Vehicle Cleaning	9-2



60G412

Corrosion Prevention

It is important to take good care of your vehicle to protect it from corrosion. Listed below are instructions for how to maintain your vehicle to prevent corrosion. Please read and follow these instructions carefully.

Important Information About Corrosion

Common causes of corrosion

- 1) Accumulation of road salt, dirt, moisture, or chemicals in hard-to-reach areas of the vehicle underbody or frame.
- 2) Chipping, scratches and any damage to treated or painted metal surfaces resulting from minor accidents or abrasion by stones and gravel.

Environmental conditions which accelerate corrosion

- 1) Road salt, dust control chemicals, sea air or industrial pollution will all accelerate the corrosion of metal.
- 2) High humidity will increase the rate of corrosion particularly when the temperature range is just above the freezing point.
- 3) Moisture in certain areas of a vehicle for an extended period of time may promote corrosion even though other body sections may be completely dry.

- 4) High temperatures will cause an accelerated rate of corrosion to parts of the vehicle which are not well ventilated to permit quick drying.

This information illustrates the necessity of keeping your vehicle (particularly the underbody) as clean and dry as possible. It is equally important to repair any damage to the paint or protective coatings as soon as possible.

How to Help Prevent Corrosion

Wash your vehicle frequently

The best way to preserve the finish on your vehicle and to help avoid corrosion is to keep it clean with frequent washing.

Wash your vehicle at least once during the winter and once immediately after the winter. Keep your vehicle, particularly the underside, as clean and dry as possible.

If you frequently drive on salted roads, your vehicle should be washed at least once a month during the winter. If you live near the ocean, your vehicle should be washed at least once a month throughout the year.

For washing instructions, refer to the "Vehicle Cleaning" section.

Remove foreign material deposits

Foreign material such as salts, chemicals, road oil or tar, tree sap, bird droppings and industrial fall-out may damage the finish of your vehicle if it is left on painted surfaces. Remove these types of deposits as quickly as possible. If these deposits are difficult to wash off, an additional cleaner may be required. Be sure that any cleaner you use is not harmful to painted surfaces and is specifically intended for your purposes. Follow the manufacturer's directions when using these special cleaners.

Repair finish damage

Carefully examine your vehicle for damage to the painted surfaces. Should you find any chips or scratches in the paint, touch them up immediately to prevent corrosion from starting. If the chips or scratches have gone through to the bare metal, have a qualified body shop make the repair.

Keep passenger and luggage compartments clean

Moisture, dirt or mud can accumulate under the floor mats and may cause corrosion. Occasionally, check under these mats to ensure that this area is clean and dry. More frequent checks are necessary if the vehicle is used off road or in wet weather.

Certain cargos such as chemicals, fertilizers, cleaners, salts, etc. are extremely corrosive by nature. These products should be transported in sealed containers. If a

spill or leak does occur, clean and dry the area immediately.

Store your vehicle in a dry, well-ventilated area

Do not park your vehicle in a damp, poorly ventilated area. If you often wash your vehicle in the garage or if you frequently drive it in when wet, your garage may be damp. The high humidity in the garage may cause or accelerate corrosion. A wet vehicle may corrode even in a heated garage if the ventilation is poor.

⚠ WARNING

Do not apply additional undercoating or rust preventive coating on or around exhaust system components such as the catalytic converter, exhaust pipes, etc. A fire could be started if the undercoating substance becomes overheated.

Vehicle Cleaning



76G044S

⚠ WARNING

When cleaning the interior or exterior of the vehicle, NEVER USE flammable solvents such as lacquer thinners, gasoline, benzene or cleaning materials such as bleaches or strong household detergents. The materials could cause personal injury or damage to the vehicle.

Cleaning the Interior

Vinyl upholstery

Prepare a solution of soap or mild detergent mixed with warm water. Apply the solution to the vinyl with a sponge or soft cloth and let it soak for a few minutes to loosen dirt. Rub the surface with a clean, damp cloth to remove dirt and the soap solution. If some dirt still remains on the surface, repeat this procedure.

Fabric upholstery

Remove loose dirt with a vacuum cleaner. Using a mild soap solution, rub stained areas with a clean damp cloth. To remove soap, rub the areas again with a cloth dampened with water. Repeat this until the stain is removed, or use a commercial fabric cleaner for tougher stains. If you use a fabric cleaner, carefully follow the manufacturer's instructions and precautions.

APPEARANCE CARE

Leather upholstery

Remove loose dirt with a vacuum cleaner. Using a mild soap or saddle soap solution, wipe dirt off with a clean damp soft cloth. To remove soap, wipe the areas again with a soft cloth dampened with water. Wipe the areas dry with a soft dry cloth. Repeat this until the dirt or stain is removed, or use a commercial leather cleaner for tougher dirt or stains. If you use a leather cleaner, carefully follow the manufacturer's instructions and precautions. Do not use solvent type cleaners or abrasive cleaners.

NOTE:

- *In order to keep leather upholstery looking good, it should be cleaned at least twice a year.*
- *If leather upholstery becomes wet, immediately wipe it dry with tissue paper or a soft cloth. Water may cause leather to harden and shrink if it is not wiped off.*
- *When parking on sunny days, select a shady place or use a sunshade. If leather upholstery is exposed to direct sunlight for a long time, it may discolor and shrink.*
- *As is common with natural materials, leather is inherently irregular in grain and cowhide has spots in its natural state. These do not affect the performance of the leather in any way.*

Seat belts

Clean seat belts with a mild soap and water. Do not use bleach or dye on the belts. They may weaken the fabric in the belts.

Vinyl floor mats

Ordinary dirt can be removed from vinyl with water or mild soap. Use a brush to help loosen dirt. After the dirt is loosened, rinse the mat thoroughly with water and dry it in the shade.

Carpets

Remove dirt and soil as much as possible with a vacuum cleaner. Using a mild soap solution, rub stained areas with a clean damp cloth. To remove soap, rub the areas again with a cloth dampened with water. Repeat this until the stain is removed, or use a commercial carpet cleaner for tougher stains. If you use a carpet cleaner, carefully follow the manufacturer's instructions and precautions.

Instrument panel and console

Remove loose dirt with a vacuum cleaner. Gently wipe dirt off with a tightly squeezed damp clean cloth. Repeat this until the dirt is removed.

NOTICE

Do not use chemical products that contain silicon to wipe electrical components such as the air conditioning system, audio, navigation system, or other switches. These will cause damage to the components.

Cleaning the Exterior

NOTICE

It is important that your vehicle be kept clean and free from dirt. Failure to keep your vehicle clean may result in fading of the paint or corrosion to various parts of the vehicle body.

Caring for Aluminum Wheels

NOTE:

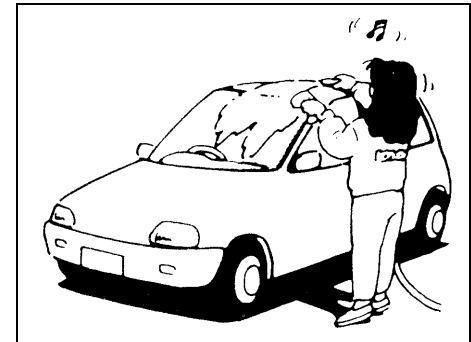
- Do not use an acidic or alkaline detergent, or a cleaner containing petroleum solvent to wash aluminum wheels. These types of cleaner will cause permanent spots, discoloration and cracks on finished surfaces and damage to center caps.
- Do not use a bristle brush and soap containing an abrasive material. These will damage finished surfaces.

Washing

⚠ WARNING

- Never attempt to wash and wax your vehicle with the engine running.
- When cleaning the underside of the body and fender, where there may be sharp-edged parts, you should wear gloves and a long-sleeved shirt to protect your hands and arms from being cut.
- After washing your vehicle, carefully test the brakes before driving to make sure they have maintained their normal effectiveness.

Washing by hand



60B212S

When washing the vehicle, park it in the place where direct sunlight does not fall on it and follow the instructions below:

- 1) Flush the underside of body and wheel housings with pressurized water to remove mud and debris. Use plenty of water.

NOTICE

When washing the vehicle:

- Avoid directing steam or hot water of more than 80°C (176°F) on plastic parts.
- To avoid damaging engine components, do not use pressurized water in the engine compartment.

APPEARANCE CARE

- 2) Rinse the body to loosen the dirt. Remove dirt and mud from the body exterior with running water. You may use a soft sponge or brush. Do not use hard materials which can scratch the paint or plastic. Remember that the headlight covers or lenses are made of plastic in many cases.

NOTICE

To avoid damage to the paint or plastic surface, do not wipe the dirt off without ample water. Be sure to follow above procedure.

- 3) Wash the entire exterior with a mild detergent or car wash soap using a sponge or soft cloth. The sponge or cloth should be frequently soaked in the soap solution.

NOTICE

When using a commercial car wash product, observe the cautions specified by the manufacturer. Never use strong household detergents or soaps.

- 4) Once the dirt has been completely removed, rinse off the detergent with running water.
- 5) After rinsing, wipe off the vehicle body with a wet chamois or cloth and allow it to dry in the shade.

- 6) Check carefully for damage to painted surfaces. If there is any damage, “touch-up” the damage following the procedure below:

1. Clean all damaged spots and allow them to dry.
2. Stir the paint and “touch-up” the damaged spots lightly using a small brush.
3. Allow the paint to dry completely.

Washing by an automatic car wash

NOTICE

If you use an automatic car wash, make sure that your vehicle’s body parts, such as spoilers, cannot be damaged. If you are in doubt, consult the car wash operator for advice.

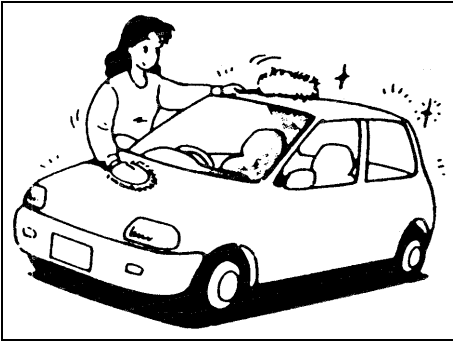
Washing by a high-pressure cleaner

NOTICE

If you use a high-pressure cleaner, keep away the nozzle from your vehicle sufficiently.

- **Bringing the nozzle to your vehicle too close or pointing the nozzle to the opening of front grill or bumper etc. can cause damage and malfunction of the vehicle body and parts.**
- **Pointing the nozzle to the weather-strip of door glasses, doors and the sunroof (if equipped) can allow water to enter the cabin.**

Waxing



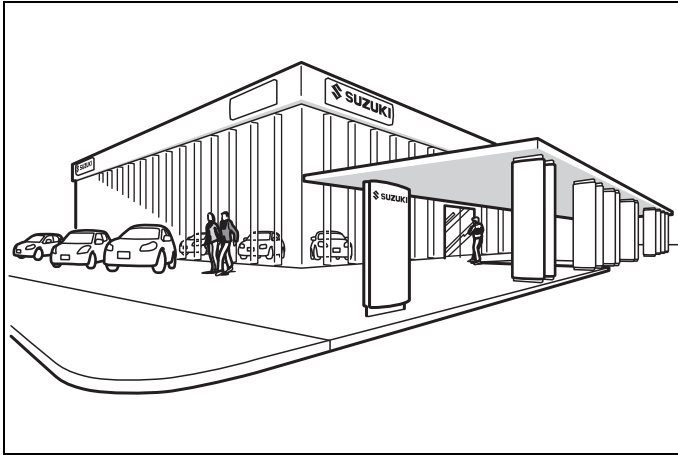
60B211S

After washing the vehicle, waxing and polishing are recommended to further protect and beautify the paint.

- Only use waxes and polishes of good quality.
- When using waxes and polishes, observe the precautions specified by the manufacturers.

GENERAL INFORMATION

Vehicle Identification 10-1



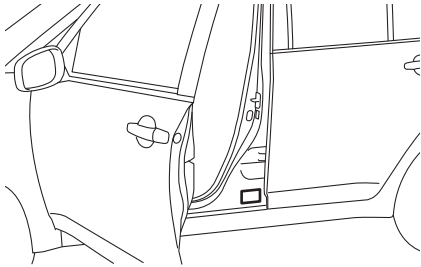
84MM01001

GENERAL INFORMATION

Vehicle Identification

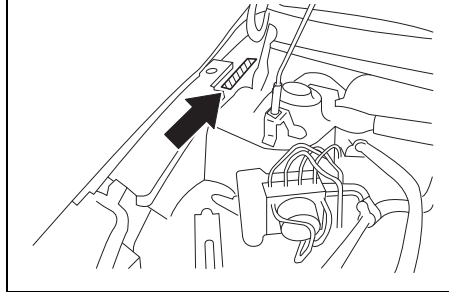
Chassis Serial Number

EXAMPLE



79MS01001

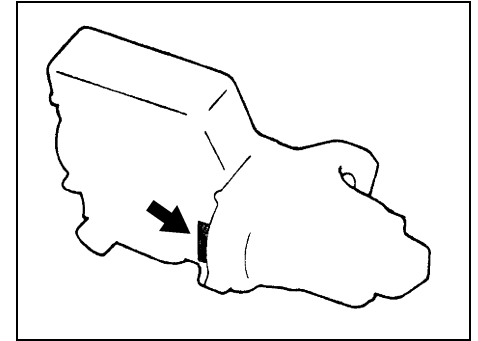
EXAMPLE (for some vehicles)



79PS112

The chassis and/or engine serial numbers are used to register the vehicle. They are also used to assist your dealer when ordering or referring to special service information. Whenever you have occasion to consult your SUZUKI dealer, remember to identify your vehicle with this number. Should you find the number difficult to read, you will also find it on the identification plate.

Engine Serial Number



60G128

The engine serial number is stamped on the cylinder block as shown in the illustration.

SPECIFICATIONS

NOTE:

Specifications are subject to change without notice.

M/T: Manual transaxle

A/T: Automatic transaxle

ITEM: Dimensions		UNIT: mm (in.)
Overall length	Without aero parts	4490 (176.7)
	With aero parts	4505 (177.3)
Overall width		1730 (68.1)
Overall height		1475 – 1485 (58.1 – 58.5)
Wheelbase		2650 (104.3)
Track	Front	1495 (58.9)
	Rear	1505 (59.3)
Ground clearance		160 – 170 (6.3 – 6.7)

ITEM: Mass (weight)		UNIT: kg (lbs)
Curb mass (weight)		1005 – 1040 (2216 – 2293)
Gross vehicle mass (weight) rating		1485 – 1490 (3274 – 3285)
Permissible maximum Axle Weight	Front	745 (1642)
	Rear	780 (1720)

SPECIFICATIONS

ITEM: Engine	
Type	K14B (DOHC)
Number of cylinders	4
Bore	73.0 mm (2.87 in.)
Stroke	82.0 mm (3.23 in.)
Piston displacement	1373 cm ³ (1373 cc, 83.8 cu.in)
Compression ratio	11.0 : 1

ITEM: Electrical	
Standard spark plug	NGK LKR6F-10
Battery	38B20L
Fuses	See "INSPECTION AND MAINTENANCE" section.

SPECIFICATIONS

ITEM: Lights		WATTAGE	BULB No.
Headlight	High beam	12V 55W	H7
	Low beam	12V 55W	H11
Front fog light (if equipped)		12V 55W	H11
Position light		12V 5W	W5W
Turn signal light	Front	12V 21W	WY21W
	Rear	12V 21W	PY21W
Side turn signal light (on fender)		12V 5W	WY5W
Side turn signal light (on outside rearview mirror)		LED	–
Tail/brake light		12V 21/5W	P21/5W
High mount stop light		LED	–
Reversing light		12V 16W	W16W
License plate light		12V 5W	W5W
Rear fog light (if equipped)		12V 21W	P21W
Interior light	Instrument panel pocket light	LED	–
	Front	12V 5W	–
	Center	12V 10W	–
	Trunk lid light	12V 5W	–

SPECIFICATIONS

ITEM: Wheels and Tires	
Tire size, front and rear	195/55R16 87H ^{*1}
Rim size	195/55R16 tire: 16X6J
Tire pressures	For the specified tire pressure, see the Tire Information Label located on the driver's door lock pillar.
Recommended snow tire	195/55R16 ^{*2}

*1 If you cannot prepare tires with the specified load index rate and speed symbol, prepare tires with higher load index rate and speed symbol.

*2 If you prepare snow tires;

- Make sure they are tires of the same size, structure and load capacity as the originally installed tires.
- Mount the snow tires on all four wheels.
- Please understand that the maximum permissible speed of snow tires is generally less than the originally installed tires.

Consult your SUZUKI dealer or supplier for further information.

ITEM: Recommended Fuel/Lubricants and Capacities (approx.)			
Fuel		See "FUEL RECOMMENDATION" section.	42 L (9.2 Imp gal)
Engine oil		Classification: API SG, SH, SJ, SL, SM or SN Viscosity: SAE 5W-30	3.1 L (5.5 Imp pt) (replacement with oil filter)
Engine coolant	4A/T	See "INSPECTION AND MAINTENANCE" section.	4.8 L (8.4 Imp pt) (including reservoir tank)
Manual transaxle oil		"SUZUKI GEAR OIL 75W-80"	2.6 L (4.6 Imp pt)
Automatic transaxle fluid		SUZUKI AT OIL AW-1	5.0 L (8.8 Imp pt)
Brake fluid/Clutch fluid		SAE J1703 or DOT3	Refill to the proper oil level according to the instructions in the "INSPECTION AND MAINTENANCE" section.

INDEX

Symbols

“AIR BAG” Light 2-39, 2-59

“CRUISE” Indicator Light 2-63

“SET” Indicator Light 2-63

Numerics

4-Speed Automatic Transaxle 3-14

A

Accelerator Pedal 3-10

Accessory Socket 5-7

Adding Coolant 7-12

Air Cleaner 7-13

Air Conditioning System 7-35

Anti-Lock Brake System (ABS) 3-26

Anti-Lock Brake System (ABS) Warning Light 2-57

Anti-Theft Feature 5-60

Assist Grips 5-8

Audio System (Type A) 5-25

Auto Dimming Rearview Mirror 2-18

Automatic Heating and Air Conditioning System
(Climate Control)..... 5-18

Automatic Transaxle 3-14

Automatic Transaxle (AT) Fluid 7-14

AUX Function 5-46

AUX/USB Socket 5-8

Average fuel consumption..... 2-52

B

Battery 7-21

Bluetooth® audio 5-56

Bluetooth® Hands-Free 5-48

Brake Assist System..... 3-26

Brake Fluid..... 7-15

Brake Pedal..... 3-9, 7-16

Brake System Warning Light 2-56

Brakes 7-15

Braking 3-25

Brightness Control..... 2-47

Bulb Replacement..... 7-26

C

Catalytic Converter 4-1

Central Door Locking System..... 2-3

Changing Engine Oil and Filter..... 7-9

Changing Wheels 8-4

Charging Light..... 2-58

Chassis Serial Number 10-1

Child Restraint Systems..... 2-29

Child-Proof Locks (rear door)..... 2-4

Clock 2-53

Coat Hooks 5-9

Coolant Level Check..... 7-12

Coolant Replacement 7-13

Corrosion Prevention 9-1

Cup Holder and Storage Area 5-10

D

Daily Inspection Checklist..... 3-1

Door Locks 2-2

Drive Belt 7-7

Driver’s Pocket 5-10

Driver’s Seat Belt Reminder..... 2-28

Driver’s Seat Belt Reminder Light 2-58

Driving on Hills..... 4-3

INDEX

Driving on Slippery Roads.....	4-4
Driving range.....	2-53
E	
Electric Mirrors	2-19
Electric Power Steering Light.....	2-61
Electric Window Controls	2-15
Emergency Locking Retractor (ELR)	2-25
Engine Coolant	7-11
Engine Hood.....	5-2
Engine Oil and Filter.....	7-7
Engine Oil Consumption.....	3-2
Engine Serial Number	10-1
Engine Switch	3-3
Exhaust Gas Warning.....	3-1
F	
Floor Mats.....	5-13
Fluid Level Check	7-14
Footrest	5-13
Frame Hooks	5-14
Front Air Bags.....	2-39
Front Armrest with Console Box.....	5-11
Front Bottle Holder	5-11
Front Bottle Holders	5-11
Front Fog Light	7-28
Front Fog Light Switch.....	2-64
Front Position Light.....	7-28
Front Seat Back Pocket.....	5-12
Front Seats	2-20
Front Turn Signal Light.....	7-28
Fuel Filler Cap	5-1
Fuel Gauge	2-46

Fuel Recommendation.....	1-1
Fuses.....	7-22
Fuses in the Engine Compartment.....	7-22
Fuses under the Dash Board	7-24
G	
Gasoline/Ethanol blends	1-1
Gasoline/Methanol blends.....	1-1
Glove Box	5-9
H	
Halogen headlights	7-26
Hazard Warning Switch	2-67
Head Restraints	2-22
Headlight Leveling Switch.....	2-65
Heated Rear Window Switch.....	2-69
Heating and Air Conditioning System.....	5-15
Highway Driving	4-3
Horn.....	2-69
How the ABS Works.....	3-28
I	
If the Engine is Flooded.....	8-7
If the Engine Overheats	8-7
If the Starter Does Not Operate.....	8-6
If Your Vehicle Gets Stuck	4-5
Ignition Key Reminder	2-2
Immobilizer System	2-1
Immobilizer/Keyless Push Start System Warning Light	2-60
Improving Fuel Economy	4-2
Information Display.....	2-48
Inside Rearview Mirror.....	2-18
Installation of Child Restraint with Top Tether	2-35

Installation of Radio Frequency Transmitters 5-24

Installation with ISOFIX Type Anchorages..... 2-32

Installation with Lap-Shoulder Seat Belts 2-32

Instantaneous Fuel Consumption..... 2-51

Instrument Cluster 2-45

Instrument Panel Pocket..... 5-10

Interior Light..... 5-5, 7-31

Interior Workable Area for Engine Starting,
Ignition Mode Selection and
“Remote Controller Outside” Warning 3-7

J

Jacking Instructions..... 8-1

Jump Starting Instructions 8-5

K

Keyless Push Start System 3-4

Keyless Push Start System Remote Controller 2-5

Keys 2-1

L

Lap Belt..... 2-27

Lap-Shoulder Belt..... 2-25

License Plate Light 7-30

Lighting Control Lever 2-63

Lighting Operation..... 2-63

Lights “On” reminder 2-64

Listening to a CD 5-33

Listening to an iPod® 5-43

Listening to an MP3/WMA/AAC Disc 5-36

Listening to files stored in a USB device 5-40

Listening to the Radio 5-31

Low Fuel Warning Light..... 2-60

M

Main Beam (high beam) Indicator Light..... 2-61

Maintenance Schedule 7-2

Malfunction Indicator Light 2-59

Mirrors 2-18

O

Odometer 2-53

Oil Level Check 7-8

Oil Pressure Light 2-58

Open Door Warning Light 2-60

Outside Rearview Mirrors..... 2-19

Outside Rearview Mirrors Folding Switch 2-20

P

Parking Brake 7-17

Parking Brake Lever 3-8

Parking Sensors 3-16

Pedal..... 3-9

Periodic Maintenance Schedule 7-2

Pinching Prevention Function 2-17

Power-Assisted Brakes 3-26

R

Radio Antenna..... 5-24

Rear Armrest with Cup Holders..... 5-12

Rear Bottle Holder..... 5-11

Rear Combination Light 7-29

Rear Fog Light..... 7-31

Rear Fog Light Indicator Light..... 2-62

Rear Fog Light Switch 2-64

Rear Seats..... 2-22







Rearview Camera 3-22

INDEX

Refill with Oil and Check for Leaks	7-11	Temperature Gauge	2-47
Refilling	7-8	Temporary Spare Tire	7-20
Remote Audio Controls	5-66	Theft Deterrent Alarm System	2-12
Replace the Oil Filter	7-10	Thermometer	2-49
Replacement of the Battery	2-11	Tilt Steering Lock Lever	2-68
Reversing Light	7-29	Tire Chains	4-4
Running-in	4-1	Tire Changing Tool	8-1
S		Tire Inspection	7-18
Seat Adjustment	2-20	Tire Rotation	7-20
Seat Belt Inspection	2-29	Tires	7-18
Seat Belt Pretensioner System	2-36	Towing	8-6
Seat Belts and Child Restraint Systems	2-23	Towing Your Vehicle (recreational towing)	6-2
Seat height adjustment lever	2-21	Trailer Towing	6-1
Seat position adjustment lever	2-21	Transaxle selector position indicator (for automatic transaxle vehicles)	2-49
Seatback angle adjustment lever	2-21	Transaxle Warning Light	2-59
Selection of Coolant	7-11	Trip meter	2-51
Selection of Ignition Modes	3-5	Trunk Lid	2-4
Shoulder Anchor Height Adjuster	2-28	Turn Signal Control Lever	2-65
Side Door Locks	2-2	Turn Signal Indicators	2-61
Spark Plugs	7-13	Turn Signal Operation	2-66
SPECIFICATIONS	11-1	U	
Specified Fluid	7-14	Using the Transaxle	3-14
Specified Oil	7-7	V	
Speedometer	2-46	Vehicle Cleaning	9-2
Starting the Engine		Vehicle Identification	10-1
(Vehicle with Keyless Push Start System)	3-10	Vehicle Loading	6-1
Steering	7-18	W	
Sun Visor	5-4	Warning and Indicator Lights	2-56
Supplemental Restraint System (air bags)	2-38	Washing	9-4
T		Waxing	9-6
Tachometer	2-46		

Windows 2-15
Windshield Washer..... 2-68
Windshield Washer Fluid 7-34
Windshield Wiper and Washer Lever..... 2-67
Windshield Wipers..... 2-67
Wiper Blades 7-32

BATTERY LABEL SYMBOL MEANINGS

	No smoking, no naked flames, no sparks		Battery acid
	Shield eyes		Note operating instructions
	Keep away from children		Explosive gas

Prepared by
SUZUKI (MYANMAR) MOTOR CO., LTD.

February, 2017

Part No. 99011-79PS1-84E
Printed in Myanmar

TP370

SERVICE STATION INFORMATION

Fuel recommendation:

See page 1-1

Engine oil recommendation:

Classification: API SG, SH, SJ, SL, SM or SN

Viscosity: SAE **5W-30**, 10W-30, 10W-40, 15W-40, 20W-40

For further details, see “Engine Oil and Filter” in the “INSPECTION AND MAINTENANCE” section.

Brake and clutch fluid:

DOT3 or SAE J1703

Automatic transaxle fluid:

SUZUKI AT OIL AW-1

Tire cold pressure:

See the “Tire Information Label” located on the driver’s door lock pillar.



99011-79PS1-84E

